

Technical Handbook

Waterproofing System Solutions for tiled wet rooms





Right by your side wherever you are.

wedi – always close by

From Emsdetten in Germany and Europe to North America wedi has close ties to the world of building and renovation. Thanks to our extensive presence, we are always in the position to react quickly and without complications to the requirements of our customers. A large number of notable companies in Germany and abroad benefit from the innovative development of our product systems, partly because we know the needs of our contractors like the back of our hands. Wherever you are in the building industry, we are right by your side with expertise, performance and passion. Leading you to success. Now proudly producing in the USA in Batavia, Illinois. We also service our North - American customers from our two logistics centers in Batavia and in Sacramento, California.

- USA
- Canada
- Australia
- Austria
- Belgium
- Bosnia Herzegovina
- Croatia
- Czech Republic
- Denmark
- Estonia
- Finland
- France
- Germany
- Great Britain
- Greece
- Hungary
- Iceland
- Ireland
- Israel
- Italy
- Japan
- Latvia
- Lithuania
- Luxembourg
- Netherlands
- New Zealand
- Norway
- Poland
- Portugal
- Romania
- Russia
- Serbia
- Slovenia
- Spain
- Sweden
- Switzerland
- Turkey
- Ukraine



Stephan Wedi

Managing Director, wedi GmbH

The value of strong partnerships is shown in the added value of our product and support.

For contractors

- System technology saves time and money
- All solutions are 100 % waterproof and mold proof – with manufacturer's guarantee
- Perfected complete solutions with over 30 years of practical experience
- Premium Warranty Protection Programs: 10, 15, 20 years of extensive incident coverage
- The modular system and the possibilities of easy and clean customizing creates new areas of activity – and therefore additional business
- Underlayment solutions to perfectly prepare any suitable substrate for tile, stone and many other finishes
- Competitive advantages through new ideas for bathroom and spa projects
- Hands-on and online certification programs
- Expert consultation in the field and on the job – wedi sales representatives and management are entirely technical in background and education
- wedi Shower Systems are certified to meet local, state or federal building codes and requirements
- wedi provides a safe product to work with and publishes Safety Data Sheets accordingly

"My guys are using only wedi" **Bryan Baeumler**, host of "Leave it to Bryan" and "House of Bryan" known from HGTV and DIY Network Channels.



For builders & architects

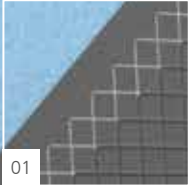
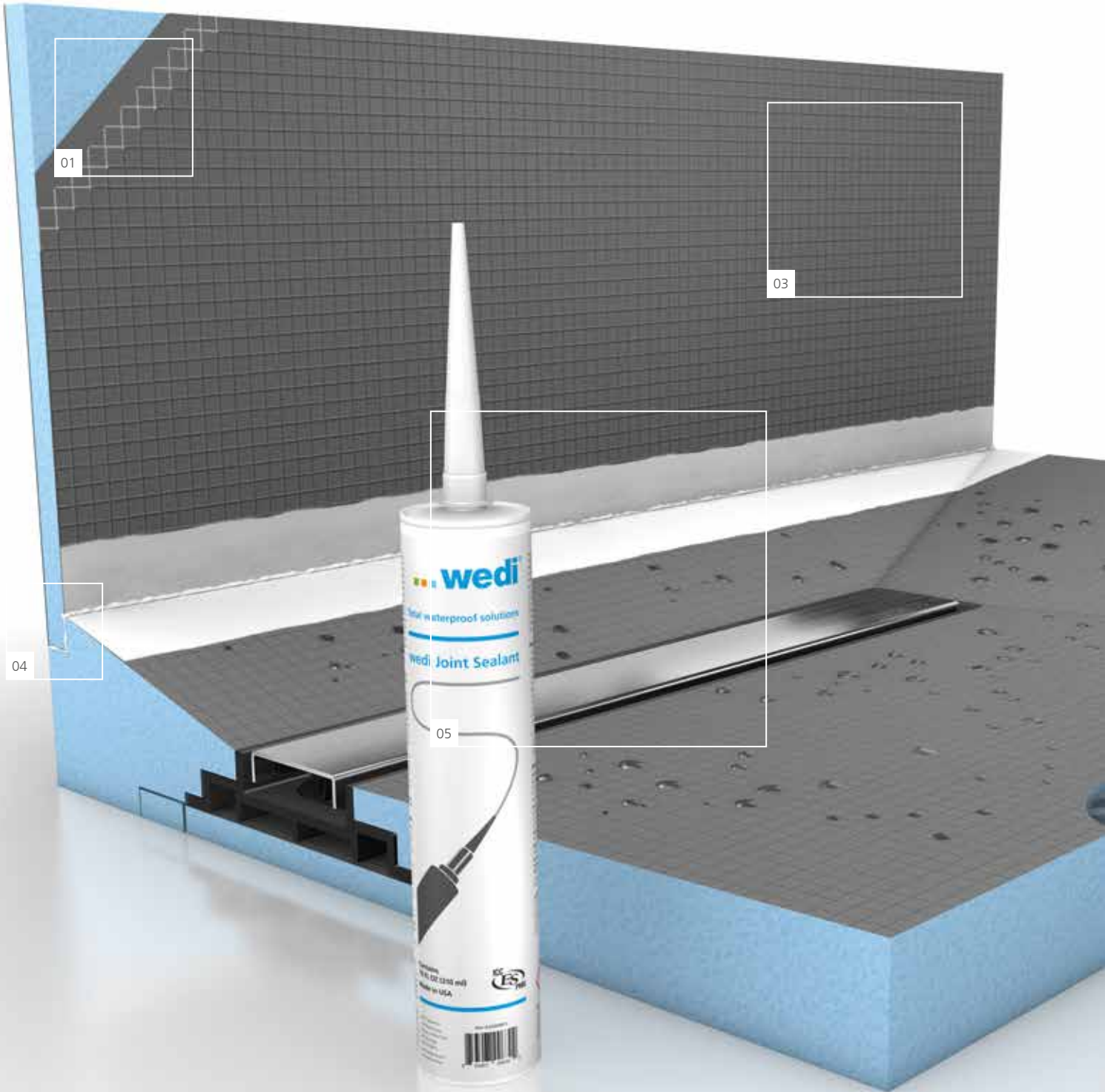
- Inspiration and ideas for individual design possibilities within a system
- Secure and coordinated problem-solvers, also able to be implemented on difficult substructures
- Fast-track renovations and new residential or commercial construction
- Clean and modular, easy to plan
- Long-term protection from moisture and mold, especially in wet rooms
- Significant reduction in energy costs thanks to integrated heat insulation
- Masterspecs and BIM objects available on www.wedicorp.com
- CEU classes offered in-house and as webinars
- wedi Shower Systems meet local, state and federal building codes including the International Residential Code (IRC) and the International (Commercial) Building Code (IBC)
- wedi Shower Systems are tested and certified to meet UL and NFPA fire safety guidelines with class A rating and may be used in Type I and II buildings
- wedi provides a safe product to work with and publishes Safety Data Sheets accordingly



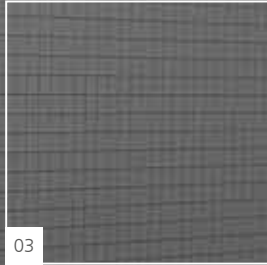
For distributors & wholesalers

- Attractive, additional business thanks to the diversity of the product range
- Replaces many singular products, parts or pieces and offers the promotion of one complete shower system- out of the box
- Innovative and complete product systems with Quality Assurance-, Building Code- and Industry Standards Compliance Certification
- Clear and fully protective warranty by wedi
- Expert consultation and technical support; in-house and in the field
- Sensible POS tools with targeted representation of product benefits
- Sales and marketing documents, both in digital and printed form
- wedi actively works with contractors supporting distributor sales
- wedi upgrades your quality product offering. wedi is not cheap. It is less expensive when its added value makes the bottom line cost for our contractors and builders
- The product system is easily and cleanly stored, explained, estimated, picked, packed and loaded





01



02



03



04



05

wedi – Only real with a blue core

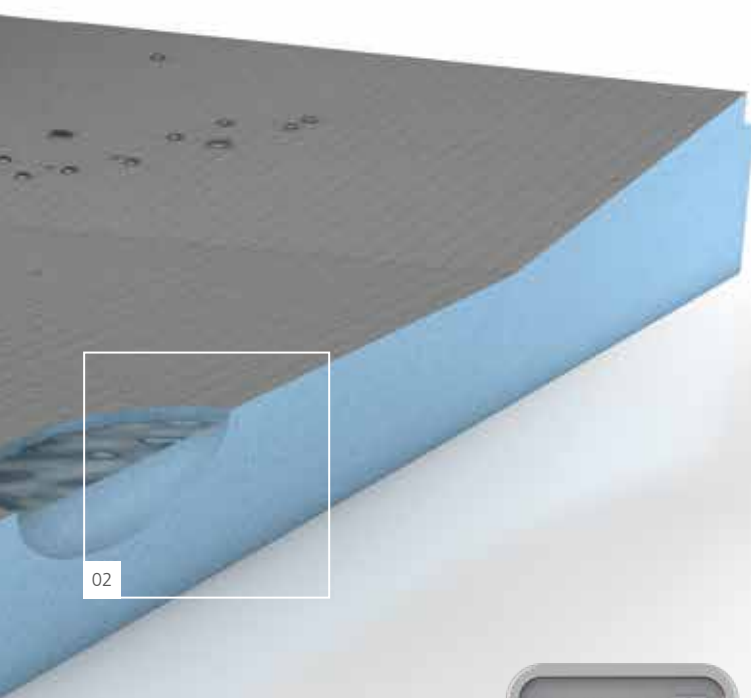
01 wedi Building Panels' reinforced cement resin surface offers a superior bond surface to virtually any tile and stone or tile adhesive. No delamination, no surprises.

02 The blue XPS core is 100% waterproof and remains fully functional even after possible partial damage. Our XPS brand foam is specially engineered for 100% consistency of its closed cell structure.

03 wedi product surfaces include specially designed and manufactured fiberglass mesh, full embedded in the coating. It won't break and it offers the wedi typical gritty structure for perfect tile adhesion.

04 wedi Building Panels can be safely adhered and sealed in assemblies using wedi Joint Sealant's: strong reinforcement and internal strength, high adhesion and waterproofing qualities with virtually no build up as with conventional taping. As no other seal is necessary, craftsmen benefit from increased protection accompanied by a shorter surface preparation time before tiling starts.

05 wedi Building products are CFC, HCFC, HFC free and instead CO₂ is used as extrusion agent. This reduces wedi's Global Warming Impact (GWP) to 1. This compares to GWPs in the thousands, as is common with several HFC generation agents still used today particularly in products made in China. Another crucial benefit of wedi's brand foam is the safe fire behavior but without the use of bioaccumulative un-bonded flame retardants such as HBCD which are still widely used. Instead, bonded polymeric flame retardants (PFR) are used and meet international standards such as REACH and the UN's Stockholm Convention Protocols. wedi Joint Sealant is Polyisocyanate and PVC free, and is a zero VOC sealant.



What does wedi INSIDE offer?

The principle of wedi inside is simple: high-quality tile installations require a substrate that is 100% secure. That's why craftsmen have put their faith in wedi quality for decades, especially as a substrate underneath tiles. 100% waterproof and 100% secure and safe – signed, sealed and guaranteed by wedi.



wedi PRO Certification and 15/20 Year Warranty Program

20 years warranty for a
wedi bathroom system



15 years warranty for
a wedi shower system

10-Year Limited Warranty

wedi Corp. ("wedi") warrants that for a period of 10 years from the date of purchase, all products it sells bearing the wedi name ("Products") shall be free of manufacturing defects and conform to wedi's published specifications, subject to the terms, conditions, and limitations below.

15-Year Limited Warranty and 20-Year Limited Warranty

In certain circumstances defined herein, in lieu of the foregoing 10-Year Limited Warranty, wedi offers a 15-Year Limited Warranty and 20-Year Limited Warranty, pursuant to which wedi warrants the Products shall be free of manufacturing defects and conform to wedi's published specifications for a total of either 15 years or 20 years when installed as part of a "15-Year Warranty Installation" or "20-Year Warranty Installation," by a "PRO Certified Installer," in a "Registered Installation" (as those terms are defined below).

1. 15-Year Warranty Installation means an installation exclusively consisting of the following products:
 - (a) wedi Fundo Shower Base and drain;
 - (b) wedi Building Panels (with wedi vapor barrier, in steamroom and ice room installations);
 - (c) wedi Joint Sealant and Fastener System; and
 - (d) a wedi curb, ramp, or floor entry and floor transition waterproofed by wedi Building Panels or wedi Subliner Dry waterproofing membrane system. wedi Building Panels must be installed to cover all shower walls exposed to water, or any wall surfaces considered wet areas Res2, Res3, Res4, Com2, Com3, or Com4 (as defined by the TCNA Handbook on Ceramic, Glass, and Stone Tile Installation), and must be installed at least 6 " higher than every water inlet or shower head.
2. 20-Year Warranty Installation means an installation meeting the definition of a 15-Year Warranty Installation that also includes:
 - (a) a wedi seat, wedi bench, or wedi niche; and
 - (b) waterproofing of the entire bathroom floor in which the wedi shower system is installed, using wedi Building Panels or wedi Subliner Dry waterproofing membrane system. The wall flashing or waterproofing must cover at least 2 " up the wall surface from the floor.
3. PRO Certified Installer means an individual who has successfully completed wedi PRO Certification classes, and holds a valid certificate as a PRO Certified installer issued by authorized wedi personnel. Unless earlier revoked or terminated, PRO Certification expires on the fourth (4th) anniversary of the date of issuance.
4. Registered Installation means a project in which wedi has been provided the following within thirty (30) days of installation of the Products:
 - (a) Residence/Building Owner Information (name of owner(s); residence/building address);
 - (b) Installer Information (name of installer and company; address and contact information);
 - (c) minimum of two digital photos of the wedi installation (prior to installation of surface coverings), including a close-up of the entire wedi product installation; and
 - (d) copy of the purchase invoice of the Products.

LIMITATIONS ON COVERAGE.

Neither the 10-year limited warranty, 15-year limited warranty, nor the 20-year limited warranty (collectively, "wedi Warranties") apply to:

- (a) Products damaged or misused after leaving wedi's possession;
- (b) Products not handled or stored according to wedi's written guidelines;
- (c) Products not installed in strict compliance with applicable wedi installation guidelines, applicable building codes, and accepted industry standards;
- (d) Products which have undergone a repair, re-installation, or replacement which was not authorized by wedi in writing;
- (e) damage resulting from a defect in a product not sold by wedi and not bearing the wedi name or logo;
- (f) damage resulting from a defect in the structure or component of the structure and/or framing to which the Products were affixed;
- (g) damage resulting from failure to quarantine or take other protective steps to remove hazardous substances such as mold and mildew, and failure to restrict people from accessing areas affected by hazardous substances;
- (h) claims arising from Products which were not installed within 6 months of purchase, or Products installed in buildings which remained vacant for a period of 6 months any time after installation;
- (i) claims arising in buildings vacant for 4 weeks or longer prior to either occurrence or observance of Product's manufacturing defect or damage, or
- (j) any other cause not related to manufacturing defects of the Products.

Follow applicable state or local plumbing codes requiring specific and dimensioned waterproofed areas for a shower system or other wet room installation. Requirements in this manual supersede local plumbing codes; they extend and are not in conflict. wedi Shower Systems or other wet room installations in which non-wedi product is also used require specific project recommendations by wedi and may reduce the extent and installation area of protection offered by wedi's warranty.

WARRANTY COVERAGE.

If, within the applicable warranty period, any Product does not meet wedi's published specifications because of a manufacturing defect, wedi will, at its discretion, take any of the following actions:

- (i) repair or replace the Product;
- (ii) remove, repair, or replace any materials and/or structures attached to or surrounding the installed Product that were damaged as a direct result of the underlying Product's manufacturing defect; and/or
- (iii) refund the cost of the Product. Precise duplicates of surface finish products, such as tile, may not be available, but where applicable, substantially similar products may be used as a substitute. wedi's maximum liability for claims arising after the first 10 year period in connection with the 15-year limited warranty and 20-year limited warranty shall not exceed twenty thousand and 0/100 U.S. dollars (\$20,000.00) per building into which the Products are installed.

No representative, dealer, or any other person is authorized to provide any warranty, representation, condition, or promise on behalf of wedi with respect to the Products. No terms or conditions other than those stated herein or provided by law, and no agreement or understanding, shall modify the wedi Warranties, unless made in writing and signed by an authorized representative of wedi.

EXCLUSIVE REMEDY.

The wedi Warranties contained herein are in lieu of any and all other warranties, express or implied, including the implied warranties of merchantability and fitness for a particular purpose. wedi shall not be responsible for consequential, incidental, indirect, or special damages of any kind, except as expressly provided above. Some states and provinces do not allow the exclusion or limitation of incidental or consequential damages, so the above limitations or exclusions may not apply to you. This Warranty gives you specific legal rights, and you may also have other rights, which vary from state to state, and province to province.

DISCLAIMER FOR INSTALLATION.

wedi only warrants the “products” (as defined above). The wedi warranties do not apply to installation, and wedi makes no representations or warranties regarding the work of any installer, including Pro Certified Installers. Under no circumstances shall wedi be liable for any claim, loss, or damages arising out of the performance of an installer.

NON-TRANSFERABILITY AND CONTINUING WARRANTY COVERAGE.

The wedi Warranties extend only to the installer, developer, and the owner of the residence or building into which the Products are installed at the time of installation (“Claimant”). The wedi Warranties are not transferable or assignable, except upon the transfer of title to the residence or building from a developer to its first non-developer owner, or where required by applicable law. If any Product is repaired or replaced under the wedi Warranties, ongoing warranty coverage (if applicable) shall continue from the original date of purchase, and not the date of the repair or replacement. Warranty coverage under the 15-Year Limited Warranty and the 20-Year Limited Warranty shall continue after a claim is tendered to wedi only if any required repairs, re-installations, or replacement of Products are performed by a wedi PRO Certified Installer.

CONDITION TO WARRANTY COVERAGE AND NOTICE TO WEDI.

In addition to the other limitations stated herein, wedi shall have no obligations under the wedi Warranties unless notified in writing, within sixty (60) days of the discovery of any potential claim, at:

wedi Corp. c/o Customer Service
1160 Pierson Dr. Batavia, IL 60510
(p): (877) 933-WEDI (9334)
(f): (847) 357-9819

wedi shall be allowed a reasonable amount of time, and be authorized to perform testing, as it deems necessary, to investigate all claims. wedi shall not be responsible for any damage resulting from such investigation or testing. As a condition of warranty coverage, upon wedi’s request, Claimant shall provide wedi copies of all invoices for the Products, the surrounding building materials, and their installation. Manufacturer: wedi GmbH – Made in Germany; Represented in USA, Canada and Australia by wedi Corporation. Publication of warranty statement and effective date: 8/1/2016 updated 11/1/2018

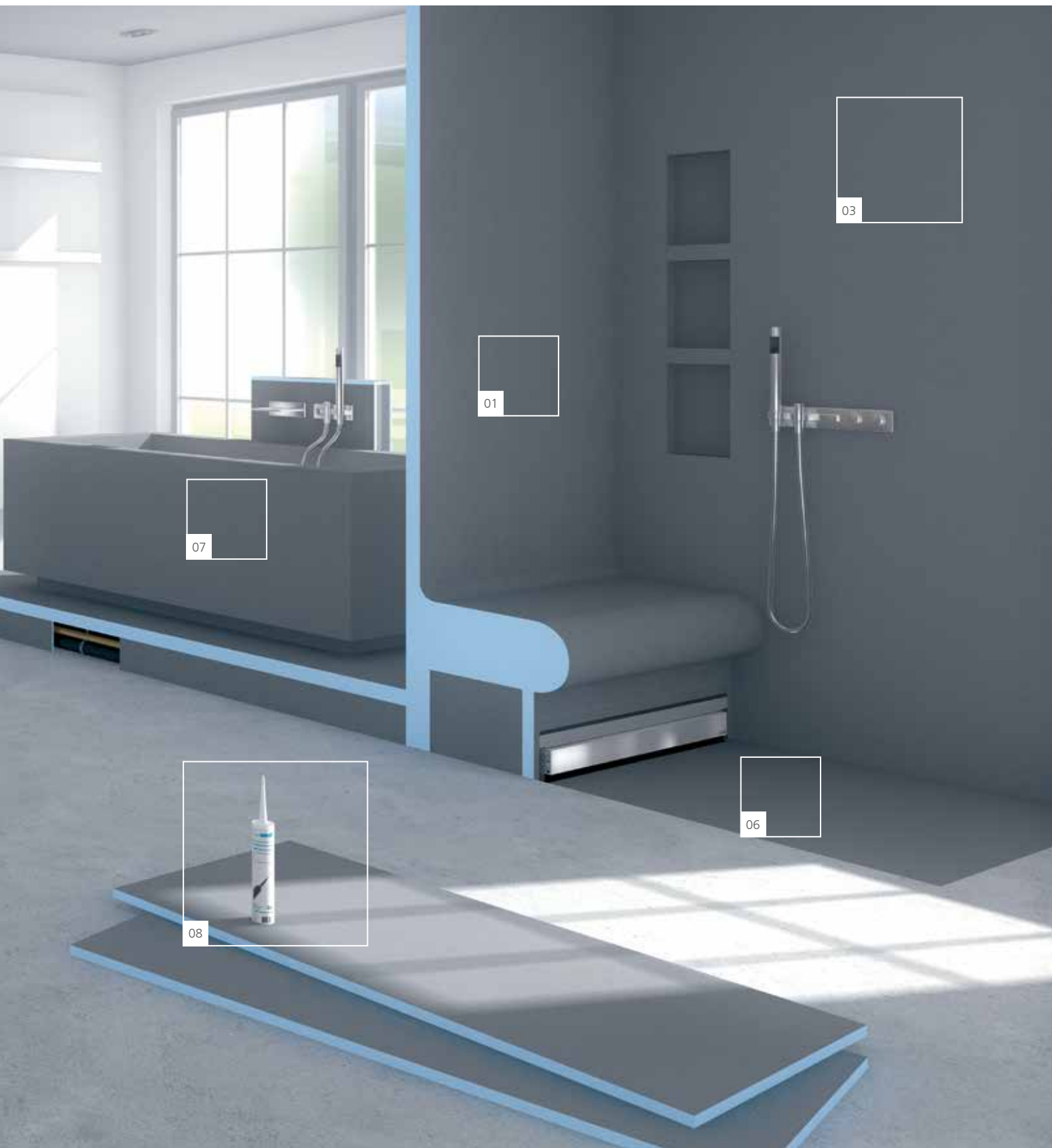


01 wedi Building Panel XXL, for shower walls and wet areas ▪ [Page 20](#)

02 wedi Building Panel XL, large design for use as a partition wall, for example ▪ [Page 20](#)

03 wedi Building Panel, the perfect tiling sub-structure for walls and floors ▪ [Page 16](#)

04 wedi Building Panel, easily and cleanly shaped on site to fit individual designs ▪ [Page 41](#)



05 wedi Wellness Loungers, ready to tile and optional with integrated heating
▪ [Page 144](#)

06 wedi Fundo Shower Floor Elements, a wide variety of floor-level or curb design showers ▪ [Page 62](#)

07 wedi Sanbath Tubs – prefabricated tubs including integrated plumbing; plug in and tile ready in minutes ▪ [Page 26](#)

08 wedi Joint Sealant, permanently flexible, waterproof and a strong adhesive for perfect joint treatment ▪ [Page 61](#)



Table of contents

wedi Building Panel Applications

16

▪ Shower Walls and Wet Areas	20
▪ Framed Walls	22
▪ Suspended Ceilings	24
▪ Tub and Tray walls and decks	26
▪ Structural Floors	30
▪ Requirements for wedi Flooring Systems over Wooden and Concrete Subfloors	31
▪ Wooden Subfloors	32
▪ Concrete Subfloors	34
▪ Floors with Floor Heating Systems	36
▪ Underlayment for Ceramic and Stone Tile Coverings	39
▪ Underlayment for Laminates and Ready-to-Lay Parquets	39
▪ Wall Surface Coverings	40
▪ Constructing Individual Bathroom Furniture / Flexible Shapes	41
▪ Building Shower Seats and Benches	42
▪ wedi Building Panel for Countertops and Backsplashes	44
▪ wedi Vapor 85	46
▪ Steam Rooms and Steam Showers	48
▪ wedi Building Panel, General Information / Technical Data	56
▪ Order Information	58

wedi Shower System Solutions	62
▪ wedi Fundo Primo Shower System, facts and installation	64
▪ wedi Fundo Ligno Shower System, facts and installation	72
▪ wedi OneStep Shower System, facts and installation	84
▪ wedi Fundo Riolito neo Shower System, facts and installation	86
▪ wedi Fundo Riolito neo Modular Shower System, facts and installation	90
▪ wedi Fundo Discreto wall drain module, facts and installation	98
▪ Prefabricated Shower Seats and Benches	100
▪ Prefabricated Niches	102
▪ Prefabricated Curbs & Ramps	104
▪ Order Information/Technical Drawings	105

wedi Special Underlayment Systems & Installation Tools	132
▪ wedi Subliner Dry Systems, facts and installation	134
▪ Order Information	138

wedi Wellness and Spa System Solutions	140
▪ wedi Sanoasa Benches	142
▪ wedi Sanoasa Loungers	144
▪ wedi Custom Wellness & Spa Design Solutions	146



Building Panel Applications

The Ultimate Tile Backerboard

wedi Building Panels are so much more than a simple tile backer board and offer endless installation opportunities. Available in a wide variety of thicknesses and sizes, they are compatible with virtually any substructure. wedi Building Panels are lightweight, internally waterproof and dimensionally stable, making them fast, clean and simple to work with. The blue waterproof core is made from wedi specific extruded polystyrene foam that is manufactured without the use of CFC, HCFC, or HFC foaming agents and contains no dangerous fire retardants such as HBCD. It is reinforced with maximum strength fiberglass mesh on both sides and coated with synthetic polymer resin mortar which fully embeds the mesh layer resulting in the panel's strength and the ability to develop highest adhesion strength to virtually any type of thinset mortar. The embedded mesh eliminates the risk of delamination of installation layers.

Safely manufactured with best quality ingredients, it is safe to use on projects. wedi transparently discloses safety data sheets, uses the safest materials available for XPS made product and manufacturing, and maintains its voluntary compliance with the requirements under the Montreal Protocol, REACH, and the Stockholm Convention Protocol. It is also not affected by changes from OSHA's new and stricter guidelines for silica exposure, calling in many cases for advanced or mechanical personal protective equipment. All ingredients are sourced from safe countries and don't inhibit the risk of contamination with toxins, dangerous metals such as lead or arsenic, or even asbestos, commonly observed with building materials produced in unsafe environments.

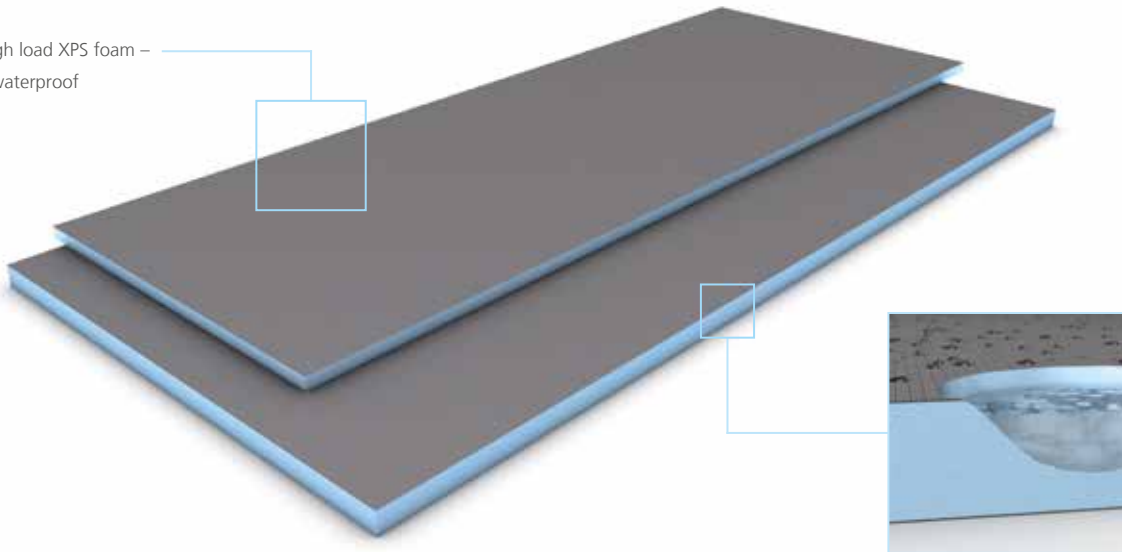
The wedi Building Panel combines the benefits of the latest manufacturing technology and material quality with sound and traditional benefits our trades enjoy. wedi Building Panels are waterproof, lightweight, easy and clean to cut and still incredibly strong and bond friendly for use with any type of thinset mortar application. The wedi Building Panel can be tiled with all types of ceramic, glass or stone tile whether they are mosaic or large format tiles. Especially large and thin tile benefits of the durability of the wedi Building Panel and the even surface it provides. Now proudly produced in the USA.



The Ultimate and Complete Wet Room tile backer board and integral part of the wedi Shower System

wedi Building Panels have a blue core made from extruded polystyrene rigid foam that is manufactured without the use of CFC, HCFC or HFC foaming agents and contains no dangerous fire retardants such as HBCD. This makes wedi Building Panels an ideal base for any type of thinset adhered tile or stone. wedi Building Panels can be applied to practically any load-bearing structure, are waterproof throughout, insulating, versatile in its use in field customized applications, light and extremely robust and strong. While often used within the range of wedi shower systems it is also a formidable tile backer board for general use on wet area walls, floors, countertops and many more applications. Probably the biggest value you get with wedi Building Panel and our entire range of shower systems: 35 years of experience in manufacturing, research and design. This shows in the consistency of performance, and even in the visual appearance of the product. With wedi you see no issues such as delamination of coatings, chipped off coatings, beyond normal flexibility, softness of core or coating, out of spec dimensions, inconsistent core material properties, irregular mesh or discolorations. All of these issues are clear signs for low cost or experimental backer board product. In stark contrast, with wedi there are simply no bad surprises but a great deal of peace of mind.

wedi high load XPS foam –
100% waterproof



- 100 % waterproof blue core, made from wedi specific extruded polystyrene closed cell foam which is manufactured without the use of CFC, HCFC, HFC, and contains no HBCD
- Available in multiple thicknesses and sizes
- Compatible with virtually any stable substructure
- Versatile, limitless installation capabilities
- Strong, due to cement resin with embedded mesh reinforcement – no chance for delamination
- Superior bond to virtually all application suitable tile adhesives on cement or epoxy basis
- Extremely light weight, easy and clean to cut
- Includes thermal insulating properties
- Protects against mold and mildew naturally
- Perfect, even surface for mosaics, as well as large size or thin body tile



Shower Walls and Wet Areas

The wedi Building Panels can be applied to shower walls and wet areas perpendicular or parallel to the framing, saving time and reducing joint frequency. The panels are fastened quickly and easily in place using wedi fasteners. Once the panels are secured and seams and fasteners are sealed with wedi Joint Sealant, tiling can begin immediately. All in a fraction of the time previously required by traditional methods. The wedi Building Panel combines tile backer board and waterproofing in one product and installation step. This saves time and cost. Its solid waterproof core eliminates concerns typically associated with alternative waterproofing products such as pinholes or delamination. The entire shower structure is protected by wedi's warranty: from bottom to top! The wedi Building Panel is successfully tested under ANSI 118.10 test standard for loadbearing, bonded, waterproof membranes as well as ASTM C578 the standard for cementitious coated foam backer board.

General Limitations/Requirements (installation on walls and ceilings)

- 1/2" (12.7 mm), 5/8" (15.9 mm) or 1" (25.4 mm) Building Panels are the recommended minimum thicknesses for installation to framing
- Wood Framing: 2 × 4's (framing depth 3 1/2" [89 mm]), Maximum stud spacing 16" (406.4 mm) o.c.
- Metal framing requirement 20 gauge or heavier studs with maximum 16" (406.4 mm) o.c. spacing
- Maximum allowed deflection L/360 based on gauge, stud material, design and connection points of framing, and consideration of total load.
- wedi 1" (25.4 mm) Building Panel or thicker can be used over 19.1" (485 mm) o.c. spaced wall framing
- 2" (50.8 mm) wedi alkali resistant fiberglass mesh tape to be applied over all seams in dry areas. wedi waterproof Joint Sealant or wedi Sealing Tape to be applied over all seams and fastener locations/heads if a waterproof installation is required
- Attach wedi Building Panels with one fastener per every 12" (304.8 mm) and in between adjacent panels (seams) over wall framing
- On ceilings, use one fastener per every 6" (152.4 mm) and in between adjacent panels (seams)
- wedi Waterproof Joint Sealant or wedi Sealing Tape to be applied over all seams and fastener heads if a waterproof installation is required
- wedi Joint Sealant or wedi Subliner Sealing Collars are used where plumbing or other equipment protrusions through walls must be sealed
- The Building Panel should be notched out at the bottom to install safely and plumb against the flange of the tub. A bead of wedi Joint Sealant is applied against the flange of a tub. Use wedi Tub sealing tape with its butyl sealing strip to create such connections with non-nailing flange tubs or trays.
- wedi Product Systems are only used for interior installations.
- wedi Building Panel is not a sound deadening product. While it may reduce airborne sound, it is not IIC or STC rated and should not be used to actively reduce or remove sound transmission.
- Do not use as a wear surface or without tile/stone or other suitable coverings.
- wedi products are tested and classified with an A rating for fire behavior safety but are not a fire resisting barrier. An alternative backing providing actual fire resistance must be installed (e.g. 90 minute fire rated drywall)
- Do not use organic mastic adhesives for setting tile on wedi Systems in wet areas.
- Adhesive coverage under tile or other suitable surface finishes in wet area installations must be a minimum of 95%.
- In steam showers or steam rooms use only setting materials specifically recommended by the manufacturer for this application, and submerged and hot temperature areas. Setting materials recommended by wedi are commonly solid epoxies (meet or exceed ANSI 118.3) or high performance modified mortars (meet or exceed ANSI 118.15). Test the adhesion over vapor barriers.
- Use only thinset mortar setting materials suitable for installation and adhesion to the specific substrate types.
- Ensure tile and setting materials incl. grout are suitable for the application (e.g. submerged applications or steam rooms)
- Certain substrates must be primed prior to thinset mortar attachment.
- Do not use where substrate is subject to excessive moisture and moisture content changes.
- A wedi installation does not replace the need for Expansion and/or Movement joint placement within a tile installation. Please follow recommendations found in the TCNA guidelines (Detail EJ171).
- All installations shall be in conformance with IRC for residential installations and IBC for commercial installations or applicable building codes in a region including the consideration of properly designed substrates. All installations including the consideration of properly designed substrates should be in compliance with current TCNA Handbook for Ceramic, Glass and Stone Tile Installation, use details specific to "Cementitious Coated Extruded Foam Backer Board". wedi's technical recommendations supersede all requirements of IRC, IBC, IPC or TCNA where in conflict and exceeding minimum requirements established by the above mentioned institutions.
- Contact wedi for installation of tile or stone smaller than 2 × 2" (50.8 × 50.8 mm) and larger than 12 × 12" (304.8 × 304.8 mm) over wedi product, and where wedi Building Panel is used in commercial use areas, to learn more about the best practices and requirements applied in such applications. Follow tile manufacturers' recommendations for appropriate tile choice, setting materials and installation techniques.
- When building free standing, non framework attached walls using wedi 2" (50.8 mm) building panel, the maximum wall length may extend to 4 ft. (1,220 mm) without the need to firmly attach the wall to the ceiling (attachment to floor and wall only). It is helpful to double up walls for larger adhesion and support surfaces to floor and wall, and to Z-notch connect these walls to channels of wedi Shower Bases. Such structures will produce blue foam edges which should be covered with wedi 1/8" (3.2 mm) or thicker panels to provide best adhesion surfaces for tiling. Such panel strips can be installed with wedi Joint Sealant.
- Maximum weight of surface coverings and setting materials applied to wedi Building Panel on walls are 23 lbs/sqft. (112 kg/ m²) and 18 lbs/sft (88 kg/ m²) on ceilings.
- All wall substrates are to be prepared prior to installation to guarantee plumb, even, level and squared (corner) areas to install wedi product. On ceilings, the substrates must be even, level and squared with the wall.

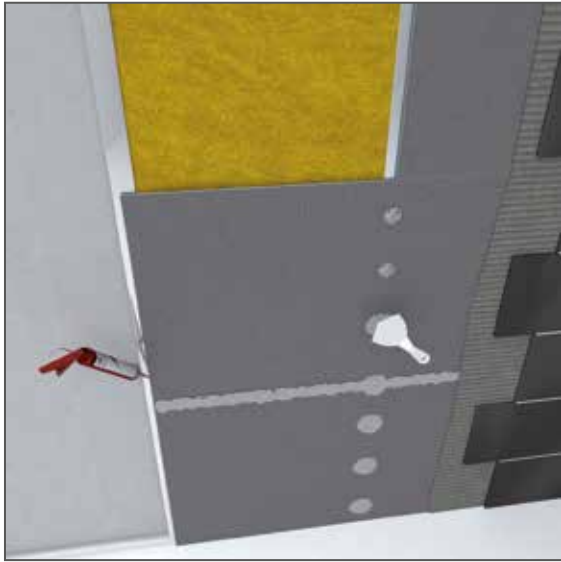




Framed Walls

Whether in wet or dry areas, wedi Building Panels install perfectly well over wood or metal framed wall construction. The wedi Building Panels combine lightweight properties with a flexural strength and the right and proportionate stiffness of a real tile backer board. When tile is installed, the wedi Building Panel does not push in easily. After the installation, it will not succumb under any ordinary tile or stone weight. And this is a fact which not only considers the building panel, but also our fastening and joint treatment methodology. As a system, wedi Building Panel installations over framed walls are unique in their ability to resist shear and tensile forces when benchmarked to any other directly competitive product or copy. And, true to wedi quality level requirements, wedi Building Panel meet and exceed all relevant industry standards including the demanding shear bond strength requirements under ANSI 118.10 Section 5. With wedi, you not only use a high performance backer board but a solution based product. Even wedi's fastening hardware including heavy gauge washers and ceramic coated screws contribute to a system approach with no weak links.

Installation over Framed Walls



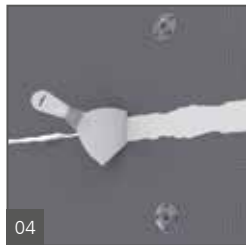
01
Using only a utility knife, wedi Building Panel is effortlessly cut and shaped.



02
A continuous 1/2" (12.7 mm) bead of wedi Joint Sealant is applied on the foam edges of a wedi Building Panel before another panel is joined by butting tightly.



03
Apply 1 wedi fastener per every 12" (304.8 mm), with an extra fastener applied directly in the seam to provide a flush transition between panels. On a ceiling, apply 1 wedi fastener per every 6" (152.4 mm). The washer heads are dimpled below the surface of the wedi Building Panel so a flat surface is maintained.



04
All excess wedi sealant is spread flat over all joints using a putty knife. Where needed, an extra bead of sealant is applied on top of the joints and spread flat. The joints should be covered a full 1" (25.4 mm) on both sides of the seam. Especially wedi Joint Sealant provides little build up making for square and tight corner areas perfect for tiling. All fastener locations are waterproofed using wedi Joint Sealant spread flat and widely over each washer.



05
Alternatively, wedi sealing tape can be used instead of the wedi Joint Sealant and applied in modified thinset. The sealing tape provides adequate splash water protection but should not be used in areas with constant wetness/ water exposure, because thinset mortar might allow pressing water to migrate underneath the sealing tape through the thinset mortar. If you use wedi Building Panels with wedi Shower Bases, wedi Joint Sealant must be used in between seams and on top of seams. No sealing tape is required in these applications. Please consider: sealing tape is installed in cement based thinset and can allow pressing water to migrate under the tape. The thinset holding the tape can also not provide protection against movement. Both challenges are addressed more efficiently by using wedi Joint Sealant. In dry areas, the seams can be treated with an alkali resistant fiberglass mesh tape by wedi.

Where wedi Building Panel transitions to drywall panels, wedi reinforcing tape, or sealing tape or wedi Joint Sealant may be used. The drywall surface should be primed. Conversely, if mesh and gypsum plaster is used over such seams in dry areas, the wedi Building Panel surface must be primed.



Suspended Ceilings

The lightweight, yet extremely strong performance of the wedi Building Panel, as well as its perfectly flat surface and installation, makes it a superior backing substrate for tiles over solid or suspended, framed ceilings. Especially valuable if used in areas subject to rising water vapor such as in pool areas. When working over head, not only the lightweight handling is of great benefit. Not being permanently covered in falling dust is another nice benefit.



Suspended Ceiling Installations

Besides wall and floor applications, the versatile wedi Building Panel can also be used for leveling and suspension of ceilings. Suspension height can be individually set during installation. For areas that require a fire barrier, additional backing material may need to be considered.

wedi installation requirements:

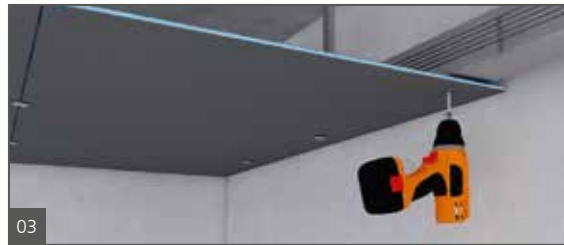
- Framing must be sufficiently loadbearing and not exceed deflection of $L/360$ in consideration of gauge, entire design of framing, material choice and total load
- stud spacing not to exceed 16" (406.4 mm) o.c.
- On metal studs we recommend to use wedi Joint Sealant to adhere the panels next to using wedi screws and tab washers. wedi's ceramic coated screws are used for wood studs and 20 ga. metal framing. For heavier ga. framing from 18 ga. and less, wedi self-tapping screws and tab washers are used



01
Install the ceiling suspension systems to the existing ceiling by using dowels and set the desired suspension height.



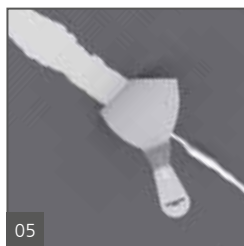
02
Install the corresponding profiles onto the already installed support.



03
Screw wedi Building Panels to framework using wedi's ceramic coated coarse thread screws and galvanized tab washers. Self tapping screws will be need when installing to metal framing 18 ga. or heavier. The fastener pattern is 1 fastener per every 6" (152.4 mm). Make sure to always use washers/fasteners in panel seams to ensure smooth transitions.



04
When installing wedi Building Panels to metal stud ceiling framework, use wedi Joint Sealant in addition to wedi screws and Washers.



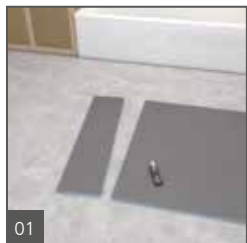
05
Seal all joints and fastener points using wedi Joint Sealant. In dry areas, use wedi Self Adhesive Mesh Tape.



Tub and Tray walls and decks

wedi Building Panels are the natural choice for use with tub or tray walls and tub enclosures. The panels can be installed directly to framing or over gypsum board, cement board, or directly to solid wood or concrete structures to create a waterproof underlayment for tile. They can be easily scored and shaped to provide radius surfaces on tub skirts and do not scratch tubs or fixtures during installation. Additionally, the dimensions of the wedi Building Panels make for quick installations with standard tubs – laid horizontally the panel will span the full five foot width. Cut out a notch at the bottom edge of a wedi Building Panel and safely connect to a tub flange with just a bead of wedi Joint Sealant in between to safely waterproof this critical connection and create plumb walls, square wall corner areas as well as a full backing for the tile all the way down to the tub's horizontal perimeter area. Because of its waterproof nature, the wedi Building Panel is the natural choice for use in wet areas. The panels do not wick water from the tub perimeter along which water will traverse. wedi Building Panels can be applied directly to studs or over other suitable non-waterproof surfaces to create a waterproof underlayment for tile and can also be used on tub decks and backsplashes or to quickly place complete tub wall surrounds safely. When installing a tub surround wall for a tub or shower tray with only partial or no nailing flange, wedi's tub sealing tape can be used. It features a waterproofing butyl adhesion strip which can safely connect tub edge and framing before a wedi Building Panel is placed before it. The Tub sealing tape also helps with creating safe, waterproof transitions from tubs to horizontal areas adjacent to such tubs.

Tub Wall Surround Application



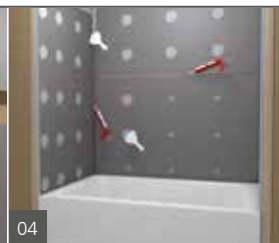
01 Measure and cut wedi Building Panel to fit the 16" (406.4 mm) o.c. framework (wood or metal). Notch out all panels if installed around the perimeter of a flange tub to integrate the flange and achieve a plumb wall with square and tight corners.



02 Attach a notched panel to the framework with a 1/2" (12.7 mm) bead of wedi Joint Sealant between the notch and flange. Attach the panel to the framework using wedi Washers and Screws at a rate of 1 every 12" (304.8 mm) along the studs. Leave a gap of 1/8" (30.2 mm) between tub edge and wedi Panel bottom end to allow for movement of the tub. Alternatively apply a bead of wedi Joint Sealant in between both materials.



03 Apply a continuous 1/2" (12.7 mm) bead of wedi Joint Sealant on the top blue foam edge of the wedi Building Panel before installing the next panel, butting tightly into the sealant. Set another wedi Washer and Screw into the seam to create a flush transition between panels and smooth over excess sealant. When installing a wedi side panel against the already fixed wedi back wall, apply a continuous 1/2" (12.7 mm) bead of wedi Joint Sealant vertically on the back wall wedi Panel where both panels will meet. Apply compression to the wedi Joint Sealant when moving the wedi side panel into position before fastening it.



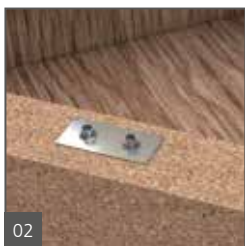
Finally and after all wedi Building Panels are installed a second 1/2" (12.7 mm) bead of wedi Joint Sealant is applied over all seams and fastener points and spread flat using a putty knife.

Tub Deck Application

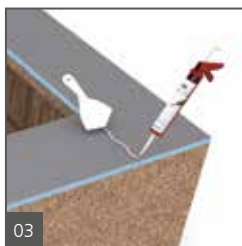


01 The tub frame structure must be properly supported and load bearing

i Tub frame structures can also be built completely of Building Panels.



02 Where fixtures are integrated into the tub deck structure, they should be equipped with a stainless steel plate fixing their position



03 The wedi Building Panel is installed over the structure using modified thinset mortar. wedi Fasteners are additionally applied on vertical areas (1 per sq. ft.), no fasteners are used in horizontal areas. All seams, protrusions or fastener points must be waterproofed using wedi Joint Sealant.



04 The tub deck can be tiled over immediately once the wedi board is installed, seams and possible fasteners and cut outs sealed and the thinset mortar has set up.

wedi Tub Sealing Tape with waterproof Butyl connection strip for waterproof connections between tubs/trays without nailing flange and wall assemblies



01 Ensure the installation site is clean, and all structures are even, plumb, square and loadbearing. Install 2 x 4 blocks between studs on all sides where tub or tray meet framing. The bottom edge of the 2 x 4 block is at the height of the top edge of the tub or tray.



02 Dry fit the length of the wedi tape needed to cover all three sides of the tub or tray. Then remove the protective cover from the butyl strip in several steps as you work your way around the tub. Press the butyl firmly to a clean and grease free, vertical top area of the side of the tub or tray.



03 Cut off any tape exceeding the three sided perimeter of the tub or tray.



04 Apply two continuous 1/2" (12.7 mm) beads of wedi Joint Sealant low and centered along the 2 x 4 blocking. Apply on all three framed sides. Note, the working time of the sealant is ca. 10 minutes, depending on the site's climate.



05 Move tub or tray into its final position and push tight against the framing.



06 Ensure the tape is now pressed into the beads of wedi Joint Sealant and pressed flat over the 2 x 4 blocks. A putty knife will help you with this step.



07 When ready for the wedi Building Panel installation on the walls, apply a 1/2" (12.7 mm) bead of wedi Joint Sealant along the tubs outer edge where the first wedi Building Panel will connect to the tub or tray.



08 Install the wedi Building Panel as explained in wedi installation guidelines for wet area walls.



09 With all panels installed, seams and fasteners sealed, the installation is complete fast. Please note, the Tub Sealing Tape is a secondary line of waterproofing. This may become important with tubs or trays which have no nailing flange and may flex and move a lot, not only due to extreme temperature changes. The tape will be there should your wall waterproofing ever be compromised due to such extreme tear and wear due to flexing or movement of a tub or tray.

wedi Tub Sealing Tape with waterproof Butyl connection strip for waterproof connections between tubs/trays with partial nailing flange and wall assemblies



01 Ensure the installation site is clean, and all structures are even, plumb, square and loadbearing. Install 2 x 4 blocks between studs on all sides where tub or tray meet framing. The bottom edge of the 2 x 4 block is at the height of the top edge of the tub or tray.



02 Here, we install a tub with only one nailing flange along its back side. Dry fit the length of the wedi tape needed to cover all three sides of the tub or tray. Then remove the protective cover from the butyl strip in several steps as you work your way around the tub. Press the butyl firmly to a clean and grease free, vertical top area of the side of the tub or tray.



03 Cut off any tape exceeding the three sided perimeter of the tub or tray.



04 Apply two continuous 1/2" (12.7 mm) beads of wedi Joint Sealant low and centered along the 2 x 4 blocking. Apply on all three framed sides. Note, the working time of the sealant is ca. 10 minutes, depending on the site's climate.



05 Move tub or tray into its final position and push tight against the framing.



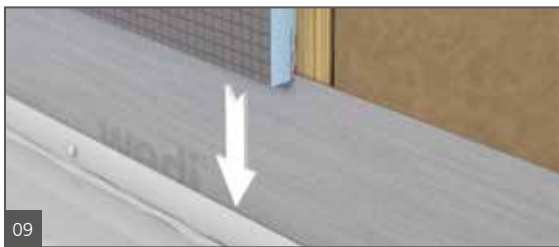
06 Fasten the nailing flange to the framing or blocks.



07 Ensure the tape is now pressed into the beads of wedi Joint Sealant and pressed flat over the 2 x 4 blocks. A putty knife will help you with this step.



08 When ready for the wedi Building Panel installation on the walls, apply a 1/2" (12.7 mm) bead of wedi Joint Sealant along the tub's outer edge where the first wedi Building Panel will connect to the tub or tray.



09 Where a wedi Building Panel meets a nailing flange, it can be notched out at its back side. It may now integrate the flange and seal to it thanks to wedi Joint Sealant in this connection. You now have a straight and plumb wall panel with square corner areas. In addition, the wedi Building Panel can be installed down to the tub or tray edge and into a bead of wedi Joint Sealant. This ensures full backing of the tile later.



10 With all panels installed, seams and fasteners sealed, the installation is complete fast. Please note, the Tub Sealing Tape is a secondary line of waterproofing. This may become important with tubs or trays which have no nailing flange and may flex and move a lot, not only due to extreme temperature changes. The tape will be there should your wall waterproofing ever be compromised due to such extreme tear and wear due to flexing or movement of a tub or tray.



Over Structural Floors

Whether it is in new construction or renovation, a great variety of subfloor types need a tile underlayment prior to setting tile or stone. The reasons for the need of installing tile underlayments are many: they may reduce stresses from subfloors and protect tile. They may be used to build up height as needed to finish the tile surface flush with adjacent flooring surfaces. They may be necessary for waterproofing or insulation purposes. Also very important, they should provide and support successful and lasting adhesion performance for thinset mortar and tile. wedi Building Panels offer a durable underlayment surface once tiled and it passes the Robinson Floor Test (ASTM C627) having achieved a „heavy duty use“ rating. In combination with its ideal flat surface, it is a natural choice when installing either small tile or very large tile but possibly extremely thin tile on floors. Both require perfect thinset mortar coverage and adhesion, made easy when working on a most flat and even surfaces and they need the full support of a strong underlayment like the wedi Building Panel. It is, however, important to evaluate the suitability of a subfloor structure, or the layer below a tile underlayment, to ensure a proper tile installation and also the choice of a good underlayment fitting the application.

General Limitations/Requirements (Concrete & Wood Subfloors)

- wedi Product Systems are only used for interior installations.
- Do not use as a wear surface or without tile/stone or other suitable coverings.
- Do not use organic mastic adhesives for setting tile on wedi Systems in wet areas.
- Use only thinset mortar setting materials suitable for installation and adhesion to the specific substrate/subfloor type.
- In steam showers or steam rooms use only setting materials specifically recommended by the manufacturer for this application, and submerged and hot temperature areas. Setting materials recommended by wedi are commonly solid epoxies (meet or exceed ANSI 118.3) or high performance modified mortars (meet or exceed ANSI 118.15). Test the adhesion over vapor barriers.
- Adhesive coverage under tile or other suitable surface finishes in wet area installations must be a minimum of 95%.
- Certain substrates must be primed prior to thinset mortar attachment.
- Ensure tile and setting materials incl. grout are suitable for the application (e.g. submerged applications or steam rooms)
- Do not use where substrate is subject to excessive moisture and moisture content changes.
- Do not use over substrates including, but not limited to: general particle board (specific exceptions apply), luan, asbestos, plank, bamboo, hardwood, chipboard, sponge backed vinyl tile/flooring, laminates, fiberglass based surfaces, metal or steel surfaces. Do not install over any dimensionally unstable surfaces. Consult wedi for questions regarding specific approved installations not listed here.
- Subfloors must be clean, even, sufficiently load-bearing and dry (cured). Residues, oil, waxes, grease or other contaminants acting as possible bond breakers must be removed.
- Deflection of all subfloor installations must not exceed L/360 for ceramic tile installations and L/720 for dimensional stone installations over wedi product under consideration of live and dead loads measured between joists.
- Any leveling of the subfloor must be done prior to installing wedi product and tile. Subfloor maximum variation from plane must not exceed ¼" (6.4 mm) in 10 ft. (3050 mm) and 1/16" (1.6 mm) in 12" (304.8 mm) when tile over wedi product is used and all edges of the tile shorter than 15" (381 mm). For installations over wedi product using tile with at least one edge 15" (381 mm) or longer in length, maximum allowable variation is 1/8" (3.2 mm) in 10 ft. (3050 mm) and no more than 1/16" (1.6 mm) in 12" (304.8 mm). Make sure to use leveling materials adequate to the challenges of the application. When leveling or building up larger areas including outside the shower please do not use material that can be affected by even low water exposure.
- wedi products should not be installed over bowl shaped, uneven structures unless suitability is specifically determined for a wedi product.
- A wedi installation does not replace the need for Expansion and/or Movement joint placement within a tile installation. Please follow recommendations found in the TCNA guidelines (Detail EJ171).
- All installations shall be in conformance with IRC for residential installations and IBC for commercial installations or applicable building codes in a region including the consideration of properly designed substrates and subfloors. All installations including the consideration of properly designed substrates and subfloors should be in compliance with current TCNA Handbook for Ceramic, Glass and Stone Tile Installation,

use details specific to "Cementitious Coated Extruded Foam Backer Board". wedi's technical recommendations supersede all requirements of IRC, IBC, IPC or TCNA where in conflict and exceeding minimum requirements established by the above mentioned institutions.

- Contact wedi for installation of tile or stone smaller than 2 x 2" (50.8 x 50.8 mm) and larger than 12 x 12" (304.8 x 304.8 mm) over wedi product, and where wedi Building Panel is used in commercial use areas, to learn more about the best practices and requirements applied in such applications. Follow tile manufacturers' recommendations for appropriate flooring tile choice, setting materials and installation techniques.

Installation over structural wooden surfaces – Flooring

- Plywood subfloor joist spacing must not exceed 16" (406.4 mm) o.c. with minimum thickness of T&G exterior grade plywood of 23/32" (19 mm). Joist spacing in excess of 16" (406.4 mm) o.c. and up to 24: a structure comprised of one 23/32" (19 mm) exterior grade plywood with 1/8" (3.2 mm) of a gap between sheets and one additional layer of minimum 3/8" (10 mm) thick exterior plywood with 1/8" (3.2 mm) gap between sheets.
- Plywood subfloor sheets must be properly glued and fastened.
- Wood subfloors and structures attached to wooden subfloors must be kept dry and wood moisture content must be maintained at consistent service and use levels and must not exceed 15%. Where constant moisture or vapor is present, ventilation must be installed to eliminate exposure of the wood structure from below the wedi product layer.

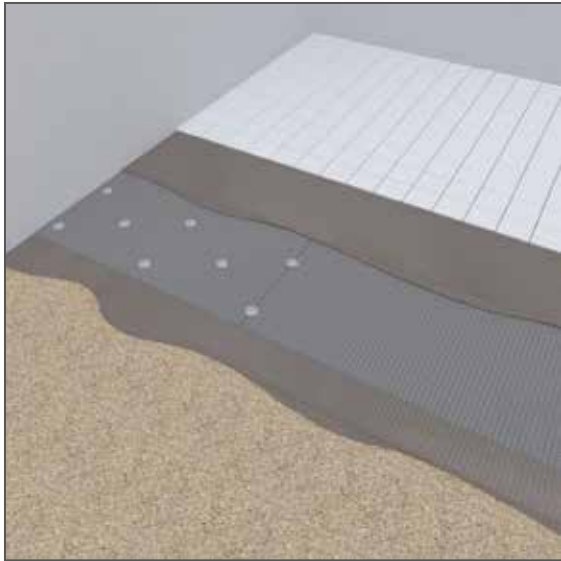
Installation over structural concrete/ cement base surfaces – Flooring

- Concrete slabs or other structural cement based substrates must be fully cured (at least 28 days but up to 3 months for new Portland cement based concrete or lightweight concrete under normal conditions, mix ratio and ambient climate). Field verification of full cure (see moisture level indicators below) is necessary to determine a full cure.
 - Residual humidity must not exceed the following value per each floor type when setting wedi product and/or tile coverings:
 - Calcium Sulphate Screeds: 0.5 %
 - Calcium Sulphate Screeds, heated: 0.3 %
 - Cement Screeds: 3.5 %
 - Gypsum based underlayment: 1 % or per manufacturer recommendation
 - Anhydrite Screeds: 0.5 %
- Conduct measures with CM device.
- Please note that wedi product systems might trap rising moisture during cure time or in general from unisolated concrete ground floors not equipped with a vapor barrier.
- Concrete Subfloors must not be subject to hydrostatic water pressure.
 - Existing cracks in subfloor must be filled and secured.
 - Do not use over control and/or expansion joints subject to out-of-plane movement or in-plane movement.



Over Wooden Subfloors

wedi Building Panels are excellent underlayments for tile over interior wood subfloors. When applied over wood subfloors – wedi Building Panels act as a waterproof membrane and offer a superior bonding surface for tile. Additionally, the thermal insulating qualities of the panels support installations including floor warming systems under the tile covering. The cleanliness of cutting and installing wedi Building Panels make especially renovating a great experience. Crisp cuts around installations or obstacles provide for full surface tile support even in underlayment edge areas and tricky spots. When used for waterproofing the exact cut outs and perfect joint alignment provide tight and closed waterproofed surfaces.



Installation over Wooden Subfloors

All wedi Building Panel sizes and thicknesses can be used as tile underlayments over wood subfloors. A modified thinset mortar is applied to the floor with a 3/16" (4.8 mm) to 1/4" (6.4 mm) square notch trowel to provide a ribbed bed. The wedi Building Panels are then laid into the mortar. All joints should be staggered so that no seam continues throughout the length of the floor. wedi fasteners, in this application tabless washers and wood screws, are applied every 1 ft. into seams to create flush transitions between panels making use of the wedi washer and are generally set at a rate of 1 fastener per 1 square foot across the panel surface. All seams should be taped with wedi alkali resistant mesh tape in dry areas or with wedi Sealing Tape or wedi Joint Sealant in wet areas. Fastener points are waterproofed using wedi Joint Sealant before tiling begins once the thinset mortar has set up below the wedi Panels. Use weights over wedi Panels and especially across panel transitions to ensure full bond and smooth transitions.



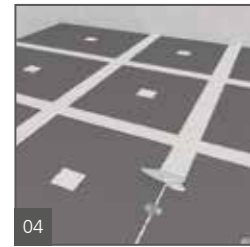
Simply spread modified thinset mortar over a clean wood subfloor using a 1/4 x 1/4" (6.4 x 6.4 mm) notch trowel provided the subfloor is even and load-bearing.



Apply the Building Panel by laying the panels into the mortar. Stagger all panel joints. Apply weights, such as tile boxes, equally across the Building Panel surface and especially over transitions.



Fasten with wedi fasteners. Use wedi tabless washers and wood screws.



Tape all joints with wedi fiberglass mesh tape in dry areas or wedi Joint Sealant in wet areas. Fastener locations should be waterproofed too using wedi Joint Sealant. Begin tiling once tile adhesive has cured below wedi Building Panel.

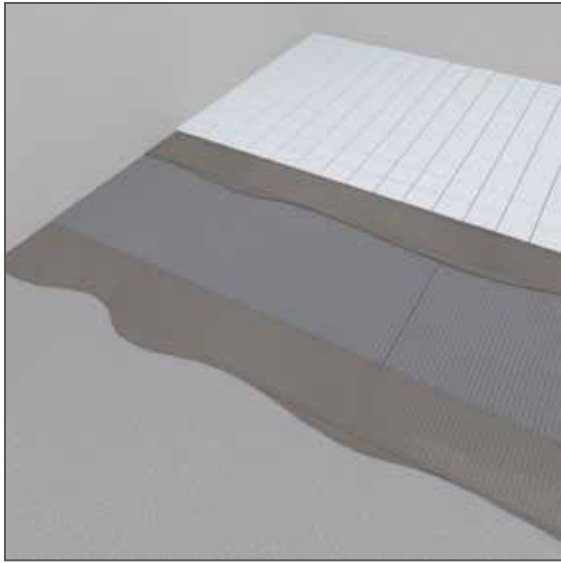


Extend your waterproofing from shower and tub areas into the whole bathroom with wedi Building Panels or the wedi Subliner Dry Sheet Membrane system on your floor. Especially when installing floor level entry showers, a waterproof tile underlayment is needed in front of a shower entrance. wedi Building Panels can help you create both in one step: your waterproofing and tile underlayment as well.



Over Concrete Subfloors

When installed over concrete, wedi Building Panels function as a crack-bridging underlayment, as cracks are not likely to transfer through the polystyrene core. The polystyrene foam also acts as a water barrier, when the seams are properly treated, making the system 100 % waterproof. The panels have excellent thermal insulation qualities, especially beneficial when used under floor warming systems. The wedi Building Panel can help smooth out slightly uneven slabs if appropriate mortars or wedi Panel thicknesses are used.



Installation over Concrete Subfloors

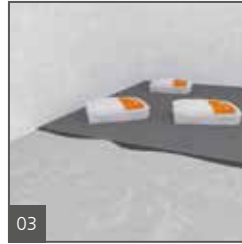
All wedi Building Panel sizes and thicknesses can be used as tile underlayments over concrete subfloors. Modified thinset mortar, combed through with a 3/16" (4.8 mm) to 1/4" (6.4 mm) square notch trowel, will then provide a ribbed bed into which the wedi Building Panels will be laid. All joints should be staggered so that no seam continues throughout the length of the floor. Apply weights (i.e. tile boxes) onto the surface and where transitions are located while the mortar is setting up. After the mortar has set, wedi alkali resistant fiberglass mesh tape, or wedi Sealing Tape or wedi Joint Sealant should be applied to all seams, then tiling can begin.



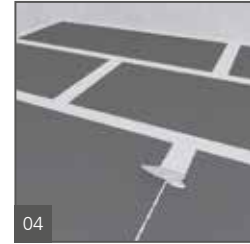
Make sure the concrete floor is fully cured and free of debris, oil or waxes. Some concrete floors might require priming or vapor retarders prior to thinset mortar installation.



The panels are installed in a full coverage setting bed using modified thinset mortar allowing best connection between subfloor and wedi Panel.



Stagger all joints when laying wedi Building Panels on the floor. Apply some weights such as tile boxes equally distributed over the wedi Panel surface and especially over transitions.



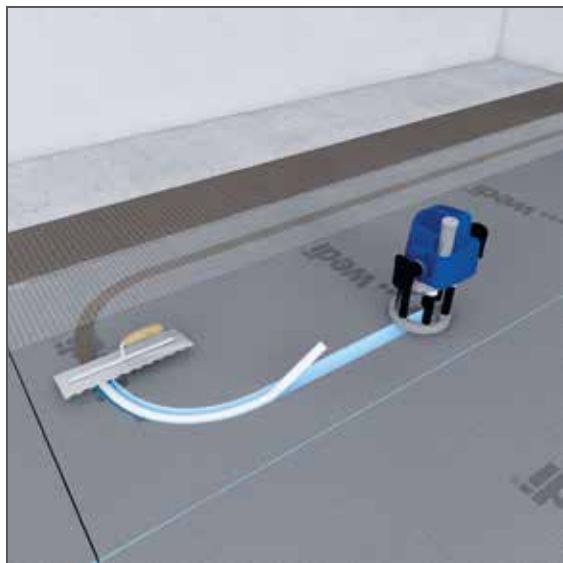
Tape all joints with wedi fiberglass mesh tape in dry areas or wedi Joint Sealant in wet areas. Begin tiling once thinset has cured below wedi Building Panel.



Over structural floors and with Floor Heating Systems

wedi Building Panels are ideal for use beneath floor heating systems whether you have a warm-water heating or an electrical floor warming or heating system. The panel's insulation properties isolate the heat from the substrate and guide it straight into the room thus saving energy and reducing warm up time, as well as supporting equal distribution of warmth.

Electric floor heating systems can be installed as per manufacturer's instructions onto already installed wedi Systems and underlayments (i.e. wedi Building Panels, Fundo floor elements, Sanoasa benches, Sanoasa loungers). In wet areas, only products approved for such individual application and areas such as i.e. showers should be used.



Installation of Hydronic/Water heating systems

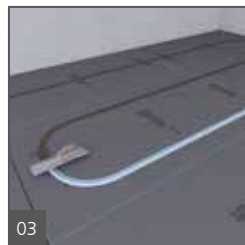
wedi Building Panels are ideally suited for use beneath floor and even wall warming systems. The building panels' good insulation properties keep the heat away from the ground and reflect it back up in to the room, regardless of whether you have a hot-water heating system or an electric system. wedi Building Panels save energy and provide shorter warm up times around your heating system. The warmth is evenly distributed across the entire floor.



01 Draw ducts/grooves onto the wedi Building Panel for installation of the heating system.



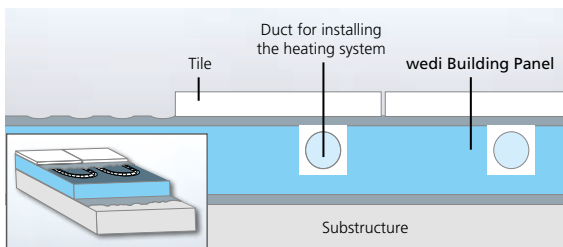
02 Cut grooves using a router. Cutting width should be the same as the pipe width; cutting depth should be at least 1/8" (3.2 mm) deeper. Make sure at minimum a remaining wedi Panel foam thickness of 1/4" (6.4 mm) remains intact below the pipe.



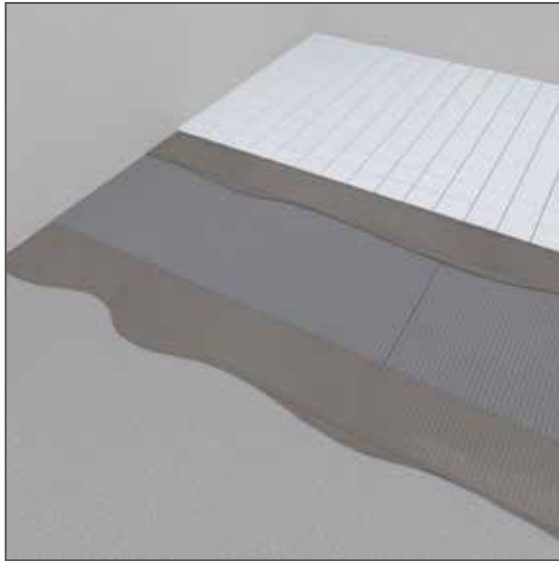
03 Install tubing into the groove. Fill tile adhesive into the pipe duct to cover pipe and fill voids.



04 Apply wedi's wide self adhesive reinforcement tape over the installed ducts. Start tiling. Tiles smaller than 4 x 4" (101.6 x 101.6 mm) should not be used over hydronic system installation surfaces.



For hot-water systems, ducts can be cut into the building panel and other wedi elements quickly and easily. The building panel serves as a combined form of heat insulation and a base for installation of tile and serves as waterproofing protection if needed.



Installation of Electric Floor Warming Systems

The wedi Building Panels save time and money while conserving energy when used in conjunction with any common electric floor heating system. The extruded polystyrene foam core construction makes the system 100% waterproof and the perfect heat insulator and thermal barrier. wedi Building Panels are equipped with a cement resin surface that is reinforced with a fiberglass mesh and provides an ideal bond to any common tile adhesive or selfleveling product which may be needed to integrate an electric cable or mat system.

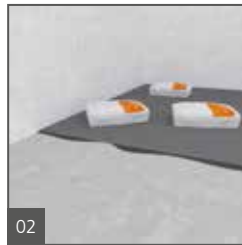
wedi installation requirements:

see page 23 – 27



01

Make sure the concrete floor is even, fully cured and free of debris, oil or waxes. The wedi Building Panels are installed using modified thinset mortar using a 1/4" x 1/4" (6.4 x 6.4 mm) notch trowel.

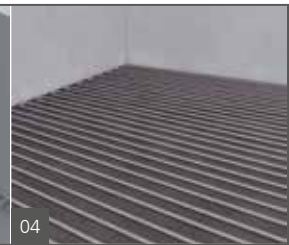


02

Stagger all joints when laying wedi Building Panels on the floor. Apply some weight on the boards during initial thinset setting time and especially over board transitions.



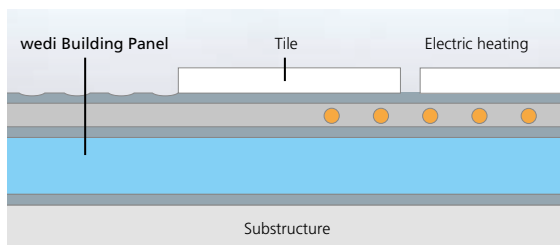
03



04

wedi Joint Sealant can be applied with a continuous 1/4" (6.4 mm) bead while setting the panels in position (seams butted tightly) or after they are set and with the bead of sealant installed over the seam before it is spread flat using a putty knife. All excess sealant must be spread flat so joint sealant covers the seams at least 1/2" (12.7 mm) to 3/4" (19 mm) on either side of the seam. In dry areas, wedi selfadhesive alkali resistant mesh tape can be used to reinforce the seams.

Install electric floor warming system according to manufacturer's recommendations. Please make sure the wedi Building Panels are not punctured by staples or other mounting devices.



Electric under floor heating systems are easy to mount on the building panel and downward heat loss is prevented, making the heating system noticeably more effective.

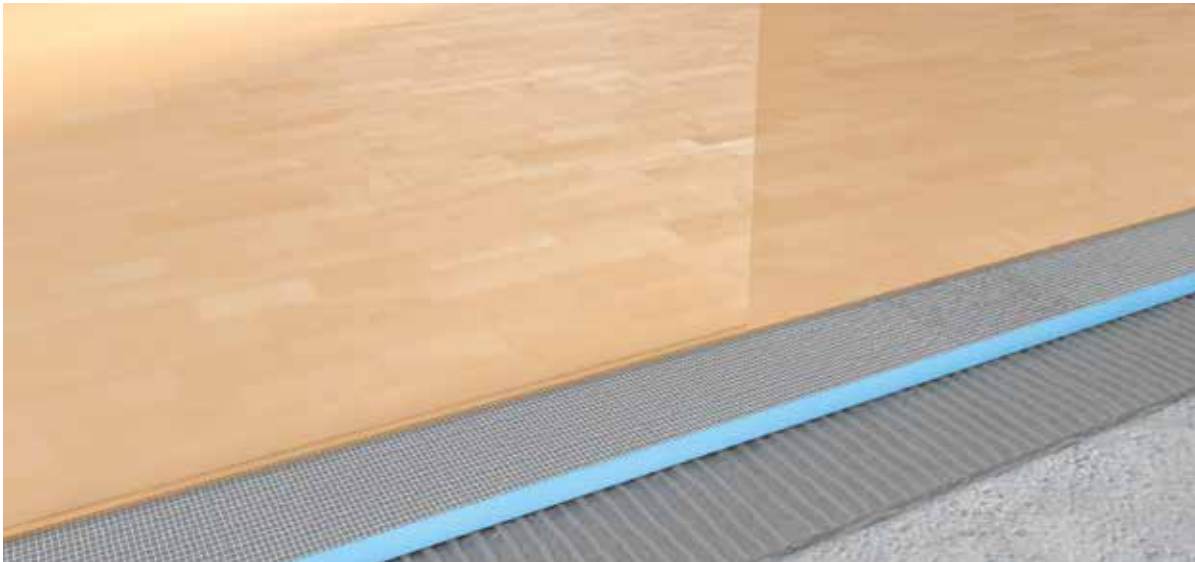
Note on electric floor warming systems

Electric floor heating systems can be installed as per manufacturer's instructions onto already installed wedi product system or underlayment surfaces and reinforced elements (e.g. wedi Building Panels, Fundo floor elements, Sanoasa benches, Sanoasa loungers). Here only products approved for such individual application and areas such as i.e. wet rooms should be used.



On Floors: wedi under Ceramic and Stone Tile Coverings

Virtually all mosaic and larger or thin tile formats, such as dimension stone or thin porcelain tile, can be installed over wedi Building Panels, which are an ideal carrier element and allow for easy and fast installation. Natural stone is also properly supported and cannot transfer soluble salts causing efflorescence due to the impervious nature of the wedi substrate, separating it from concrete subfloors. Please contact wedi for suitable tile choice and formats for use in various types of installations, such as residential or commercial.



Alternative Floor Coverings: wedi under Laminates and Ready-to-Lay Parquets

Laminates and ready-to-lay parquets are an alternative to ceramic floor coverings. Laminate is a comparatively low-cost material that is only coated with a decorative layer; parquet is a wood flooring that – depending on quality – may be very durable. Both floor coverings are available in many different wood designs and colors as well as various qualities. Also here, the wedi Building Panel is the perfect carrier element, where the laminate is laid as a floating floor.

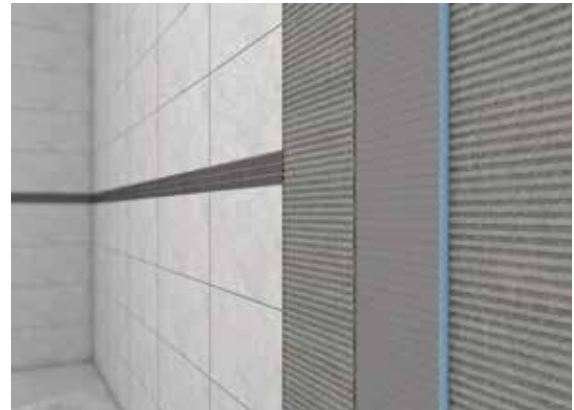
i Contact wedi for best practice installation methods or substrate requirements when using specialty surface coverings.

Wall Surface Coverings Installation Possibilities over wedi Building Panel



Ceramic, Stone and Glass Coverings

Ceramic coverings offer various possibilities for wall and floor design. Depending on the intended use and personal taste, there is a wide variety of tile in different shapes, colors and materials. Here, the wedi Building Panel is the perfect carrier element for ceramic coverings as the tile can be installed directly to the board surface without any additional steps needed. There are no limitations concerning setting adhesives, grouts. All types of ceramic, porcelain, stone or glass can be used with wedi Building Panel. The surface is even and consistent, which works perfectly for mosaic as well as large format or thin body tile.



Mosaic accent strips

wedi's 1/8" (3.2 mm) Building Panel can be used to perfectly install mosaic accent strips into a large format wall tile assembly. This helps avoiding excessive mortar build up and leveling when trying to evenly align the field tile with the much thinner mosaic tile strip. The strips of wedi Building Panel could even be pre-tiled in the shop and simply adhered into the wall assembly on site, using thinset mortar applied to the back of the strip only.

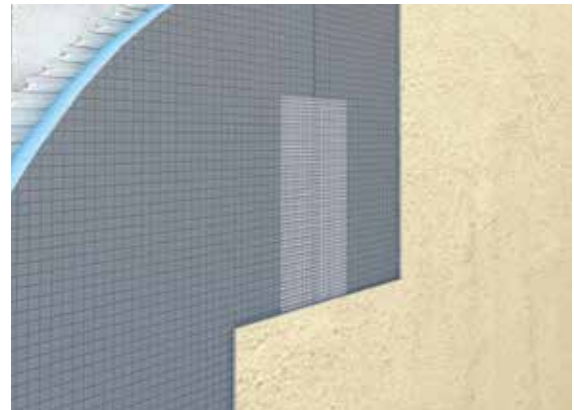


Plasters and fillers

Today, plasters and stucco are not only used for the creation of a plane surface for tiling, painting or wallpapering, but they also represent a visual design element. Also here, the wedi Building Panel is the perfect substructure.

Important information:

Contact the wedi application specialist for advice on areas with shock loads. Plasters containing gypsum require priming of the building panel.



Wall paints

The unique wedi Building Panel is also suitable for paint application. However, a sufficient layer of plaster or stucco must be applied to cover-up the mesh grid structure providing a smooth surface on the building panel, upon which paint can be applied. Whether in living areas or in the bedroom – the design options are many and the room will always be pleasantly insulated. Before applying gypsum/ plaster based joint compounds over seams or corner beads, the wedi Panel must be primed to allow gypsum based material to safely adhere.

i Contact wedi for best practice installation methods or substrate requirements when using specialty surface coverings.

Constructing Individual Bathroom Furniture

wedi Building Panels open endless possibilities in the design of circular and other shapes. Whether you wish to achieve tight curves or semicircular solutions, the wedi Building Panel grants you plenty of scope to develop your ideas for virtually all applications. Since wedi Building Panels offer exceptional moisture protection and heat insulation, you can be assured your installations are guaranteed to meet the highest quality standards, no matter the shape and size you choose to create. Here is just one example how to shape the wedi Building Panel.



01 Create a series of cuts into the wedi Building Panels 1/2 the thickness of the panel deep. The distance between cuts depends on the tightness of the radius needed later. Use a circular saw for these cuts.



02 To shape the wedi Building Panel according to your wishes, you may first want to create a type of template, e.g. out of wood.



03 Then place the wedi Building Panel flush along the structure, with the incisions facing upwards...



04 ... and apply wedi Self Adhesive Mesh Tape followed by a flat application of thinset mortar.



05 Once the thinset mortar has set, the shaped wedi Building Panel can be moved into its intended final position or application.

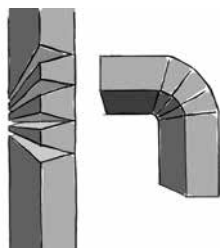


06 A wide range of other shapes are possible using the wedi Building Panel. All you need is a template shaped to suit your needs. A template may not be needed for simpler shaping.

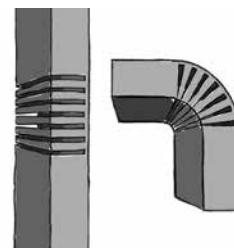
Important:

We recommend to waterproof over cut wedi Building Panels in wet areas as the panels are cut to bend properly, but may break through the foam in handling.

Tools and Methods to cut wedi Building Panels into flexible shapes – curved bench styles



Cut the wedi Building Panel using a utility knife and straight edge. This way wave shape constructions can be produced. For a small radius – cut out wedges from the building panel or...



... cut the wedi Building Panel using a hand-held circular saw and bend it into a curve.



How to install suspended triangle seats (Prefabricated and field fabricated)

Triangles made from wedi 2" (50.8 mm) Building panel may be used to construct and install tile ready, suspended corner seats. The panels may be single sheets or doubled up to 4" (101.6 mm) or more by adhering several triangle cut wedi 2" (50.8 mm) panels using full contact application of a minimum 1/4" x 1/4" (6.4 x 6.4 mm) square troweled bed of modified thinset mortar or wedi Joint Sealant equally applied to the surface in 1/2" (12.7 mm) thick beads. The triangle seats are sealed and adhered against wedi wall building panels using wedi Joint Sealant applied in 1/2" (12.7 mm) beads equally distributed over the contact surface. The seats should be pressed into position giving it no more than 1/8" (3.2 mm) of a slope to the front. The seats have to be kept under compression against walls for at least 20 minutes. More joint sealant is then applied in 1/2" (12.7 mm) beads over all seams top and bottom of the seat and troweled flat using a putty knife. Once the joint sealant has developed a skin after appr. 20 – 30 minutes, wedi mesh tape is finally applied in modified thinset mortar over these seams. The seat is now ready for tiling. Please note that the maximum seat size in this shape is limited to 18" seat length at both connecting (ninety degree corner-) walls. Such field constructed triangle seats are approved for live and dead load of 250 lbs centered on the seat. Below you can see the installation of wedi's prefabricated triangle seats. They are designed to withstand a weight of up to 350 lbs centered on the seat.



01 Apply wedi Joint Sealant to the side of the mounting bracket that will be attached to the wedi Building Panel wall.



02 Evenly distribute wedi Joint Sealant with a putty knife until the whole contact area is covered.



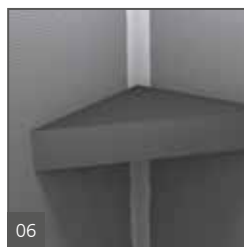
03 Using a level, make sure you can achieve a slight 1/8" (3.2 mm) V 1 ft. (304.8 mm) pitch for the bench. You may slightly pitch the brackets or install these level and use wedi Joint Sealant as a wet shim.



04 Mount the brackets through the wedi Building Panel wall into the solid 2 x 4 wooden framework.



05 Using a putty knife, apply wedi Joint Sealant to the blue foam edges of the seat that will contact the wedi Building Panel wall and brackets.



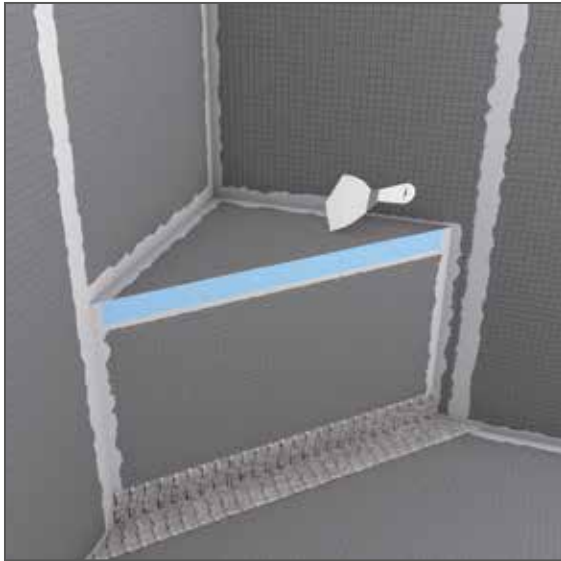
06 Press the seat element into position and apply a weight (i.e., tile box) so the sealant can set under bond pressure.



07 Apply wedi Meshtape to the transition joint between the seat element and the wedi Building Panel wall, seal off all seams to the wall using wedi Joint Sealant. Next, install wedi mesh tape over all transitions to the wall and cover with thinset mortar.

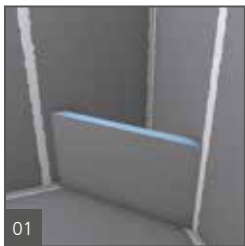


08 Apply Step 7 now to the underside of the seat element. Apply Meshtape and thinset mortar to the vertical seams as well.



Building Custom Seats and Benches Using 1 1/2" (38.1 mm) or 2" (50.8 mm) thick wedi Building Panels

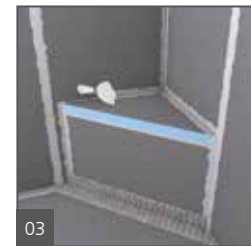
wedi offers prefabricated suspended or wall mounted seats and floor standing seats. Both may also be constructed on site using wedi Building Panels. This is an ideal option that will perfectly accommodate your individual tile and design layout.



Measure and cut the bench pieces off a wedi 2" (50.8 mm) thick Building Panel and dry fit. When installing a corner seat, the panel edges are mitered for a tight fit. To achieve a slope, the part's upper ends are cut down with a slight angle towards the front of the bench. Optionally, create a pitch using wedi Joint Sealant as a "wet shim". The wedi parts are adhered to the wall using thinset mortar or wedi Joint Sealant. Adjoining parts are glued to-



gether using wedi Joint Sealant continuously applied along all foam edges of a panel part. Excess is spread flat over the seams using a putty knife. Where the part's backs meet the wedi wall, modified thinset mortar is used in a full contact surface bed. Once the bench is built, a final bead of wedi Joint Sealant is applied to safely seal all seams to the wedi wall. The vertical front part of the bench will show a small gap to the pitched floor. Please fill with thinset mortar and alkali resistant fiberglass mesh tape by wedi, applied over this seam. Alternatively, benches and seats are offered as prefabricated units made by wedi. For longer or larger benches built from our 2" (50.8 mm) building panel, always install one spacer/support made of wedi 2" (50.8 mm) Building Panel every 18" (457 mm) in either direction. Over blue exposed foam edges please adhere a wedi Building Panel strip to foam using wedi Joint Sealant. This will create a cement based surface to adhere tile to it. Optionally, the blue foam may be covered with wedi Joint Sealant. The covering of the



blue foam areas is not necessary, where tile is used that will overlap and cover the blue area with no more than 50% of its size. Such larger tile is thinset adhered to seat including the foam surface.

The maximum weight allowance on seats or benches built with vertical supports placed every 18" (457 mm) o.c. is 500 lbs (227 kg).



wedi Building Panel for Countertops and Backsplashes

The wide variety of sizes and thickness ranges with wedi Building Panels are ideal for several applications in kitchens: Behind backsplashes over framing or solid surface, on countertops over cabinets and eliminating the customary plywood sheet. The flatness and rigidity of the wedi Panel surface make installation of special tiles much better and safer: with thin and/or large tile, mosaics, natural stone slabs or composite materials like quartz. Especially when high rise building projects allow for repeating installation formats, the lightweight wedi Panels can often be pre-tiled and installed on the job in one step. The range of Building Panels used here is from panels as thin as 1/8" (3.2 mm) to 1 1/2" (38.1 mm) or 2" (50.8 mm).

Installation of Large Format Thin Porcelain Tile Over Countertops



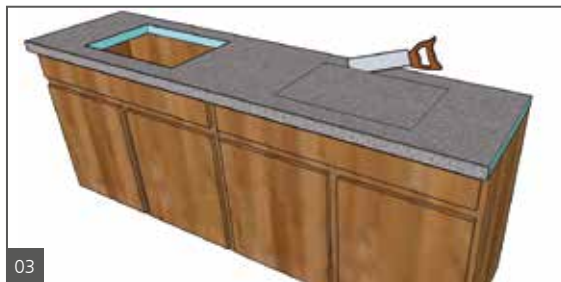
01

Apply a continuous 1/2" (12.7 mm) thick bead of wedi Joint Sealant over the spacers of your countertop. Glue down the wedi Building Panel in thickness of 1 1/2" (38.1 mm) to 2" (50.8 mm) after you have cut it to size. Leave it recessed behind the front of the counter so you can apply a strip of wedi Building Panel to the exposed foam edge as shown in 02 and still finish flush. Apply some weight equally on the surface for 15 minutes so that the wedi Joint Sealant (a strong adhesive) can set up properly under compression for about 20 minutes.



02

Apply wedi Joint Sealant and a strip wedi Building Panel in any thickness starting from 1/8" thick standard wedi Building Panels. This strip's cementitious coating side will allow you to better set small tile.



03

Cut out for the sink using a jigsaw or handsaw. As needed, recess cuts might be created with a utility knife or a router to accommodate recessed sinks. Cutting the holes may proceed before or after installation of large format, thin porcelain tile as indicated in step 05.



04

Install the large, or small format tile, including thin veneer tile, or stone to the wedi Building Panel surface and edges using a modified thinset.



05

Apply weight equally distributed across the tile until thinset mortar has set.

Installation Tips:

- wedi Building Panels starting with a panel thickness of 1 1/2" (38.1 mm) can be used over counters without additional plywood support. The wedi Panels may overhang at the countertop edges by a maximum of 6" (152.4 mm) if overhang areas are tiled top, front and bottom.
- Some large or irregular shaped countertops will require multiple panels. This makes necessary the use of an edge leveling system to maintain a smooth transition between the large format, thin porcelain tile. For timing and method of installation refer to the edge leveling system manufacturer's instructions.
- In areas where the countertop intersects with the back-splash or other vertical projections through the countertop, differential movement will occur. For these active transitions, most manufacturers recommend the use of a color coordinated 100% silicone caulk for its superior flexibility and adhesion, or when applicable a permanent metal or plastic edge treatment piece can be used.
- Full coverage of bonding mortar is critical for the impact resistance of the installed countertop. It has found that a high speed orbital sander with pad is the best way to evacuate the air and collapse the ridges under the panel. The installation guidelines for floors, including but not limited to, proper trowel and troweling technique (excluding the walk in method for embedding), should be followed for countertops.



wedi Vapor 85

A special variant of the wedi Building Panel, Vapor 85 is designed for the specific installation in steam showers and steam rooms. It will serve as a strong vapor retarder, by far exceeding the minimum requirements set by the Tile Council of North America (TCNA) for vapor retarders used in continuous use steam rooms. At the same time it offers all the benefits of the traditional and time tested wedi Building Panel: it's light yet strong. It is cut and worked with in a most clean and exact way. It adds insulation, and great adhesion to tile and other suitable surface finishes.

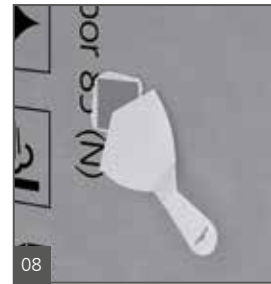
But the best feature is it is a component of a fully functioning system which was developed to also vapor-proof seams, and fastener penetrations. The Vapor 85 makes best use of wedi system technology taken from wedi Building Panel, wedi Subliner Dry, wedi Subliner Dry Sealing Tape, and wedi Joint Sealant. And of course, it works great with wedi Fundo or Subliner Dry on steam room floors.

Installation of wedi Vapor 85



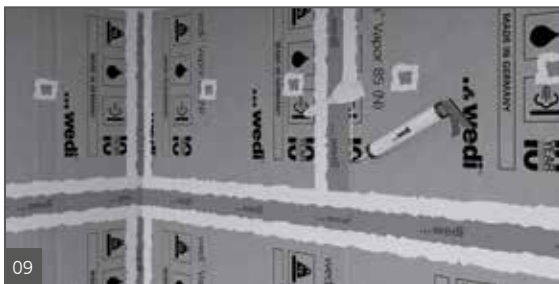
Ensure all framing and structures meet applicable wedi general requirements, building code and industry standards. Attach Vapor 85 panels to wall horizontally, and set the fasteners 1 ft. (304.8 mm) above shower floor. Use wedi's flat washers (washers without tabs) and screws. On solid or wedi built bench constructions (1 1/2" [38.1 mm] to 2" [50.8 mm] wedi Panels) install wedi Vapor 85 panels in well distributed 1/2" (12.7 mm) beads of wedi Sealant 620 spread with a space of 6" (152.4 mm) between beads. If the construction is not entirely smooth, use a full thinset mortar bed to attach using a 1/4" x 1/4" (6.4 x 6.4 mm) trowel.

All panels are butted tightly with wedi Sealant 620 continuously applied between all contact seams. Excess sealant is spread flat with a putty knife. Use only wedi's flat washers so the membrane is not twisted upon tightening the washer. On ceilings, set wedi fasteners at a rate of 1 per every 6" (152.4 mm) of framing. In addition, apply a continuous 1/2" (12.7 mm) bead of wedi Sealant 620 on every stud before attaching the panel.



Apply several beads of wedi Sealant 620 as a setting and sealing bed for wedi sealing tape. Spread the sealant with a fine tooth adhesive trowel or flat putty knife to achieve a full coverage sealant bed for the sealing tape. The minimum thickness of the sealant bed should be 1/16" (1.5 mm). The tape is centered over the seams and pressed flat into the sealant. Make sure to use a flat putty knife or paint roller to work the sealing tape flat over the seam and remove all air bubbles or any other unevenness. Excess sealant is spread flat. Sealing tape inside and outside corners, as well as collars for valves or other protrusions, are available.

Cover all fastener/ washer points with wedi Sealant 620 covering an area of 3" x 3" (76.2 x 76.2 mm) with the washer's screw at its center. Embed a sealing tape patch with a size of 2 1/2" x 2 1/2" (63.5 x 63.5 mm) into the bed of wedi Sealant 620 and press flat using a putty knife.



Use wedi Sealant 620 and wedi Subliner sealing tape and sealing collars to seal around protrusions and penetrations of the Vapor 85 in the same method as using the same method as for applying tape and fastener point covers.

Allow the wedi Sealant 620 to cure for at least 24 hours prior to setting tile and 96 hours after its application before exposing the tiled installation to water and water vapor. On floor areas, consider wedi Fundo Shower Systems or Subliner Dry sheet waterproofing membrane when working over mortar or screed surfaces (install in accordance to Subliner Dry installation manual using wedi Sealant 620 in overlapping sheet – or Subliner Dry tape covered seam connections).



Introduction to Steam Rooms and Steam Showers

Steam Showers and Steam Rooms are not only great places to relax and be healthy. For the professional installer, they are also a special challenge and great opportunity alike.

a. Structural Design, Construction, Building Materials, Technical Equipment- Before Surface Finish Installation

Steam rooms are designed to be closed rooms within which a special environment and climate exists during operation, and it exists parallel and is different compared to the climate outside that room.

Steam rooms differentiate from steam showers mostly because the latter provide the user with both options, the use as a regular shower and the use as a steam room. Steam showers are mostly used in residential settings, while steam rooms are often larger in size, and used in commercial settings and thus used for longer periods of time. In this manual, we will refer to both applications as steam rooms. In fact, wedi applies the same installation and performance requirements to both applications to keep your installation safe under all circumstances. The same recommendations apply to residential and commercial use steam rooms, large and small in size. Naturally, we will base this manual on the assumption that tile will be used as the interior surface finish, installed over tile underlayment systems provided by wedi.

A steam room construction consists of a sloped floor structure with drainage (slope 1/4" [6.4 mm]/foot), tile load bearing wall structures, a tile load bearing ceiling structure (sloped toward wall(s) at 2" [50.8 mm]/foot), and typically seats or bench arrangements (seating area sloped in forward direction 1/8" [3.2 mm]/foot). While their general design reflects that of a shower in many ways, steam rooms require a completely sealed room design including the added ceiling and a sealed door and door frame arrangement. In addition to water exposure, steam rooms must be able to handle and manage water vapor and high temperature and temperature change exposure.

Structural walls, ceilings, benches can be constructed from wood or metal framing or may be solid brick, concrete or cinderblock. Wall and ceiling structures shall be continuously insulated even though they may entirely be interior structures with no walls being part an exterior structural wall of the building. In some areas of types of buildings, part of the wall and ceiling structures may need to be clad with fire rated panels such as fire resistance rated cement board if on inside of a framed wall, or drywall if on safely dry exterior parts of same wall or ceiling setting. Sprinklers may also be required especially in Type I and II building commercial or occupational use buildings.

Structural subfloors may be made of concrete, screed or wood based. Door frames should be made from aluminum or stainless steel 316 when a frame is used. Glass doors shall be at minimum 3/8" (10 mm) thick reinforced safety glass and shall not be equipped with a lock and always open to the outside. Where no frame is used to tightly seal the door construction which allows for a tight seal of the glass door when closed, meticulous attention must be paid to install alternative systems in equally tight fashion. This can prove to be a challenge, as most non door frame systems are designed for use in showers and water vapor may easily escape which must not be allowed to happen. Generally, it is a good practice, however, to leave an open gap (1" [25.4 mm]) between floor surface and bottom of the glass door to guarantee access for fresh air and oxygen at all times.

All wall, ceiling, bench, floor and other structures to be finished with tile or other surface finishes require the placement of tile or other finish underlayments on the structure's interior side. The underlayments must be appropriate for attachment to the substructures, and also must be appropriate as a bond surface for the tile and environment it is placed into - such as wedi Building Panel.

Equipment for steam rooms include a steam generator, closely located to the unit. It will produce the water vapor, which is forced into the room through an insulated copper pipe led through the wall in an area no less but also no higher than 12" (304.8 mm) of the steam room floor. The copper pipe should be as short and as straight as possible for optimal performance. Condensation may collect in pipe elbows or angles. Where the copper pipe penetrates the wedi wall panel, it must still be insulated to not melt the wedi foam core. Appropriate insulation tape should be heat resistant. The vapor inlet should be equipped with a shield making direct contact between users and the ca. 200° Degree Fahrenheit hot water vapor impossible. The inlets should not be located in areas where users move or sit. The inlet should not point the vapor directly against tile and grout surfaces.

Elaborate shower equipment and plumbing installation may be present, and at least a handheld shower or a hose connection should be considered to clean surfaces in commercial use steam rooms more efficiently.

Lighting must be sufficient and guarantee safety of the users in a foggy space. Lighting may consist of LED or low voltage lights, chromotherapy lighting systems or fiber optic lighting sticking out from the ceiling where the fiber strings are bundled on top of the ceiling and connected to a light source. Audio entertainment and speaker systems may be present, as well as equipment for aromatherapy.



Heating systems, when used in steam rooms, should be hydronic systems. Caution must be applied before deciding to heat surfaces. This extra heat may interfere with temperature guided steam generator operation. In addition, when a steam room is operating at constant and high temperature levels, the water vapor will likely be less visible than would be desired. To see vapor fog, the water vapor must meet air cool enough to bring the water vapor close to its dew point (which fluctuates with density of vapor molecules in air). Cooler air is usually more prevalent in the lower areas of the steam room.

Generally, all equipment used in steam rooms must be chosen based on their suitability for steam room use. Electric equipment and fixtures must be rated for submerged use and carry an IP 67 class rating. Lighting may produce heat and such heat should always be projected away from structures. Caution is necessary when working with lighting commonly used in pools. These are often cooled by the pool water which does not occur in steam rooms. All metal based equipment and fixtures should be corrosion resistant on the level of stainless steel 316.

Please ensure the manufacturer of all materials and equipment specifically approves the installation and use in a steam room environment and is able to advise a safe and water and water vapor tight installation process.

b. The Special Challenges to Prepare the Steam Room for Water, Water Vapor and Temperature Exposure Management

During a steam room's operation, a steam generator forces water vapor into the steam room and the air is quickly saturated with moisture and up to a level of 98 % or more relative humidity. While H_2O water molecules are in a state of gas form, they also carry great energy, and move rapidly and randomly. They are not as tightly packed as the same H_2O molecules in a liquid state (plain water), in which they also move much slower.

Water vapor molecules constantly threaten to penetrate the steam room structures including walls or ceiling but also benches or similar structures, including floors. If that is allowed to happen, the water vapor and, subsequently, the condensation that it forms, may cause damage to framing, subfloors, electrical installations, the adjacent room or equipment and materials outside the steam room.

H₂O in its gaseous form (vapor) can penetrate conventional waterproofing membranes. These membranes are designed to withstand penetration of water in its liquid form. Liquid, plain water presents a larger and tighter mass of H₂O molecules and is a less energetic unit in comparison. Particularly, if the vapor molecules escape and meet their dew point inside structures, and then condensate, the condensation remains inside these structures and causes damage that may not be immediately detectable, but massively and continuously present. Wall and roof structures are typically colder, because they are in contact to the outside environment of the steam room. This attracts much condensation on the inside surfaces of the steam room, such as tile. But what is not immediately apparent is, that the water vapor also enters into the equally cold grout and thinset layers until stopped. Insulation inside a wall cavity or structure is therefore important, as it will moderate the climate variation and difference to the outside. This helps prevent excessive condensation and will allow the vapor to circulate more effectively, and it will help saving energy.

The water vapor saturation inside the steam room is maintained through the temperature in the steam room. Average temperature levels are maintained between 100 – 120 Degree Fahrenheit. When the temperature level drops, a feeler activates the steam generator to produce more hot water vapor. The warm temperature is directly caused and maintained by the hot vapor entering the steam room. There is a constant vapor pressure kept on a high level, up to saturation, which is the point at which the steam generator produces as many water vapor molecules that are separating from its water fill as there are water vapor molecules reverting back into liquid condensation inside the room. This condensation is most noticeable when it drips like warm to hot rain off the roof of the steam room. This is why it is important to design a slope of 2" (50.8 mm) per foot into ceiling structures and a recommended 1/8" (3.2 mm) of slope for bench seating areas, so most condensation is lead to the wall, over the benches and towards the slope (1/4" [6.4 mm]/foot) and drain of the steam room floor. Temperature, also in combination with moisture, prompts many materials to expand or contract and at varying degrees, which may impact the steam room functionally and cosmetically. Movement in materials of all construction layers and in between connected parts, product and equipment can cause cracks, leaks and bond issues.

To mitigate the risk from water, water vapor and temperature exposure, the waterproofing and vapor proofing or retarder is placed directly on the inside of the tile underlayment surfaces, where it will now be located directly below the tile adhesive, tile and grout material layers. Insulation is installed behind the tile underlayment.

c. How wedi Can Offer a System to Simplify Construction and Ensure Safe Operation in Consideration of a Steam Room's Special Challenges

wedi Building Panel is a tile backer board and underlayment, which offers insulation and waterproofing all in one product. wedi offers its range of pre-fabricated and pre-sloped Fundo shower floors incl. line drains or point drains for the floor. Besides wedi's regular tile backer boards in 1/2" (12.7 mm) and 5/8" (15.9 mm) thickness for use over existing wall, ceiling or bench structures, framework or solid, wedi also offers an optional 2" (50.8 mm) thick panel. When used at walls and ceilings they could replace framing or other structures and conventional insulation in one step when installed in a free standing concept. They can be used to build benches completely eliminating conventional structures. Such conventional structures can present challenges in steam rooms. Particularly wood materials move, when exposed to temperature changes, and this creates a risk for sealed seams and may cause cracks in surface finishes. When shap-



ing curvy benches or round walls, the 2" (50.8 mm) wedi Panels can complete this job much quicker than for example concrete materials, and without need for time consuming skim coating to get a structure ready for intricate mosaic tile. With our systems, you have two options to provide a strong vapor barrier on top of the wedi Building Panel basis. One option includes the use of wedi Subliner Dry over wedi Building Panel or other suitable surfaces. The other option is Vapor 85, our wedi Building Panel with Subliner Dry factory applied to one side.

Naturally, wedi's product systems are not supporting mold growth. With one system, the entire interior tileable surface is now created and sealed tight right below the level of tile and setting materials. wedi's vapor barrier successfully retards all water vapor targeting it and it is the direct bond surface for tile. It exceeds

the requirements set by the Tile Council of North America as shown in the steam room details SR613 and SR614 in their Handbook for Ceramic, Glass, and Stone Tile Installation. In their details, the TCNA requires the permeability of a vapor retarder to be below .5 perms when tested using ASTM test method E96, Method E, and with test environment set at 90% R.H and 100° F temperature. The second option, our wedi Vapor 85 is a specialized wedi Building Panel equipped and pre-laminated on the vapor exposed side with wedi Subliner Dry, a strong vapor retarder in sheet membrane form. In such assembly, seams and fastener areas are covered and sealed tight using Subliner sealing tape in combination with wedi Joint Sealant. The wedi Vapor 85 Building panel will be introduced in June of 2019 and is thoroughly tested on the basis of well-known wedi product and listed under wedi's ICC PMG 1189 Certification and Quality Assurance program. In fact, wedi Subliner Dry and Vapor 85 assemblies incl. their seams were tested to ASTM E96 method E at 100°F and 90% humidity, and achieved a perm rating of 0.03 by far exceeding TCNA requirements.

wedi Building Panels in all their sizes and thicknesses also help achieving success when working on smaller but crucial details and offer safer installation experience. They cut tight and clean around protrusions and equipment allowing for tight sealant and vapor barrier application, such as wedi's Subliner Dry membrane. They install tight at seams and are strong tile backer boards providing a gritty and very even and consistent surface you will love when tiling. Their sealed joints offer strong waterproofing but also flexibility, replacing the need for slip joints as required with conventional installation methods and materials. When working on ceilings, its lightweight nature keeps you working fast and safe. Especially when thicker wedi Building Panels are used, these may be connected in Z notch or tongue and groove fashion. This may come in handy when creating connections in ceilings and especially where walls meet sloped ceilings. Their fabrication on site is comparably quiet and causes little to no debris or dust keeping a clean environment further helping the speed of installation and allowing seals and material adhesion to proceed without risk of contamination by dust particles or debris.

d. The Surface Finish in Steam Rooms

It is important to protect the steam room structures against exposure and migration of water vapor and water into any those structures by placing waterproofing and a sufficient vapor retarder as close to the inside surface of the steam room as possible. Insulation behind these protective layers work well to mitigate issues caused by movement of many of the building materials and structures which may react to temperature and its frequent or even abrupt change.

Where steam rooms are tiled, it will come naturally that the tile, tile adhesive and grout, will be left exposed to temperature and are also subjected to water and water vapor absorption potential. This is because most tile and setting materials are, to varying extents, absorbing materials - whether due to their nature or production, or due to limitations in their installation method. Natural stones usually offer higher absorption rates than certain glass or porcelain tiles. Many natural stones are easily affected by the steam room environment and offer potential for discoloration and can also contribute to and support the process of efflorescence occurring. Bond adhesives, such as certain epoxies, may be impervious in itself, but it must be assumed that they cannot be installed providing a 100% coverage under tile and on the next layer below. Neither can grout materials offer this protection, even if they are impervious epoxy materials, and even if they fill straightest grout lines between very large, rectified and low absorbing porcelain tile. There always remains a risk that the potential seal and adhesion of grout to tile edge offers gaps. Do not rely on tile or setting material to function as a way of water or water vapor proofing. It remains, however, best practice and is important, to choose a most fitting combination of setting materials and surface finish systems that are made to endure in submerged and water vapor exposed, high temperature and abrupt temperature change environment and work with each other in this climate. A best practice for the choice of surface finish or tile includes choosing rectified, dense tile with lowest absorption rates (ANSI 137.1 rated for <.5% vol. absorption) and as large in size as possible. Rectified and large in size helps minimizing grout line exposure surface as well as it helps to align grout lines for a tightly packed fill. On the other end of the scale, Natural Stone is not recommended for use in a steam room. For safety in a wet area, the tile for the floor or stadium seating benches should provide the adequate coefficient of friction (0.42).

Adhesives and grout must also withstand the exposure the elements and climate, as well as aggressive cleaning and cleaning materials over time. They must remain unaffected in their adhesion qualities to substrate and tile, and not produce reactions such as efflorescence, which is a common side effect with cement based materials, when constantly exposed to water or water vapor pressure. Water moving through the construction layers may take on soluble salts and may deposit them when surfacing. Efflorescence is mostly known as a cosmetic issue as it causes such discolorations and deposit residues on surfaces. But it may develop into a functional issue. Trapped or continuously present sub-tile moisture expands when heated or continuously entering below the tile as vapor, applying stress to adhesive systems. Salts can also crystallize within the adhesive line, causing break down of the adhesive.



Many epoxy based bond mortars and grouts (ANSI 118.3), often also available as one product used for both setting and grouting the tile, have a good potential to help minimizing vapor migration into grout lines and between tile and setting bed surfaces over tile underlayment/vapor or waterproofing layers. They also have good potential to retain their bond strength over time but must be recommended for use in higher temperatures. They will not contribute to efflorescence and withstand aggressive cleaning better than most cement based setting materials. One disadvantage is the lack of flexibility which is natural to epoxy based materials. This might present an issue where tile is chosen that will expand and contract at higher rates in the steam room environment.

A better alternative to epoxy might be found within the range of setting mortars classified under ANSI 118.15. These thinset mortars are developed to work with tiles we particularly favor in steam rooms, including large format tile and glass tile. They are developed to endure under submerged applications and offer flexibility as most modified mortars do. They should be used in combination with solid epoxy grouts, however.

No matter the choice of tile and setting material, wedi recommends the use of expansion joints in all tile surfaces. The placement should be at perimeters and corners, where planes generally change, and every 8 ft. in either direction in large surface areas. Materials used for these joints must be fit for use in steam rooms. Many sealants may not handle the moisture/submersion, heat well.

The TCNA also stresses the proper design of steam rooms including placement expansion joints in tile, see Details EJ171 (refer to exterior application type as being most close to the application of steam rooms in terms of extreme exposure levels) for more details such as width and materials recommendations.

When installing tile in steam rooms, please ensure all best practices for setting techniques and goals as outlined in the TCNA handbook are followed. The same is true with tile and setting materials' manufacturer recommendations. Of particular importance is that a coverage of between 95 and 100% of thinset and high bond strength between immediate substrate and back of the tile are achieved. This requires setting over clean, flat, even, square and plumb surfaces which are best created and secured when at the framing or subfloor preparation state. Important is good thinset mortar transfer to the tile even if mesh backed (with a mesh safe in submerged applications and unaffected by alkalis present in mortars). Grout should be tightly packed. Setting materials must be given time to fully cure before a steam room is used. Ensure the manufacturers recommendations incl. for the mixing, installation and cure times are followed to the point.

e. General Product Requirements and Recommendations

Many of the challenges to structures and product, whether to be shaped on site or installed as manufactured, are pointed to in the sections above. Many of the very relevant recommendations were provided. However, it is supremely important the installer or planner of steam rooms chooses each detail of design, installation or product only after most thorough research and investigation into the fitness of such products or work product so they may endure in steam rooms. Equally important, each product must retain their properties and remain unaffected over time as they work in their placement within a system and attached to other product which may affect them (example: they expand or contract at different rates). Ensure each product and the entire concept will be vapor proof, waterproof, and will manage within the temperature range of variations, the climate and cleaning exposure climate.

The steam room will only work if all components work as a system. It is important the fitness is verified with manufacturers and they should warrant the product's performance within the system as planned. While manufacturers will not be able to warrant a steam room system where it includes other products, they can warrant that their product will be warranted if and when installed in a certain complete design.



f. Workmanship, Knowledge and Skill Level Needed

The installer and planner of steam rooms will have to meticulously verify not only proper design and product choice. The execution of the work on such installation is equally important and requires maximum attention to detail: Most importantly, the focus is set on eliminating any possibility of breaches or pin holes which would allow vapor to escape the room or migrate deeper than planned into any product or layers. This includes that particular attention must be paid to a vapor proof installation of all protruding equipment including lighting, sprinklers, possible vents, plumbing and shower fixtures, the steam inlet, the door assembly. These installations need to be sealed in vapor tight where the seal can connect with the room's vapor barrier so the vapor barrier forms a continuous layer. Such seals may not be deferred to topical applications on the tile level such as through sealing in escutcheons. This should be done too, but the vapor will also be present below the tile and therefore, it must be addressed right there. Accidental damage to water or vapor proofing must be avoided and checked. The proper installation is also a significant part of a wholesome steam room concept to work successfully and over time.

* wedi cannot guarantee or warrant specific recommendations made here as they pertain to non wedi product. We believe the statements made here to be best practices, and we also recommend to follow manufacturers recommendations for product performance, suitability and installation process, and to ask each manufacturer for warranty coverage applicable to a specific project design.

Technical Properties ■ wedi Systems

Properties & Test Methods Value (wedi Building Panel and Fundo Shower System Components)		
ASTM C 578 *	Standard Specification for Rigid, Cellular Polystyrene	Compliant
Thermal Conductivity *	75°F (25°C) - ASTM C518	0.23 Bbtu in/hr F
R-Value *	75°F (25°) - ASTM C518	4.3hr ft. 2 F/Btu/in (R Value for 1" wedi = 4.3)
Tensile Strength ***	ASTM C297	65 psi
Shear Strength *	Under conditions required in ANSI A118.10-1999	28 day Shear Strength: 95 psi 84 day Shear Strength: 100 psi 100 day Shear Strength: 98 psi
Waterproof***	ASTM D4068 / ANSI A118.10-1999	Passed
Waterproofness of Assembly ***	ASTM E331	Passed, wedi Fundo Kit assembly (complete system)
Water Vapor Transmission****	ASTM E 96-2016	Permeance/Perms 0.03 and WVT (grains/h x ft ²) 0.05
Capillarity ***		0
Fungus / Bacteria Resistance ***	ASTM G21	Passed, No Growth
Flexural Strength *	ASTM C947	627 psi
Robinson Floor Test *	ASTM C627	Heavy duty commercial use, passed *
Fastener Pull Through *	ASTM C473	Wet 131.8 lb./Dry 196.2 lb.
Temperature Limits *		-58 / +175° F
Freeze & Thaw *	ASTM C666 - 25 Cycles	No disintegration/change
Accelerated Aging *	AC 71 - 25 Cycles	No disintegration
Linear Variation ***	AC 159/ASTM 1037-39	Passed, less than 0.07%
Surface Burning Characteristics *	ASTM E84-16 (NFPA 255, ANSI / UL 723, UBC 8-1) Tested as required without tile on Building Panel surface	Flame Spread Index (FSI): 20 Smoke Developed Index (SDI) : 70 Classification: Class A
Floor and Trench Drain Compliance **	ASME A112.18.2	Passed, Compliant (ICC PMG 1189)

* wedi Building Panel tested

** wedi Fundo Floor Systems tested

*** Entire wedi shower system tested

**** "Vapor 85 assembly incl. seams". Test standard is ASTM E 96 Method E at 100 F* and 90 % R.H.

* Consult wedi for proper subfloor, tile, setting materials choice to design heavy duty commercial use floor surfaces.

Weight for wedi Building Panels	Width	Length	Thickness	Weight
	3'	5'	1/4"	8.07 lb.
	3'	5'	1/2"	8.67 lb.

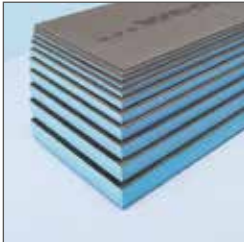
Approvals & Certificates				
Approvals and certificates applicable to entire Fundo Shower System incl. wedi Building Panel	City of New York, MEA 912-52-SM	Fundo Shower Systems & Building Panels: ICC PMG 1189 (for USA and Canada)	Meets all applicable ANSI/ISO Standards incl. ANSI 118.10 and IAPMO PS106	TCNA handbook recognized for wall, floor, countertop, & more applications
	City of Los Angeles Approval	BBA (British Board of Agrément)	DIN EN ISO 9001	CE marked
	Diverse State Approvals			
	SAI Global Watermark Certified (Australia & New Zealand)			
	Codemark Certified (Australia & New Zealand)			

Environmental Consideration
Contains no unbonded fire retardants like HBCD, and contains no ozone depleting and/ or greenhouse gases like CFC, HCFC, or HFC. *GWP: Measured is the impact from production of product over use through to disposal of product.

ICC-PMG 1189 Report ■ National Building Code Compliances


WEDI FUNDO SHOWER SYSTEM AND TILE BACKER BOARD UNDERLAYMENTS	
CSI	DIVISION: 22 00 00 – PLUMBING Section: 22 40 00 – Plumbing Fixtures (Shower System Kit)
Product certification system	The ICC-ES product certification system includes testing samples taken from the market or supplier's stock, or a combination of both, to verify compliance with applicable codes and standards. The system also involves factory inspections, and assessment and surveillance of the supplier's quality system.
Product	wedi Fundo Shower System and Tile Backer Board Underlayments
Listee	wedi Corporation 1160 Pierson Drive Batavia, IL 60510 www.wedicorp.com
Compliance with the following codes	2018, 2015, 2012 and 2009 International Plumbing Code® (IPC) 2018, 2015, 2012 and 2009 International Residential Code® (IRC) 2018, 2015, 2012 and 2009 International Building Code® (IBC) 2015, 2012 and 2009 National Standard Plumbing Code® (NSPC) 2015, 2012 and 2009 Uniform Plumbing Code® (UPC)* 2015, 2010 and 2005 National Plumbing Code of Canada** * Uniform Plumbing Code is a copyrighted publication if the International Association of Plumbing and Mechanical Officials ** National Plumbing Code of Canada is a copyrighted publication of National Research Council Canada
Compliance with the following standards	ANSI A 118.10-2014, Load Bearing, Bonded, Waterproof Membranes for Thin-Set Ceramic Tile and Dimension Stone Installations ASME A 112.6.3-2016, Floor and Trench Drains ICC-ES EG 159, Evaluation Guideline for Composite Backer Board (Approved Dec 2004) ASTM E 96-2016, Standard Test Methods for Water Vapor Transmission of Materials ASTM E 331-00(R16), ASTM E331-00(2016) Standard Test Method for Water Penetration of Exterior Windows, Skylights, Doors, and Curtain Walls by Uniform Static Air Pressure Difference ICC-ES AC 71, Acceptance Criteria for Foam Plastic Sheathing Panels Used as Water Resistive Barriers (Approved Feb 2003, Ed Revised Nov 2018) IAPMO PS 46-2012, Field-Fabricated Tiling Kits IAPMO PS 106-2015e1, Tileable Shower Receptors and Shower Kits
Identification	Packaging label for each system shall include the manufacturer's name or trademark as well as the ICC-ES PMG certification mark.
Installation	The wedi Fundo Shower Systems shall be installed in accordance with the manufacturer's published instructions and the applicable code(s). Shower system components shall be assembled and can be customized in the field. All shower bases and panels can be cut to size with hand saws or skill saws. Round curvy cuts can be made with a hand saw or jig saw. When provided drains must comply with ASME A112.18.2/CSA B125.2 as applicable. The wedi pre- sloped, ready-to-tile shower bases may be used in lieu of a CSA B45.5/IAPMO Z124 plastic shower receptors or any liner based shower installations. The wedi drain units do not require weep holes.
Listed Models and Characteristics	The wedi Fundo shower bases are waterproof, pre-sloped, ready-to-tile floor units. The waterproof wedi Building Panels are engineered as a general purpose backer board and underlayment for tile and consist of a rigid extruded polystyrene foam covered on both sides with a cement-based resin surface and reinforcing mesh for durability and bonding with any type of thinset mortar. The shower floors with linear and point drainage include factory sealed parts integrated into the floor base. Floor and wall system assembly and wedi components for shower installations were proven to be water- proof, water-resistant, and mold resistant when tested in accordance with A 118.10-2014. Shower system may include the following components: shower base, building panels, curbs, niches, seats, benches, ramps, vapor barrier, fasteners, cover plates, sealants, Fundo drains, Subliner sheet waterproofing membrane system with .Subliner Bonding Flange drain, wedi Building Panel Vapor 85 and sealing membrane Vapor 85 The wedi Fundo family line includes the following: Primo, Riolo neo, Riolo neo Modular, Riofino, Discreto, Ligno and Onestep.
Conditions of Listing	1. The wedi Fundo Shower Systems shall be installed in accordance with the manufacturer's published instructions and the applicable code(s). 2. The wedi Fundo Shower Systems are manufactured by wedi GmbH, in Emsdetten, Germany and in Batavia, Illinois, USA under a quality control program with annual surveillance inspections by ICC-ES.

wedi Building Panel




Description	Width × Length × Height	Unit/Pallet	Item #
wedi Building Panel	3' × 5' × 1/4" (914 × 1524 × 6 mm)	50 panels = 750 sq. ft.	010718006
wedi Building Panel	3' × 5' × 1/2" (914 × 1524 × 12.7 mm)	50 panels = 750 sq. ft.	010717064
wedi Building Panel	2' × 4' × 1/8" (600 × 1200 × 4 mm)	136 panels = 1,088 sq. ft.	010000004
wedi Building Panel	3' × 5' × 5/8" (914 × 1524 × 15.8 mm)	50 panels = 750 sq. ft.	010716316
wedi Building Panel	2' × 8' × 1" (600 × 2500 × 25.4 mm)	56 panels = 896 sq. ft.	010719325
wedi Building Panel	2' × 8' × 3/4" (600 × 2500 × 20 mm)	50 panels = 800 sq. ft.	010000020
wedi Building Panel	2' × 8' × 1 1/4" (600 × 2500 × 30 mm)	36 panels = 576 sq. ft.	010000030
wedi Building Panel	2' × 8' × 1 1/2" (600 × 2500 × 40 mm)	36 panels = 576 sq. ft.	010000040
wedi Building Panel	2' × 8' × 2" (600 × 2500 × 50 mm)	24 panels = 384 sq. ft.	010000050
wedi Building Panel	2' × 8' × 3 1/15" 600 × 2500 × 80 mm	12 panels = 192 sq. ft.	010710080 (special order only)
wedi Building Panel	2' × 8' × 3 9/10" 600 × 2500 × 100 mm	20 panels = 320 sq. ft.	010710199 (special order only)

wedi Building Panel XL & XXL




Description	Width × Length × Height	Unit/Pallet	Item #
wedi Building Panel XL	3' × 8' × 1/2" (900 × 2500 × 12.5 mm)	26 panels = 624 sq. ft.	010000912
wedi Building Panel XXL	4' × 8' × 1/2" (1200 × 2600 × 12.5 mm)	50 panels = 1,600 sq. ft.	010001612
wedi Building Panel XXL	4' × 8' × 2" (1200 × 2500 × 50 mm)	12 panels = 396 sq. ft.	010001250

wedi Vapor 85 | Building Panel for Steam Rooms/Showers




Description	Width × Length × Height	Unit/Pallet	Item #
wedi Vapor 85	2' × 8' × 1/2" (600 × 2500 × 12.5 mm)	50 panels = 800 sq. ft.	010702012
wedi Vapor 85 Available at the beginning of 2020	3' × 8' × 1/2" (900 × 2500 × 12.5 mm)	50 panels = 1,200 sq. ft.	010702912

wedi Sealant 620

	Description	Contents	Unit	Item #
	wedi Sealant 620	20 oz. (600 ml)	1 Sausage	US5000083


! Used to seal between overlapping Subliner Dry seams and to install and seal Subliner Dry sealing tape over seams.

wedi Fastener Kit


	Description	Length	Unit	Item #
	wedi Fastener Kit	100 wedi Coarse Thread Screws 1 5/8" (41.5 mm) 100 wedi Tab Steel Washers	1 pc	US5000070

i Phillips head for wood studs, premium ceramic coating (ACQ Compliant). For installation to wooden and metal framework (20 gage).
Tabbed washers provide four tabs for fast and secure placement. wedi Washers provide a solid gauge according to ISO standards and less potential for deformation. Load capabilities are independently tested.

wedi Accessories | Coarse Thread Screws, Ceramic Coating


	Description	Length	Unit/Box	Item #
	Coarse thread screws, ceramic coating, for wood and metal studs 20 gauge and lighter	1 5/8" (41.5 mm)	100 pcs	US5000016
	Coarse thread screws, ceramic coating, for wood and metal studs 20 gauge and lighter, for Canadian markets only	1 5/8" (41.5 mm)	100 pcs	US5000017
	Coarse thread screws, ceramic coating, for wood and metal studs 20 gauge and lighter	1 5/8" (41.5 mm)	1000 pcs	US5000012
	Coarse thread screws, ceramic coating, for wood and metal studs 20 gauge and lighter	3 1/2" (88.9 mm)	100 pcs	US5000050
	Fine thread screws, zinc coating, for metal studs 18 gauge and heavier	1 1/4" (31.75 mm)	100 pcs	US5000018

wedi Accessories | Tab Steel Washers, Galvanized

	Description	Diameter	Unit/Box	Item #
	Tab Steel Washers, Galvanized	1 1/4" (32 mm)	1000 pcs	US5000009
	Washer, without tabs for flooring and use with wedi Vapor 85 Building Panel, Galvanized	1 1/4" (32 mm)	100 pcs	US5000015

i Tabbed washers provide four tabs for fast and secure placement. wedi Washers provide a solid gauge according to ISO standards and less potential for deformation. Load capabilities are independently tested.


wedi Accessories | Meshtape, Self-adhesive



Description	Width × Roll Length	Unit/Box	Item #
Meshtape, self-adhesive	5" × 82' (125 mm × 25 m)	1 roll	095225053
Meshtape, self-adhesive *Special Order	24" × 164' (600 mm × 50 m)	1 roll	095215052


i The mesh tape is alkali resistant.

wedi Accessories | Waterproof Sealing Tape, Fleece Laminated



Description	Width × Roll Length	Unit/Box	Item #
Waterproof sealing tape, fleece laminated	5" × 32.8' (127 mm × 10 m)	1 roll	US5000002

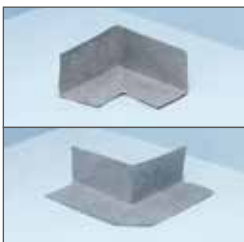
wedi Accessories | wedi Tub Sealing Tape with Waterproof Butyl Connection Strip



Description	Width × Roll Length	Unit/Box	Item #
wedi Tub Sealing Tape with Waterproof Butyl Connection Strip	4.72" × 11.8" (120 mm × 3.6 m)	1 roll	US5000084



i Use with wedi Joint Sealant to affix to horizontal framing blocks

wedi Accessories | Corner Sealing Tape, Fleece Laminated





Description	Dimensions	Unit	Item #
Waterproof inside corner sealing tape, fleece laminated	4 3/4" × 4 3/4" × 2 1/4" (120 × 120 × 57 mm)	2 pcs	US5000007
Waterproof outside corner sealing tape, fleece laminated	4 1/2" × 4 1/2" × 2 1/4" (115 × 115 × 57 mm)	2 pcs	US5000008



wedi Sealing Collars

	Description	Dimensions	Unit	Item #
	Waterproof Sealing Collar for 1/2" to 3/4" plumbing pipes and protrusions	4 3/4" x 4 3/4" (120 x 120 mm)	1 pc	US5000033
	Mixing Valve Flexi Collar	Diameter 5" (127 mm)	1 pc	US5000000
				


wedi Joint Sealant | MS Polymer Sealant and Adhesive

	Description	Contents	Unit	Item #
	wedi Joint Sealant, MS polymer sealant	10.5 oz. (310 ml)	1 Cartridge	US5000013
	wedi Joint Sealant, MS polymer sealant	20 oz. (591 ml)	1 Sausage	US5000010
	! Permanently flexible, waterproof sealant and adhesive for joint treatment.			

wedi Sausage Gun | Gun for MS Polymer Sealant Sausages and Replacement Tips

	Description	Unit	Item #
	wedi Sausage Gun, gun for wedi joint MS polymer sealant sausages	1 piece	US5000019
	wedi Sausage Gun Replacement Tip	per piece	US5000020

wedi Tools | Corner Putty Knife

	Description	Unit/Bag	Item #
	wedi tools, corner putty knife for wedi shower system installations	1 pc	US5000044
	i Use to smooth out wedi Joint Sealant applications.		



Shown here is one of our optional drain cover designs. Further models are shown on page 111.

Waterproof Shower System Solutions

wedi Fundo

wedi Waterproof Shower Systems offer reliable, cost-efficient solutions for constructing 100% waterproof and mold proof showers. These systems are easy to install and open up a whole new world of design possibilities for showers, wet areas and baths. wedi shower systems blend the traditional values of design flexibility and robustness while offering the added benefits that come with state of the art material and manufacturing technologies.

Used in combination with wedi Building Panels on walls, our shower bases offer an excellent alternative to traditional installation methods. The modular system character is defined through an interlocking system and installation methodology using wedi's „Z-Notch connections“. These are channels at the perimeter of wedi Shower Bases into which wedi Building Panels and other components lock and seal. These channels are minimum 1/2" (12.7 mm) wide and a minimum of 3/8" (10 mm) deep, but may otherwise be modified to fit field conditions and accommodate a tight fit between parts and wedi Joint Sealant in between. No more presloping, pan liner cracks or membrane pin holes, clogged drain weepholes and mold growth. Plus, reduce the traditional shower method's installation time and down times for a full shower floor preparation for tiling from 2 – 3 days to now 30 minutes. Fundo is available as point drain, linear drain or special floor level shower systems. Once installed it is a tough floor element with no sponginess which is known to be a characteristic to some foams used in tile underlayments, including EPS, or light and low density XPS or Polyisocyanurate. On wedi: put up a ladder, walk on it, work on it. You may also drop a tool without inflicting irreparable damage.



wedi Fundo Primo

The wedi Fundo Primo Shower System features a square drain cover point drainage solution for fast and safe renovation and new construction installations. Primo is internally waterproof due to its wedi XPS foam's closed cell structure and naturally protects against mold or mildew like every wedi XPS foam based product. It is fast and clean to cut to fit custom designs while the level of prefabrication reduces installation time significantly. The shower floor units feature a strong and pre-sloped surface which can be tiled over immediately whether you choose mosaic size or large format tile. Drain unit and drain cover set is always included with each Primo shower floor unit while further optional drain cover designs are available. Pre-sloped extension panels are available so that virtually no limit exists for making any size or shape for custom shower designs happen.

The added values offered by Fundo Primo come in the form of many more performance advantages. Naturally, Fundo Primo is insulating keeping surfaces warmer. Especially when compared to traditional mortar bed installations or other currently known methods for building showers such as those including use of sheet – or liquid waterproofing membranes used in an attempt to manage water exposure – wedi Fundo Primo's simplicity and high performance shows. The installation combines many manual and separate installation steps and materials usually needed into very few. Fundo Primo adds speed, safety and consistency to your installation: Measure, possibly cut, thinset to subfloor, connect drain – done. The most unique advantage, however, is the complete and natural core waterproofness of the wedi product and its completeness and range of components that will form an entire assembly system with Fundo Primo engineered to fit and last. A true system with full warranty coverage.

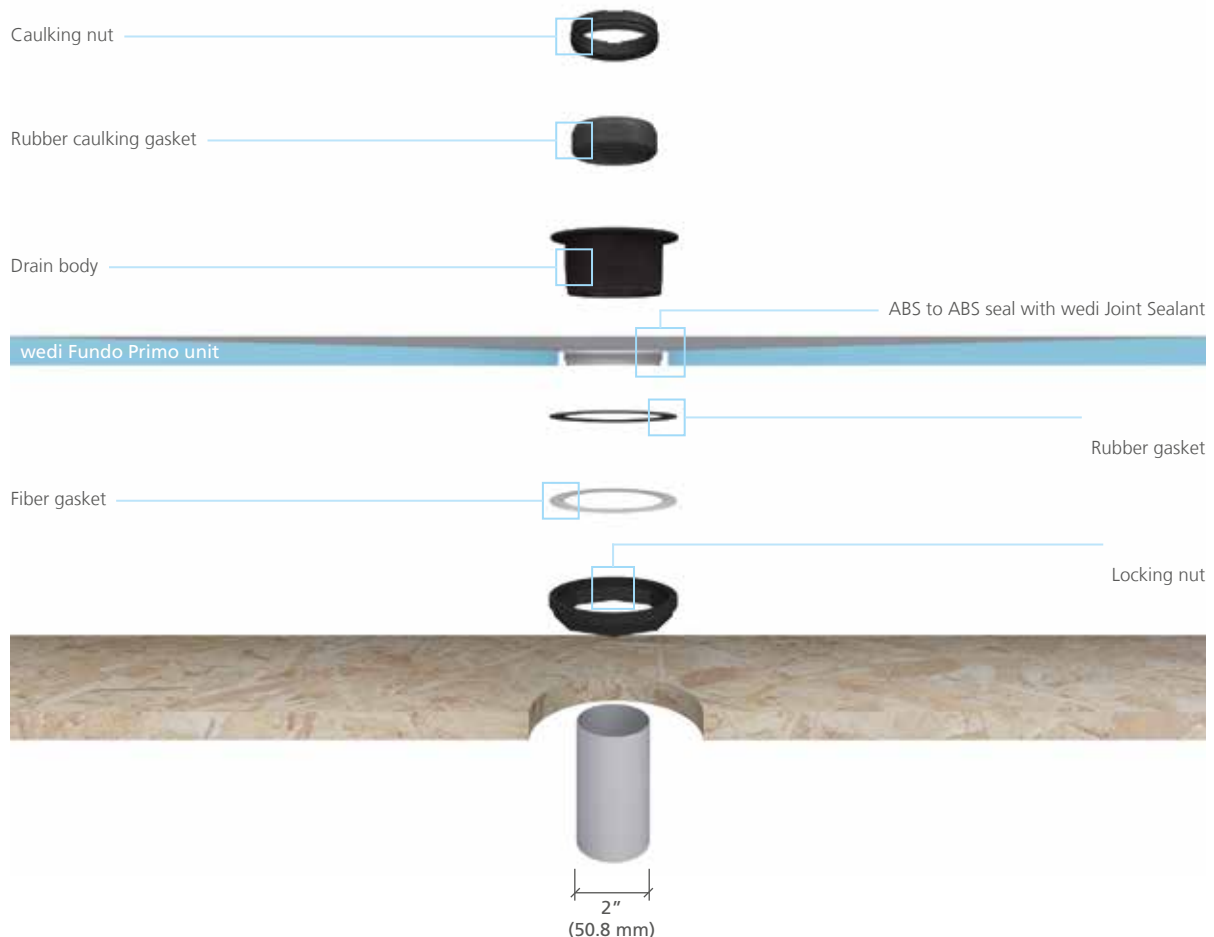
Product Information

These added values and its detail perfections eliminate the technical concerns in shower installations. But this is not where wedi shower systems stop offering it's added values: The wedi Fundo shower system adds to your productivity and enables you to provide real value to your customers: Our wedi Fundo Shower systems reduce the installation time for just the shower floor from a 2–3 day process (includes drying times) to only 30 minutes when compared to traditional methods built with pre slope, vinyl liner and final mortar bed. wedi helps you to turn showers into service quicker, cleaner, safer. Especially for our contractors, Fundo Primo helps to get to setting tile faster and on a much more consistent and tile friendly surface. Customers will appreciate the „no noise and no dirt and dust“ installation. The wedi products do not contain harmful ingredients providing peace of mind to contractors and end users.

Note for Installation

Optionally a glue drain can be obtained from wedi. For a cement glue connection, the floor pipe must be cut 2 1/4" below the surface of the subfloor. Optionally a brass drain can be obtained from wedi. The installation proceeds as shown for the standard ABS drain provided with each Fundo Primo base.

Drain to Base Assembly



! Several Fundo Primo models naturally feature different perimeter height or thickness at the edge. Therefore, pre-made standard notch connections of wedi curbs must be modified in the field for a tight fit to the bases. Ramps and Extension panels can naturally not fit to all models and might be modified in the field as well.



wedi Fundo Primo Installation

Before Installation:

- Have 2 × 4 blocking installed over bottom plate between studs along to support wedi Building Panel to shower base transition area.
- Subfloor is stable, even and loadbearing, and meets deflection criteria of maximum L/360 as per IRC. Wooden or concrete structural substrates are dry and sufficiently loadbearing considering live and dead load. Wood and Steel framing is sufficiently loadbearing, plum and square.
- Floor drain assembly below floor is stabilized, fixed and supported in position, and will not sink under water load.
- Only wedi products (Building Panels, Curb, Joint Sealant and Fasteners) are used for wedi Fundo Shower System assembly.
- Installer has received instructions from wedi Technical Sales Staff or is informed about proper installation methods as described.
- wedi Shower Bases can be cut to size using a skilsaw. The Z notch channel must be remade and cleaned from sawdust or other possible contamination.
- Follow applicable state or local plumbing codes requiring specific and dimensioned waterproofed areas for a shower system or other wet room installation. Requirements in this manual supersede local plumbing codes; they extend and are not in conflict. wedi Shower Systems or other wet room installations in which non-wedi product is also used require specific project recommendations by wedi and may reduce the extent and installation area of protection offered by wedi's warranty.



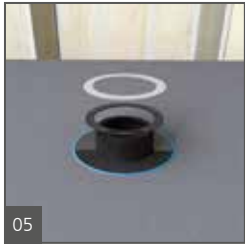
Cut the 2" (50.8 mm) pipe flush (or max. 1/8" [3.2 mm] above) to the floor construction. Make sure that the cut out fits to the Fundo panel drain. Cut out a 5" (127 mm) diameter hole around the 2" (50.8 mm) pipe to allow for the wedi drain to be inserted into the subfloor while the cut out area must remain free of deflection. The drain and trap have to be sturdily fastened to the sub floor. Assemble the drain unit following the instruction drawing.



Set up a continuous 1/4" (6.4 mm) bead of wedi sealant along the top side of the wedi Fundos' valve groove profile. Optionally you can apply the bead on the underside of the main drain body's flange. This will help keeping sealant off the threads of the main drain body when it is inserted.



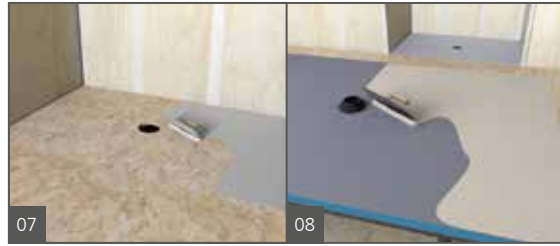
Drop the drain body firmly into the sealant.



Turn the Fundo base upside down and apply the rubber and the fiber gasket.



Tighten the gaskets firmly to the bases' steel ring using the locking nut. Make sure the drain body is still safely received in the valve-bead of sealant. Smooth out excess sealant over the drain body's flange surface.



Skim coat the thinset ANSI 118.4 and comb through with a 1/4" x 1/4" (6.4 x 6.4 mm) notched trowel. Channels pointing to the entrance. Trowel the thinset on the rear side of the Fundo again using a 1/4" x 1/4" (6.4 x 6.4 mm) notched trowel. There are different ways to ensure good bond of the wedi Base to the subfloor. Required is a setting bed thickness of min. 3/16" (4.8 mm) and max. of 5/16" (7.9 mm) (compressed). Applying thinset on both, wedi Base and subfloor, is a best practice recommended to achieve full surface coverage adhesion. Another best practice is to use fast setting mortar to achieve faster bond and adhesion.



Press the Fundo firmly into the thinset bed, ensuring that the installation is level and void free. Apply some weight equally and leave on surface and drain area to allow the thinset to initially cure without being disturbed (e.g. thinset bags).

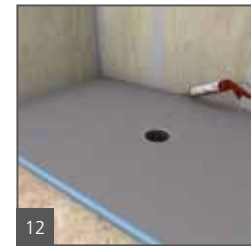


Set up the rubber caulking gasket (with the beveled side up) around the 2" (50.8 mm) pipe in the subfloor. The rubber gasket must be flush with the upper end of the 2" (50.8 mm) ABS or PVC pipe.

Do Not use any Lubricants.



Tighten (squeeze) the rubber caulking gasket firmly with the caulking nut (use a flat headed screwdriver) and finally insert the plastic frame and strainer on top (without adhesive). The frame and strainer will be held in a grout joint only once tiling commences. Do not tighten the gasket prior to 60 minutes after the threaded drain part was sealed into the shower base.



Set up a continuous 1/2" (12.7 mm) bead of wedi Joint Sealant along the pans channel on the outer perimeter and only in areas where you can immediately install a building panel into the fresh sealant.



Push the wedi Panel all the way into the channel of the shower base channel and its bead of sealant. Smooth out any pushed out sealant on inside seam using a putty knife. Fasten the panels directly to the studs starting 1 ft. (304.8 mm) above the base and in corners while keeping the board pushed down into the channel, and set the fasteners at a rate of 1 fastener per 1 ft. (304.8 mm). One extra fastener is set into the seam to the next panel to create a flush transition. wedi requires wedi Building Panels to be installed in all areas exposed to water and in any case no lower than 6" (152.4 mm) above all water inlet fixtures.



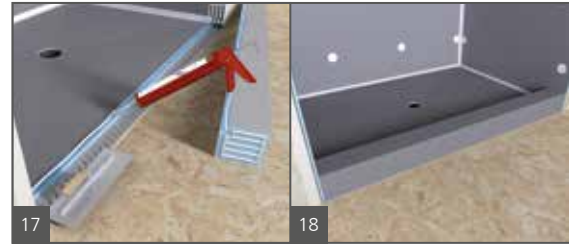
Apply continuous 1/2" (12.7 mm) beads of sealant between all connections of panels and install with tightly butted seams. Excess sealant must be spread flat with a putty knife. All seams and fastener heads in the assembly are covered with a secondary 1/2" (12.7 mm) bead of sealant and spread flat. The seams should be covered 1" (25.4 mm) on either side of seam. All fastener/washers are covered with sealant stretching 1" (25.4 mm) over the washer edges.



wedi Niches are installed in a cut out in the wedi wall and attached with it's flange right into the center of 16" (406.4 mm) o.c. studs. wedi Joint Sealant is set along the connection of wall to niche.

2 Fasteners each side of the niche are set to create a flush transition to the wall panels. Another 1/2" (12.7 mm) bead of wedi Joint Sealant is spread over fasteners and seams.

i For the installation to properly work it is critical to waterproof all penetrations of the wedi product such as shower valves and shower heads using the appropriate sealing gaskets for the application. The wedi Mixing Valve Flexi Collar and wedi Flexi Collar (for 1/2" – 3/4" [12.7 – 19 mm] shower pipe protrusions) are used for these applications and are part of the wedi System complete warranty.



A continuous 1/2" (12.7 mm) bead of sealant is set into the channel and along the vertical curb notch part. A circle of 1/2" (12.7 mm) sealant bead is set against the wall panels (and) or the curb sides where the curb attaches. A 1/2" x 1/2" (12.7 x 12.7 mm) bed of thinset mortar is applied to the subfloor and a skim coat on the bottom surface of the curb as a best practice. The tightly fitting curb is pressed into the connection area. Weight is applied for a minimum of 30 minutes on and against the curb (from outside) and another 1/2" (12.7 mm) bead of sealant is applied over all curb seams and spread flat. The seams must be covered 1" (25.4 mm) either side of a seam.

! Curb connection notches must be cut to fit select Primo bases with perimeter thickness higher than 1 1/2" (38.1 mm).

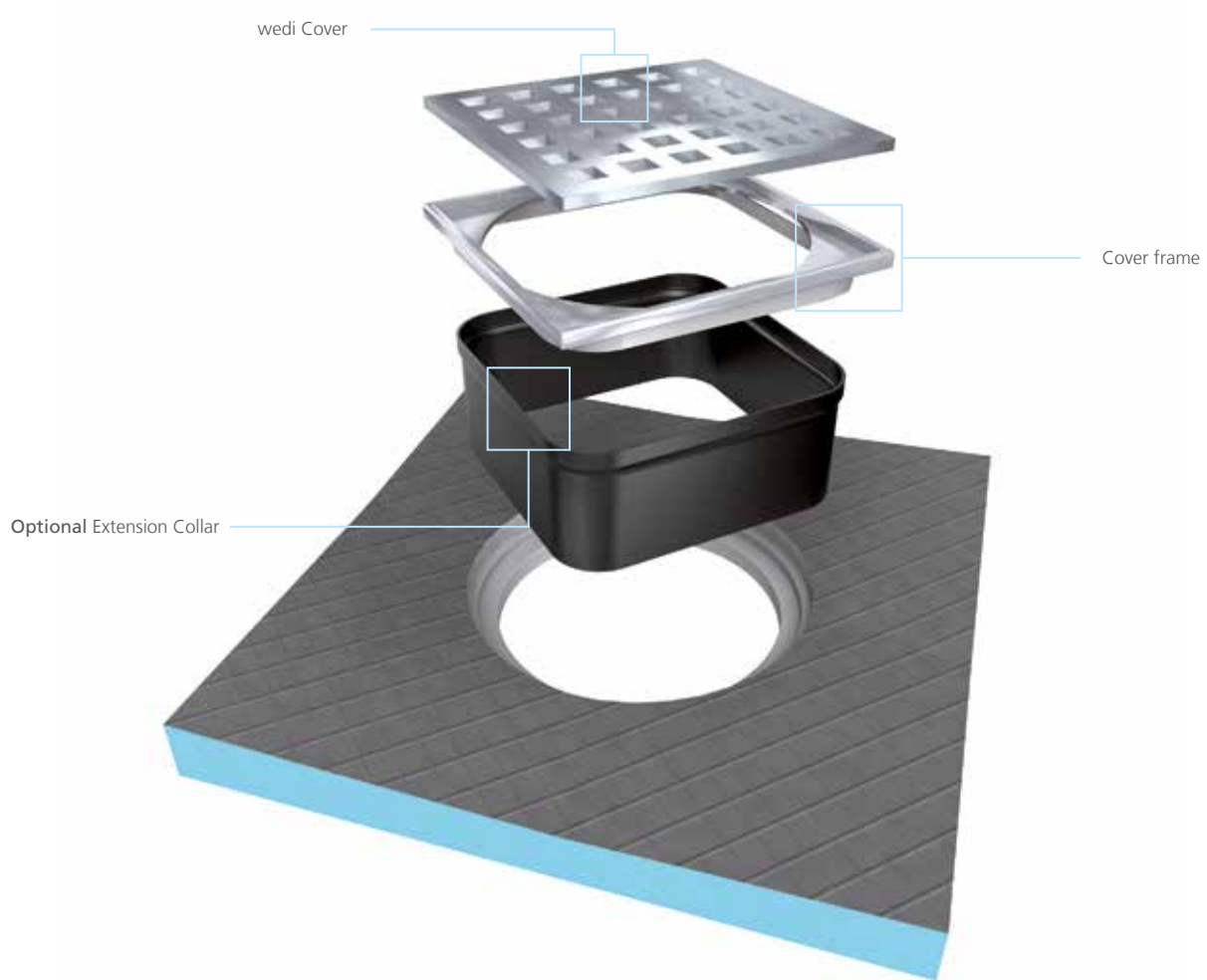
After Installation

All visible joints or seams in the installation are visibly covered and reinforced with wedi Joint Sealant applied flat over the seams. Coverage of wedi Joint Sealant over all seams should be at least 1 inch (25.4 mm) on either side of the seam. The wedi Joint Sealant should be no less than 1/16 inch (1.6 mm) thick for strength. Do not add mesh tape into the wedi Joint Sealant. This may only put the waterproofing performance at risk and will not strengthen the sealant's or system's resistance against movement related stresses. Once wedi Joint Sealant application over all shower system seams has been completed, an optional water flood test may be performed as early as 2 hours later. The test should not exceed 24 hours and nor should the water level exceed the height of the perimeter seams so that the fresh sealant may continue to a full cure without too much weight added during that process. wedi recommends to test at least the drain connection for its proper seal while a full surface flood test is not technically required for non-absorbing products like wedi but may be required by a building inspection department. When tiling commences, no premixed and organic ("mastic") tile adhesives must be used over wedi Systems in any wet area installation. When tiling the wedi Shower Bases incl. extensions or ramps, tile thickness should generally not be less than 1/8" (3.2 mm). Choose setting materials appropriate for the type of stone, ceramic or glass tile as well as for a wet area installation. Tile with a square size of 2 x 2" (50.8 x 50.8 mm) or more may be installed using a polymer modified cement based tile adhesive and grout. Tile with a square size of less than 2 x 2" (50.8 x 50.8 mm) may be installed using a polymer modified cement based tile adhesive and require 100% solids epoxy grout. Tile with a square size of 1 x 1" (25.4 x 25.4 mm) or less must be installed using a 100 % solids epoxy tile adhesive and grout. Only non-flat bottom pebble stone installations including in part small mosaics may be installed using polymer modified cement based tile adhesive and grout, all flat bottom pebble stone installation are subject to the general tile size based setting materials recommendation outlined above. When installing non-square tile, the length of the shortest tile edge(s) is considered as its square size for the purpose of determining the choice of the setting materials as outlined above.

All tile installations designed to receive heavier point loads such as from wheelchair use, must be grouted using 100% solids epoxy grout. Large format tile may be installed over wedi Fundo shower bases. Cuts may have to be made in consideration of the base's slope lines and so that such tile can always be fully supported by the tile adhesive setting bed and the surface of the wedi Base. Tile adhesive coverage under the tile must be 95% and special care must be taken to achieve good transfer of adhesive to wedi's shower base when working with mesh backed tile. Please use only solvent and acid free cleaners and sealers on tile and grout installed over wedi product and apply such products only in amounts as needed to treat the surface materials without drenching the substrate. Follow setting materials manufacturer's recommendations and contact wedi with any questions or regarding applications not covered here.

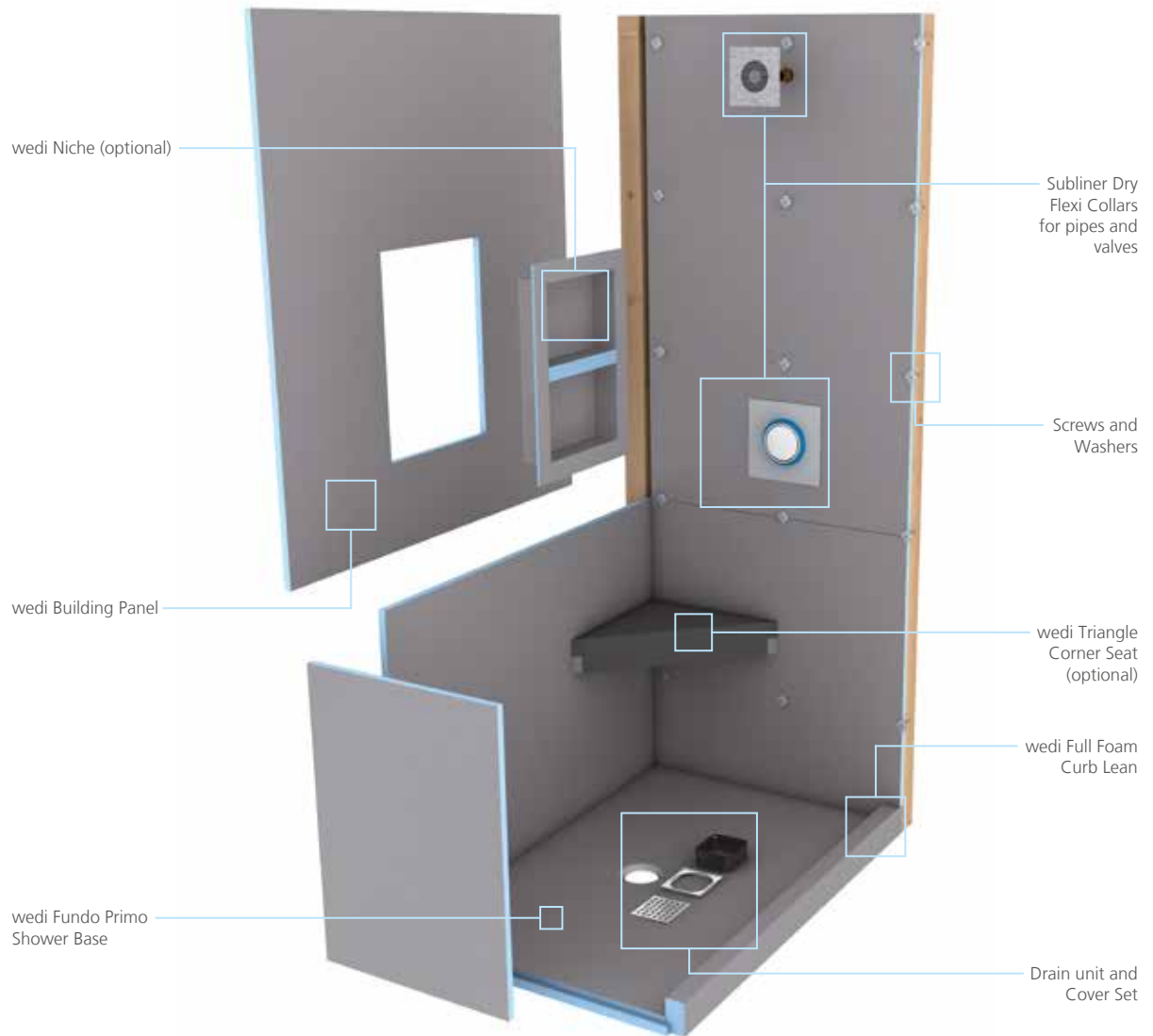
wedi Drain Cover Assembly / Insertion

Insert Cover frame into base hole (no glue/no screws). You may caulk between part and tile to create a flexible grout joint. Optional Extension Collar can be cut to height if part is needed. The caulk joint must not create a water barrier damming up the water draining through the thinset bed into the drain from below the tile. Therefore the thinset layer must be continuous toward the drain. Use the black plastic extension collar if you need to raise the wedi frame and cover. Cut extension collar to size and insert below the frame/cover. If not needed, the extension collar may be disposed of as it is not necessary for the functioning of the wedi installation.



wedi Fundo Primo Shower Kit – Full Shower System in a Box

All products needed to build a wedi shower are included and provide a single manufacturer warranty. Safe transportation in one box, easy estimating of product quantities needed.







wedi Fundo Ligno

Homeowners and builders increasingly favor shower spaces which can function without a curb or would not require any build up over existing floor areas resulting in a step up into the shower. One important reason for this trend is: easier and safer access to the shower for older and/ or physically disabled persons. While this trend offers great design and business opportunities it also presents technical challenges which cannot be overcome by many conventional shower installation methods or products. Main challenges are safe recessing of a sloped shower base into an existing structural floor for a flush transition and the extension of waterproofing from shower area into surrounding floor areas no longer protected by a curb keeping water inside the shower area. To address all challenges for tile professionals, wedi engineered Fundo Ligno, a sloped shower base $\frac{3}{4}$ " thin at its perimeter and available in various sizes. Ligno can be field modified. The installation within a $\frac{3}{4}$ " plywood structure requires no cutting into joists. Load-bearing plywood is simply re-installed between floor joists and over wedi's recess kit bracket system. This guarantees a full support and protection of the tiled surface. The wedi typical strong cement based, reinforced surface is pre-sloped, directly tileable with large or small format tile. Ligno interlocks with wedi Building Panel used as waterproof backer board on walls as well as on the surrounding floor. Optionally, wedi's Subliner Dry Sheet Waterproofing membrane can be used. Both options offer a complete and professional system installation.

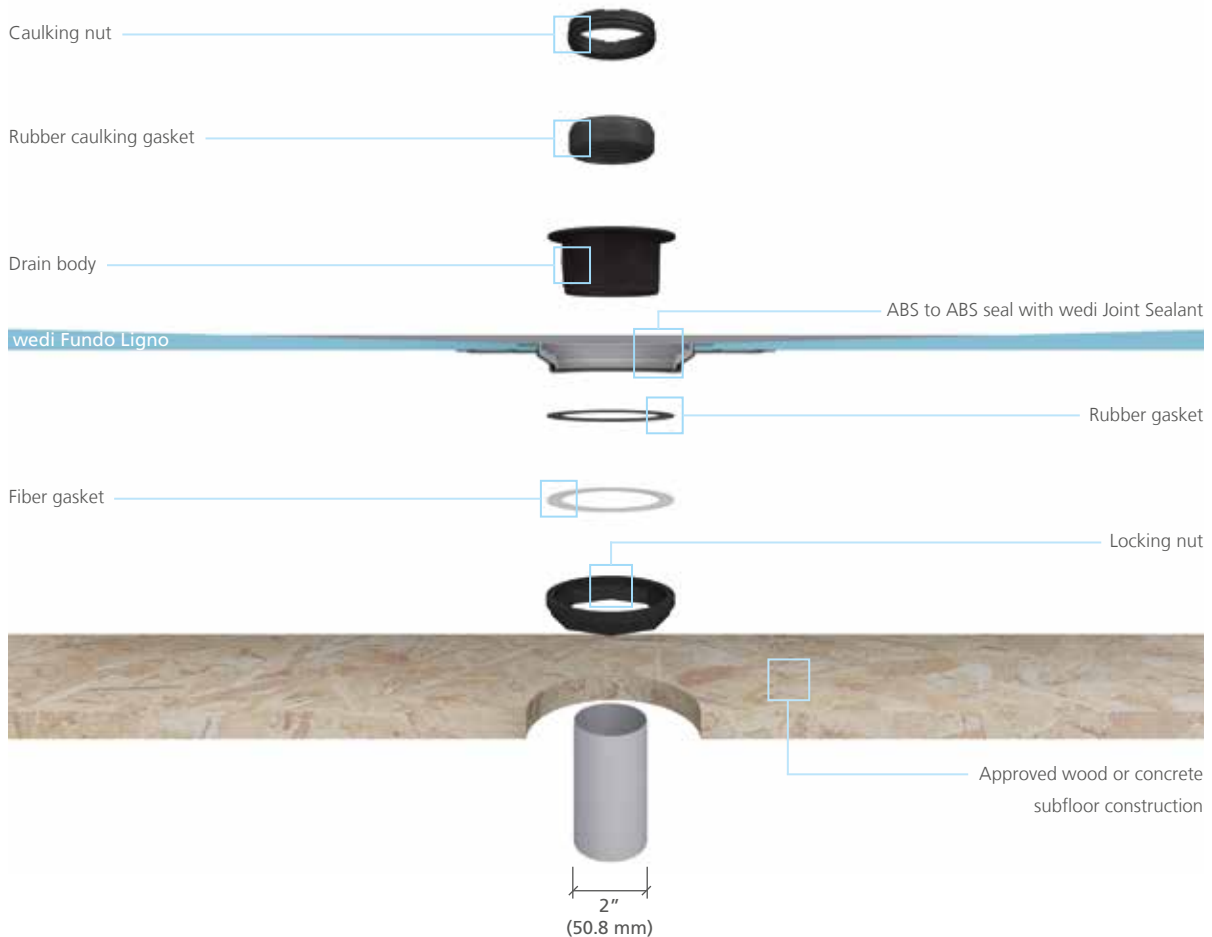
Product Information

wedi Fundo Ligno is designed to provide for a low profile base thickness of only 3/4" (19 mm). This allows for a fast and flush installation into a subfloor assembly without cutting into floor joists. The system is designed to work without a curb. Enjoy the ease of installation without creating a structural hazard because you maintain the structural subfloor panels installed between floor joists under the wedi Fundo Ligno. Because barrier free showers may be exposed to heavy point loads (e.g. wheel chair), you can confidently rely on the structural strength of the wedi Base and subfloor as well as the wedi Fundo's traditional strong cement based surface for ideal tile bond using any suitable cement based tile adhesives or grouts. As applied to all wedi Fundo Shower Systems, wedi Fundo Ligno is designed to interlock and work with wedi Building Panels, wedi Joint Sealant, wedi Fasteners, wedi Seats and Benches, wedi Niches and many more accessories, that truly complete your shower installation and waterproofing system. The installation is fast, modular but customizable, and covered by wedi's full system warranty.

Note for Installation

Optionally a glue drain can be obtained from wedi. For a cement glue connection, the floor pipe must be cut 2 7/8" (73.2 mm) below the surface of the subfloor. Optionally a brass drain can be obtained from wedi. The installation proceeds as shown for the standard drain provided with each Fundo base.

Drain to Base Assembly

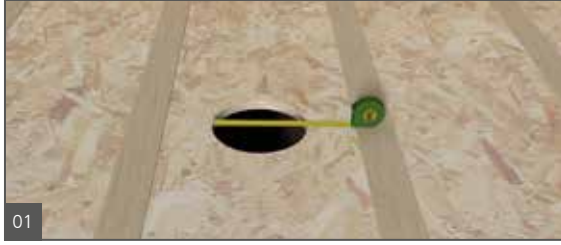




wedi Fundo Ligno Installation

Before Installation:

- Have extra 2 × 4 blocking installed over bottom plate between studs along to support wedi Building Panel to shower base transition area.
- After recessing or when system is installed over regular subfloor, subfloor is stable, even and loadbearing, and meets deflection criteria of maximum L/360 and requirements as per IRC. Wooden or concrete structural substrates are dry and sufficiently loadbearing considering live and dead load. Wood and Steel framing is sufficiently loadbearing, plum and square.
- Floor drain assembly below floor is stabilized, fixed and supported in position, and will not sink under water load.
- Only wedi products (Building Panels, Curb, Joint Sealant and Fasteners) are used for wedi Fundo Shower System assembly.
- Installer has received instructions from wedi Technical Sales Staff or is informed about proper installation methods as described.
- wedi Shower Bases can be cut to size using a skilsaw. The Z notch channel must be remade and cleaned from sawdust or other possible contamination.
- Follow applicable state or local plumbing codes requiring specific and dimensioned waterproofed areas for a shower system or other wet room installation. Requirements in this manual supersede local plumbing codes; they extend and are not in conflict. wedi Shower Systems or other wet room installations in which non-wedi product is also used require specific project recommendations by wedi and may reduce the extent and installation area of protection offered by wedi's warranty.



01

Cut 3/4" (19 mm) wood floor base out fitting the space of wedi Fundo Ligno. Safely install 2 x 6" (50.8 x 152.4 mm) blocking along floor joists and in between floor joists where the perimeter of the Ligno base will be located, install 2 x 6" (50.8 x 152.4 mm) blocking 3/4" (19 mm) below the top of the floor joists. You may also use wedi's Fundo Ligno Recess Installation Kit, which utilizes metal brackets designed to help you recess the wood floor without framing work and can replace the need of 2 x 6" (50.8 x 152.4 mm) sistering of joists and they may be fastened to the structure to suspend the wood floor subfloor. Adjust for thinset thickness under wedi Fundo Ligno base and/or the flooring underlayment installation adjacent to shower area to create a flush transition for waterproofing and tile between floor and shower area. Re-install 3/4" (19 mm) wood floor over blocking or profile system to have the wood floor flush with the floor joists and fill with furring strips on top of floor joists in case the blocking/joist that carry the wood floor under wedi Base is installed higher than 3/4" (19 mm) deep from top of floor joists. Make sure the entire perimeter of the wedi Fundo Ligno base is supported by floor joists or adequate blocking. Make sure the wood floor base shows no seams where close to the cut out for the wedi Fundo Ligno drain. The cutout around the center of the 2" (50.8 mm) floor pipe must be 6 1/2" (165.1 mm) (max 7" [177.8 mm]) in diameter to allow drain recess and must not create any subfloor deflection. The pipe is cut square and even at 5/8" (15.9 mm) below the recessed subfloor top surface.



02

Assemble the drain unit following the instruction drawing.



03

Set up a continuous 1/4" (6.4 mm) bead of wedi Joint Sealant along the top side of the wedi Fundo's valve groove profile. Optionally you can apply the bead on the underside of the main drain body's flange. This will help keeping sealant off the threads of the main drain body when it is inserted.



04

Drop the drain body firmly into the sealant.



05

Turn the Fundo base upside down and apply the rubber and the fiber gasket.



06

Tighten the gaskets firmly to the bases' steel ring using the locking nut. Make sure the drain body is still safely received in the valve-bead of sealant. Smooth out excess sealant over the drain body's flange surface.



07

Skim coat the thinset ANSI 118.4 and comb through with a 1/4" x 1/4" (6.4 x 6.4 mm) notched trowel channels pointing to the entrance.



Trowel the thinset on the rear side of the Fundo again using a 1/4" x 1/4" (6.4 x 6.4 mm) notched trowel. There are different ways to ensure good bond of the wedi Base to the subfloor. Required is a setting bed thickness of min. 3/16" (4.8 mm) and max. of 5/16" (7.9 mm) (compressed). Applying thinset on both, wedi Base and subfloor, is a best practice recommended to achieve full surface coverage adhesion. Another best practice is to use fast setting mortar to achieve faster bond and adhesion. Press the wedi Fundo firmly into the thinset bed, ensuring that the installation is level and void free. Apply some weight equally and leave on surface and drain area to allow the thinset to initially cure without being disturbed (e.g. thinset bags).



Set up the rubber caulking gasket (with the bevelled side up) around the 2" (50.8 mm) pipe in the subfloor. The rubber gasket must be flush with the upper end of the 2" (50.8 mm) ABS or PVC pipe.

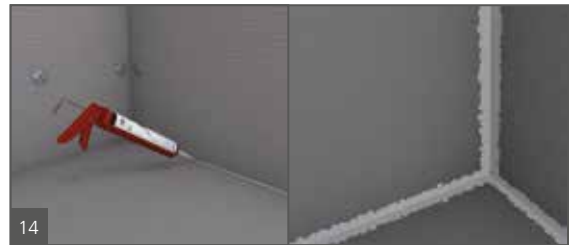
Do Not use any Lubricants.



60 minutes after initial installation of the drain with wedi Joint Sealant tighten (squeeze) the rubber caulking gasket firmly with the caulking gun (use a flat headed screwdriver) and finally insert the plastic frame and strainer on top (without adhesive). The frame and strainer will be held in a grout joint only once tiling commences. Do not tighten the gasket prior to 60 minutes after the threaded drain part was sealed into the shower base.



Set up a continuous 1/2" (12.7 mm) bead of wedi Joint Sealant along the pans channel on the outer perimeter and only in areas where you can immediately install a building panel into the fresh sealant. Push the wedi Panel all the way into the channel of the shower base channel and its bead of sealant. Smooth out any pushed out sealant on inside seam using a putty knife. Fasten the panels directly to the studs starting 1 ft. (304.8 mm) above the base and in corners while keeping the board pushed down into the channel, and set the fasteners at a rate of 1 fastener per 1 ft. (304.8 mm). One extra fastener is set into the seam to the next panel to create a flush transition. wedi requires wedi Building Panels to be installed in all areas exposed to water and in any case no lower than 6" (152.4 mm) above all water inlet fixtures.



Apply continuous 1/2" (12.7 mm) beads of sealant between all connections of panels and install with tightly butted seams. Excess sealant must be spread flat with a putty knife. All seams and fastener heads in the assembly are covered with a secondary 1/2" (12.7 mm) bead of sealant and spread flat. The seams should be covered 1" (25.4 mm) on either side of seam. All fastener/washers are covered with sealant stretching 1" (25.4 mm) over the washer edges.

i For the installation to properly work it is critical to waterproof all penetrations of the wedi product such as shower valves and shower heads using the appropriate sealing gaskets for the application. The wedi Mixing Valve Flexi Collar and wedi Flexi Collar (for 1/2" – 3/4" [12.7–19 mm] shower pipe protrusions) are used for these applications and are part of the wedi System complete warranty.



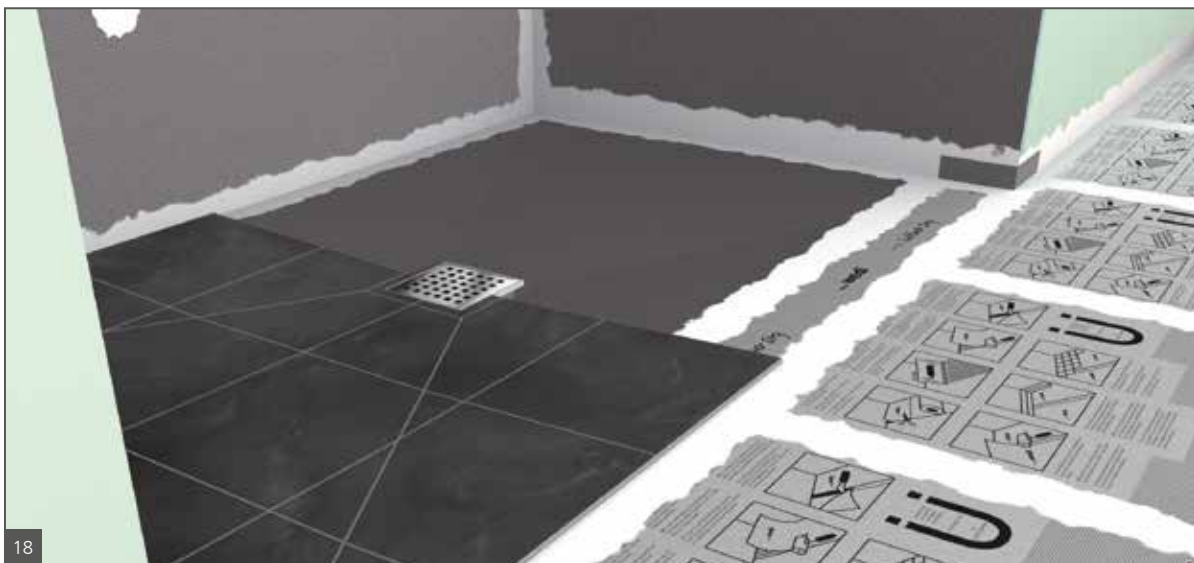
wedi Niches are installed in a cut out in the wedi wall and attached with its flange right into the center of 16" (406.4 mm) o.c. studs. wedi Joint Sealant is set along the connection of wall to niche.



2 Fasteners each side of the niche are set to create a flush transition to the wall panels. Another 1/2" (12.7 mm) bead of wedi Joint Sealant is spread over fasteners and seams.



Fill unused Ligno perimeter channels by sealing in wedi Panel strips (included in box). Prepare to install wedi Subliner Dry waterproofing membrane over the subfloor outside the shower and reaching 4" (101.6 mm) into the Ligno and going up at walls at least 2" (50.8 mm) (flashing) by applying modified thinset using a 1/4 x 1/4" (6.4 x 6.4 mm) notch trowel. The area to be so waterproofed starts 4" (101.6 mm) into the Ligno and extends at minimum 3 ft. (914.4 mm) outside of the shower or as far as shower/spray water may reach. We recommend to waterproof the entire bathroom floor as water may spread below tile level and on top of waterproofing.



Apply a modified thinset (ANSI 118.4 or equivalent) across the wood or cement board floor surface and now apply wedi Subliner Dry Sheet waterproofing membrane overlapping into the Ligno base for 4" (101.6 mm). Apply wedi's prefabricated outside or inside sealing tape corners and sealing tape or Subliner Dry folds as a flashing to the wedi wall panels/Ligno and Subliner dry sheets as applicable. Install this waterproofing system over the floor substrate outside the shower. All areas subject to water splashes and spray must be waterproofed. wedi recommends to waterproof the entire bathroom floor (including a flashing up into the wall at least to the height of a regular base board or 2" [50.8 mm] high) in spaces where curbless showers are being installed.

Subliner Dry sheet waterproofing membranes are installed to the applicable surfaces using thinset mortar. All overlapping seams between Subliner Dry to wedi Fundo or Building Panel, and between Subliner Dry sheets are sealed with a full bed of wedi Sealant 620 for a width of 2" (50.8 mm). All Subliner Dry tape and prefabricated corner tapes are fully embedded and installed

using wedi Sealant 620. The wedi Sealant 620 can be installed once the thinset mortar below the membrane has cured (see also installation manual wedi Subliner Dry). Your shower is ready for tile once wedi Sealant 620 is dry to the touch. Alternatively to Subliner Dry sheet membrane system wedi Building Panels in 1/4" (6.4 mm) or 1/2" (12.7 mm) and 3/4" (19 mm) thickness (3/4" [19 mm] panel if no recess of base and base connected to wedi Panel with a Z notch connection in the panel connecting to Ligno base's channel) can be used as the floor tile underlayment in lieu of cement board and Subliner waterproofing. wedi Building Panel would be installed over wood floor subfloor and overlap and seal into the Ligno channel. In such application the Ligno base must be raised to allow its channel to fully stick out from the recessed area so wedi Floor Building Panels can be interlocked with its channel. All seams to wedi walls or Ligno base are sealed internally with wedi Joint Sealant, and are covered with an external 1/2" (12.7 mm) bead of wedi Joint Sealant spread flat. Your shower is ready for tiling once thinset under wedi Subliner Dry or wedi Building Panels on floor has cured.

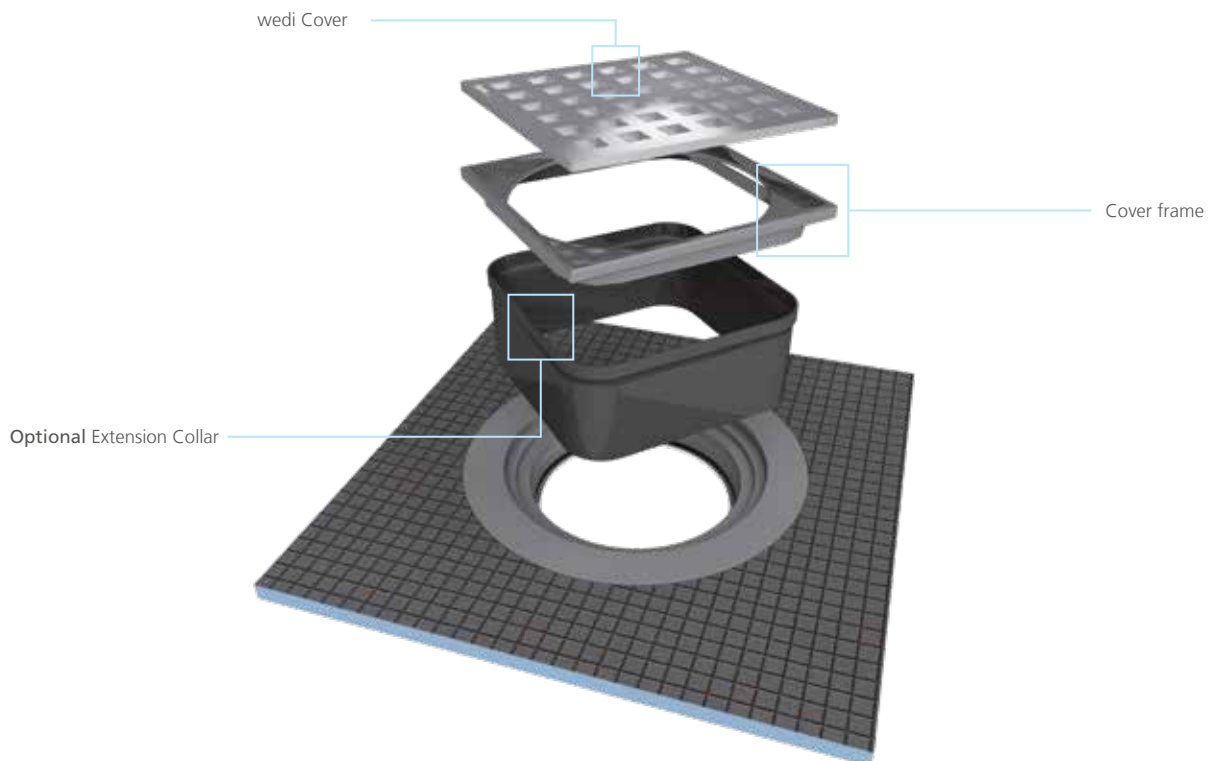
After Installation

All visible joints or seams in the installation are visibly covered and reinforced with wedi Joint Sealant applied flat over the seams. Coverage of wedi Joint Sealant over all seams should be at least 1 inch (25.4 mm) on either side of the seam. The wedi Joint Sealant should be no less than 1/16 inch (1.6 mm) thick for strength. Do not add mesh tape into the wedi Joint Sealant. This may only put the waterproofing performance at risk and will not strengthen the sealant's or system's resistance against movement related stresses. Once wedi Joint Sealant application over all shower system seams has been completed, an optional water flood test may be performed as early as 2 hours later. The test should not exceed 24 hours and nor should the water level exceed the height of the perimeter seams, including a temporary dam which should be installed at the entry and 1/2" (12.7 mm) high, so that the fresh sealant may continue to a full cure without too much weight added during that process. wedi recommends to test at least the drain connection for its proper seal while a full surface flood test is not technically required for non-absorbing products like wedi but may be required by a building inspection department.

When tiling commences, no premixed and organic ("mastic") tile adhesives must be used over wedi Systems in any wet area installation. When tiling the wedi Shower Bases incl. extensions or ramps, tile thickness should generally not be less than 1/8" (3.2 mm). Choose setting materials appropriate for the type of stone, ceramic or glass tile as well as for a wet area installation. Tile with a square size of 2 x 2" (50.8 x 50.8 mm) or more may be installed using a polymer modified cement based tile adhesive and grout. Tile with a square size of less than 2 x 2" (50.8 x 50.8 mm) as well as non-flat pebble stones with tile edges less than 2" (50.8 mm) may not be installed over Ligno. All tile installations designed to receive heavier point loads such as from wheelchair use, must be grouted using 100% solids epoxy grout. Large format tile may be installed over wedi Fundo shower bases. Cuts may have to be made in consideration of the base's slope lines and so that such tile can always be fully supported by the tile adhesive setting bed and the surface of the wedi Base. Tile adhesive coverage under the tile must be 95% and special care must be taken to achieve good transfer of adhesive to wedi's shower base when working with mesh backed tile. Please use only solvent and acid free cleaners and sealers on tile and grout installed over wedi product and apply such products only in amounts as needed to treat the surface materials without drenching the substrate. Follow setting materials manufacturers recommendations and contact wedi with any questions or regarding applications not covered here.

wedi Drain Cover Assembly / Insertion

Insert Cover frame into base hole (no glue/no screws). You may caulk between part and tile to create a flexible grout joint. Optional Extension Collar can be cut to height if part is needed. The caulk joint must not create a water barrier damming up the water draining through the thinset bed into the drain from below the tile. Therefore the thinset layer must be continuous toward the drain. Use the black plastic extension collar if you need to raise the wedi frame and cover. Cut extension collar to size and insert below the frame/cover. If not needed, the extension collar may be disposed of as it is not necessary for the functioning of the wedi installation.







wedi Fundo Ligno Recess Kit

The Fundo Ligno Recess Installation Kit is designed to help you recess a wood floor between existing floor joists (2x10 joists, engineered or I joist construction) without the need of sistering these joists with more 2x6 or other wood framing material. It will add safety in terms of structural stability of the recess, but will also allow for a safe installation process, and save much time compared to working with framing material only.

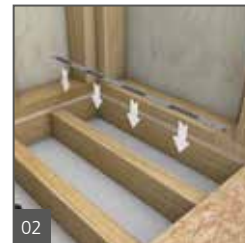
The wedi recess bracket support system will allow a 3/4" wood floor to be solidly situated between and flush with joists. The bracket system connects, carries and supports the recessed wood not only along floor joists but also along surrounding subfloor (not recessed) as well as sides of the shower where the wood meets the framing bottom plates.

Please ensure the general subfloor construction, prior to installing the wedi system meets current IRC requirements for structural construction and dead and live load minimums, as well as a deflection potential of less than L/360. Once the wedi Bracket System is installed, and the recessed floor is in place, all requirements will still be met or exceeded. The system comes in one box equipped with two different profile types and all the hardware needed. One Kit covers recess spaces for a Fundo Ligno up to 5 x 5 ft. in size. Do not use this system for any other recessed shower installations except wedi Fundo Ligno system.



01 Measure and mark subfloor to be removed. Use a safe saw to cut close to the framing but also in a safe and clean way. wedi recommends a combination of saws including a sawzall and a saw like Dremel (r) US40 01 120 V where a standard circular saw might not reach.

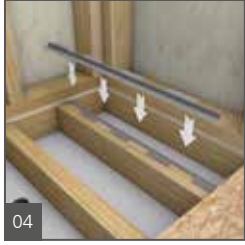
Make sure your 2" (50,8 mm) floor waste pipe is installed and positioned to fit the Ligno shower base drain. The pipe must be cut 5/8 inch (15,9 mm) below the surface of the recessed floor to be installed between the joists. A 6 1/2" (165,1 mm) cut out must be made into that floor strip with the drain pipe in its center. It is important to position the drain and cut out to not interfere with a floor joist.



02 Cut the joist brackets to the length of the exposed floor joists. Depending on length and direction of floor joists you may need to add a shorter joist bracket. Please do not use joist brackets shorter than 12" (304,8 mm) or equipped with less than two (at least partial) mounting flanges.



03 Install the joist brackets to the floor joist using the flat head Phillips wood screws provided by wedi. Set one (1) screw per each mounting flange in the center screw hole (unless bracket is cut which is when at minimum two mounting flanges must be fastened using available screw holes). Brackets should be aligned with top and side of floor joists but allowing for up to 1/8" and minimum of 1/16" of space between the floor joist's vertical side and the metal bracket. This helps mitigating wood movement and irregularities in the floor joist itself without creating too much tension.



Fasten the next bracket on the other side of the floor joist. Stagger the tabs, so you may need to cut the brackets.



Repeat process shown under 4. and install joist brackets to all exposed joists.



Place C brackets at the wall sides. The C brackets are installed at both ends of the recess area first and then along the wall / side every 12" (center of C bracket to center of C bracket).



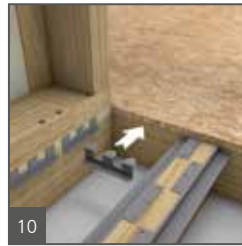
The C brackets are inserted with their claws between floor surface and underside of the base plate. Use a wood block or a hard rubber mallet to push C brackets into position.



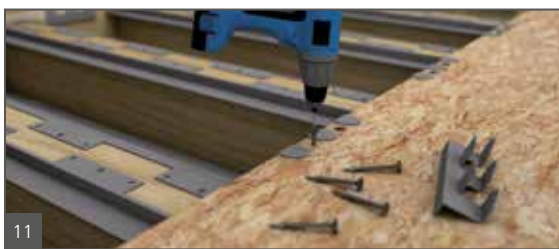
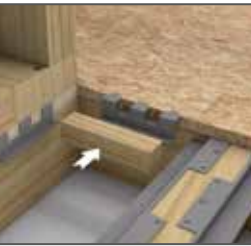
Make sure the C Brackets are mounted in a level position (assuming a level base plate) and use flathead Phillips self-drilling screws with wings provided by wedi. Fasten through the base plate and into the two (2) metal claws resting between base plate and wood floor top.



Install one (1) C bracket against the wall and centered between each pair of floor joists (if joist spacing 16" o.c.). If the Joist spacing is greater than 16" o.c. please install two (2) C brackets centered between each pair of floor joists.



Dry fit C brackets to the edge of the wood floor to ensure C Brackets can be installed for full support along the edge of the floor plate. Use a wood block or hard rubber mallet to push the brackets in position.



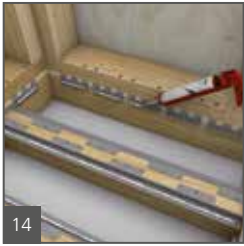
Use flat head Phillips self-drilling screws with wings provided by wedi to fasten C brackets to the edge of the wood floor plate at the open side of the future shower area. Fit brackets between flanges of joist/wall brackets. Use two (screws) to fasten this bracket through the wood floor and into the lower claws. When working with floor joists with a spacing greater than 16", use 1 full C bracket and another one cut to length for full support along the edge of the floor.



Measure and mark to cut wood strips tightly fitting into the recess bracket support system between joists, wall framing and regular subfloor. Leave a 1/8" (3,2 mm) gap between wood strips and brackets so the wood may move without creating too much tension.



Cut the wood floor strips incl. the strip for the drain area featuring a 6 1/2" (165,1 mm) diameter hole to be seated over the center of the floor waste pipe.



14

Clean and degrease the bracket support flanges/surfaces and apply a 1/4" (6.35 mm) bead of wedi Joint Sealant. Use wedi Joint Sealant or a construction adhesive suitable for metal and wood application.



15

Place all wood strips into position on brackets.



16

Secure wood strips to C and Joist brackets using flat head Phillips self-drilling screws with wings as provided by wedi. Fasten at minimum every 10 (ten) inches where joist brackets are present, or where C brackets are in line along the framed wall and parallel to the floor joists. Fasten wood into all other C brackets with a minimum of two (2) screws where singular C Brackets are mounted between floor joists on wall framing or wood floor transition side.



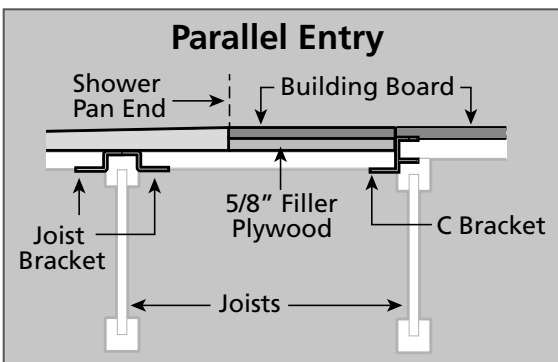
17

Install wedi Fundo Ligno in a bed of tile adhesive as per Ligno installation manual.



18

Your Ligno shower is now flush with the surrounding subfloor and is supported by a subfloor with absolute structural integrity, so important for safe tile installation and without the risk of cracks in tile or grout so typical to tile substrate installations or shower systems installed with insufficient support.



i When joists are parallel to the shower entry, the transition to recessed floor needs to be placed on the front (the edge of a joist adjacent to the recessed part) edge of floor joist regardless of placement. Sometimes the recess needs to be extended past the intended shower pan. The space will be treated the same as any recessed one but filled back in with 5/8" (15,9 mm) thick plywood up to the intended shower pan. This Product is for use with wedi Fundo Ligno Shower System only. The Product is tested and warranted exclusively for this use. Please do not use this product to recess a subfloor and install any other shower or building structure in such recess supported by this product. wedi Ligno Recess Installation Kit has undergone thorough testing and passed Robinson Test C627 for floor assemblies.





wedi OneStep Shower System

- Fundo base with integrated wall and curb
- Passes ANSI Z124.1.2 / National Approval ICC PMG Report 1189
- 6 different sizes with custom options
- Use with wedi Building Panels or other types of backer board (most will require added waterproofing)
- Solid, pre-sloped, directly tileable surface
- Can be used with small & large format tile; set with modified thinset
- Square, high quality stainless steel drain cover/frame
- No seam & no leak potential due to installation mistakes
- Easy drain hook up to floor pipes cut flush with subfloor
- Subfloor attachment with only thinset adhesive
- wedi OneStep requires no thick mortar bed underneath unlike common competitive preformed units which require added support
- No more epoxy thinset tiling as with other common preformed units



i For more detailed installation steps and information please visit www.wedicorp.com



wedi OneStep Installation

Before Installation:

- Subfloor is stable, even and load-bearing, and meets deflection criteria of maximum $L/360$ and requirements as per IRC. Wooden or concrete structural substrates are dry and sufficiently load-bearing considering live and dead load. Wood and Steel framing is sufficiently load-bearing, plum and square.
- Floor drain assembly below floor is stabilized, fixed and supported in position, and will not sink under water load.
- Installer has received instructions from wedi Technical Sales Staff or is informed about proper installation methods as described.



Cut the 2" (50.8 mm) pipe flush to the surface of the floor construction. Make sure that the cut out fits to the OneStep base drain. Cut out a 5" (127 mm) diameter hole around the 2" (50.8 mm) pipe to allow the wedi drain to be inserted into the subfloor. The drain and trap have to be safely fastened to the subfloor.



Set up a continuous 1/4" (6.4 mm) bead of wedi sealant along the top side of the wedi OneStep valve groove profile. Drop the drain body firmly into the sealant. Turn the OneStep base upside down and apply the rubber and the fiber gasket. Tighten the gaskets firmly to the base's steel ring.



Dry fit the base and make sure that floor drain is located in the center of the wedi drain. Make sure the base walls are square and tight with the framework.

Skim coat the thinset ANSI 118.4 and comb through with a 1/4 x 1/4" (6.4 x 6.4 mm) notched trowel. Channels pointing to the entrance. Trowel the thinset on the rear side of the OneStep again using a 1/4 x 1/4" (6.4 x 6.4 mm) notched trowel. There are different ways to ensure good bond of the wedi Base to the subfloor. Required is a setting bed thickness of min. 3/16" (4.8 mm) and max. of 5/16" (7.9 mm) (compressed). Applying thinset on both, wedi Base and subfloor, is a best practice recommended to achieve full surface coverage adhesion.



Press the Fundo OneStep firmly into the thinset bed, ensuring that the installation is level and void free. Apply some weight equally and for at least 30 minutes (thinset bags).



Set up the rubber caulking gasket (bevelled side up) around the 2" (50.8 mm) pipe in the subfloor. The rubber gasket must be flush with the upper end of the 2" (50.8 mm) ABS or PVC pipe. Tighten the connection using caulking nut, metal guide and screw driver.



You can now install waterproof wedi 1/2" (12.7 mm) building panels directly to the framework and seal all joints and fastener points as usual and per wedi Building Panel installation guidelines. (you may install other Backerboards but have to add topical waterproofing/membranes). Your shower is ready for tile!

i Please note important considerations for „After Installation“ and refer to such text in the installation manual for wedi Fundo Primo in this handbook.



wedi Fundo Riolito neo

wedi's pre-sloped shower bases Riolito neo feature fully factory sealed and integrated linear drainage systems. The base itself is naturally waterproof as well as mold proof, due to its closed cell XPS foam core. The Riolito neo bases come with the wedi typical strong and ready for tiling surface coating. All Riolito neo shower bases can be field modified. They can be cut to size or extended using wedi's pre-sloped Fundo extensions.

The integrated drain in Riolito neo ensures your installation is not exposed to the risk commonly associated with bonding flange design/surface waterproofing installation-type, single drain products. The unique wedi Fundo Riolito neo bases allow water to drain away through a narrow gap between their drains cover plate and the tile surface finish. wedi Fundo Riolito neo is always equipped with the drain unit but covers are ordered separately. Options for covers include a polished stainless steel version, a double plated brushed stainless steel version, and a tileable version.

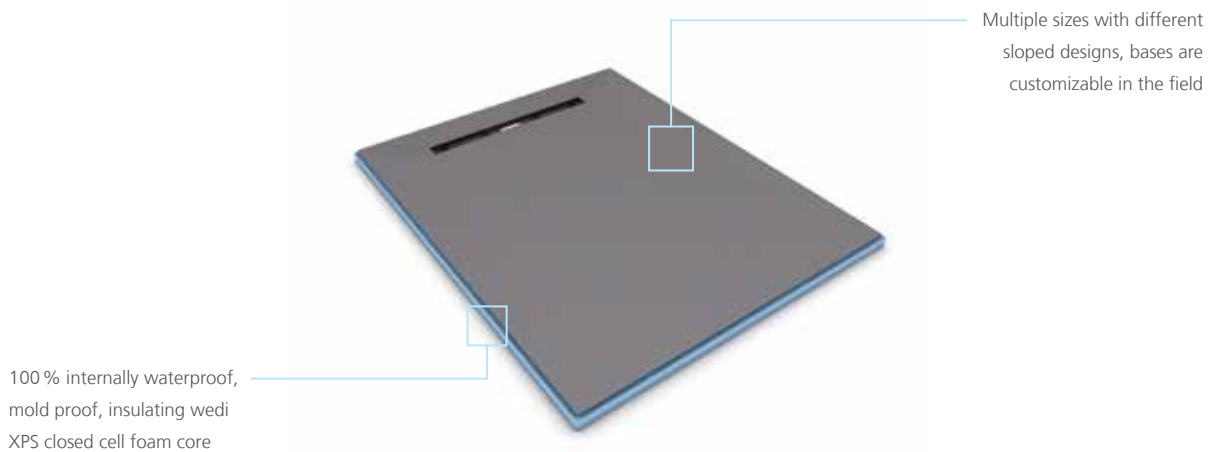
Available in 4-way and 2-way or single slope designs with close to the wall drains, wedi Riolito neo features the industries only factory sealed drain for use in custom shower configurations. What is more, the Fundo Riolito neo is available in one piece shower base panels or as a modular system offering a separate drain module and an extension module to combine and configure custom layouts even easier.

Product Information

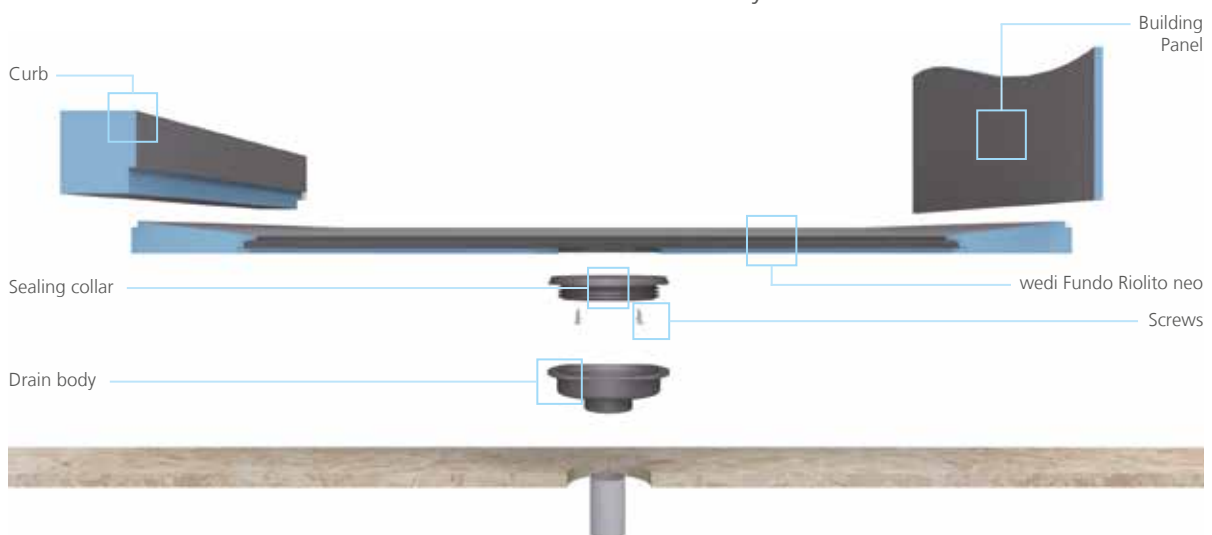
Several models with 4 way slope fields provide for a perfect installation when recessing the base into a subfloor where a flush to the floor entry is required. The second option includes models with a true one way slope towards the linear drain. This latter option is especially designed to accommodate tub to shower conversions without the need to ever move the floor drain pipe.

Linear Drain Shower Floor Solutions

wedi's Fundo Riolito neo linear drain shower bases feature the only fully sealed and factory integrated waterproof drain assembly available in the market of customizable shower floor systems with linear drainage.



Drain to Base Assembly



! Fundo Riolito neo employs different drain and drain cover assembly parts. Please refer to the installation manual in the actual product box. In this section Fundo Riolito neo we are showing the Fundo Riolito neo Drain and Drain Cover parts and assembly. Several Riolito neo models naturally feature different perimeter height or thickness at the edge. Therefore, pre-made standard notch connections of wedi curbs must be modified in the field for a tight fit to the bases. Ramps and Extension panels can naturally not fit to all models and might be modified in the field as well.



wedi Fundo Riolito neo Installation

Before Installation:

- Have extra 2 × 4 blocking installed over bottom plate between studs along to support wedi Building Panel to shower base transition area.
- Subfloor is stable, even and loadbearing, and meets deflection criteria of maximum L/360 and requirements as per IRC. Wooden or concrete structural substrates are dry and sufficiently loadbearing considering live and dead load. Wood and Steel framing is sufficiently loadbearing, plum and square.
- Floor drain assembly below floor is stabilized, fixed and supported in position, and will not sink under water load.
- Only wedi products (Building Panels, Curb, Joint Sealant and Fasteners) are used for wedi Fundo Shower System assembly.
- Installer has received instructions from wedi Technical Sales Staff or is informed about proper installation methods as described.
- wedi Shower Bases can be cut to size using a skilsaw. The Z notch channel must be remade and cleaned from sawdust or other possible contamination.
- Follow applicable state or local plumbing codes requiring specific and dimensioned waterproofed areas for a shower system or other wet room installation. Requirements in this manual supersede local plumbing codes; they extend and are not in conflict. wedi Shower Systems or other wet room installations in which non-wedi product is also used require specific project recommendations by wedi and may reduce the extent and installation area of protection offered by wedi's warranty.



01

Cut the 2" (50.8 mm) pipe 1 1/4" (31.8 mm) below the top of the Subfloor. Use the oval shape cutting template where you want to position the drain to cut out subfloor using a jigsaw to allow wedi drain trap to be inserted and connected to floor pipe using appropriate ABS compatible or multipurpose cement glue. Please also check cement glue compatibility to floor pipe material. The drain and trap have to be secured to the subfloor. Drain recess cut out must not add deflection to subfloor.



02

Assemble the drain unit following the instruction drawing. wedi's Riolito neo bases can be cut to size on all sides making drain positions close to the wall possible. Please do not cut into the linear drains plastic flange integrated into the coated foam part of the base. Once cut the 1/2" × 1/2" (12.7 × 12.7 mm) channels at the new base perimeter must be reestablished. When cutting close to the drain channel always leave enough wedi foam for re-making the needed 1/2" × 1/2" (12.7 × 12.7 mm) channel.



03

Glue and seal the wedi drain trap to the 2" (50.8 mm) pipe using appropriate solvent cement glue for the plastics involved. Do not screw drain body/trap to floor. Secure with some dabs of wedi Joint Sealant under flange instead. Mount the oval sealing collar/gasket to the base's receiving ABS plastic channel on its underside with no gaps showing in between both parts. Use only the wedi screws provided and manually tighten with a Phillips screwdriver. Instead of gluing the drain trap to the floor pipe to the wedi Base's sealing gasket first to ensure a visibly tight connection. The trap will then be glued to the floor pipe later when the base is installed to the floor.



04

Apply a skim coat and finally a combed through bed of a thinset using modified thinset ANSI 118.4 and 1/4" × 1/4" (6.4 × 6.4 mm) notch trowel. There are different ways to ensure good bond of the wedi Base to the subfloor. Required is a setting bed thickness of min. 3/16" (4.8 mm) and max. of 5/16" (7.9 mm) (compressed). Applying thinset on both, wedi Base and subfloor, is a best practice recommended to achieve full surface coverage adhesion. Another best practice is to use fast setting mortar to achieve faster bond and adhesion.



Trowel the thinset on the rear side of the Fundo again using a 1/4" x 1/4" (6.4 x 6.4 mm) notch trowel. Press the Fundo firmly into the thinset bed, ensuring that the installation is level and void free. Do not bend or apply uneven pressure when pressing the part into thinset bed and drain trap. This may break the unit's seals. Ensure wedi drain's sealing gasket is firmly inserted in the wedi trap with no chance that thinset could have pushed into this connection area. This is a tight fit so you should use some water or safe plumbers grease to help. When using plumbers grease, the gasket may retract upward so you need some temporary weight here to keep it fully inserted (thinset bag or tile box). Apply some weight equally and leave on surface and drain area to allow the thinset to initially cure without being disturbed (e.g. thinset bags). Do NOT step on the drain module to push/connect to drain body or thinset. Ensure there is 100% thinset supporting the drain channel area over a completely flat subfloor.



Set up a continuous 1/2" (12.7 mm) bead of wedi Joint Sealant at the perimeter channel and only in areas where you can immediately install a wedi Building Panel into the fresh sealant. Push the wedi Panel all the way into the channel of the shower base channel and its bead of sealant. Smooth out any pushed out sealant on inside seam using a putty knife. Fasten the panels directly to the studs starting 1 ft. (304.8 mm) above the base and start fastening in corners while keeping the board pushed down into the channel, and set the fasteners at a rate of 1 fastener per 1 ft. (304.8 mm). One extra fastener is set into the seam to the next panel to create a flush transition. wedi requires wedi Building Panels to be installed in all areas exposed to water and in any case no lower than 6" (152.4 mm) above all water inlet fixtures.



Apply continuous 1/2" (12.7 mm) beads of sealant between all connections of panels and install with tightly butted seams. Excess sealant must be spread flat with a putty knife. All seams and fastener heads in the assembly are covered with a secondary 1/2" (12.7 mm) bead of sealant and spread flat. The seams should be covered 1" (25.4 mm) on either side of seam. All fastener/washers are covered with sealant stretching 1" (25.4 mm) over the washer edges.



wedi Niches are installed in a cut out in the wedi wall and attached with it's flange right into the center of 16 inch (406.4 mm) o.c. studs. wedi sealant is set along the connection of wall to niche.



2 Fasteners each side of the niche are set to create a flush transition to the wall panels. Another 1/2" (12.7 mm) bead of wedi sealant is spread over fasteners and seams.



A continuous 1/2" (12.7 mm) bead of sealant is set into the channel and along the vertical curb notch part. A circle of 1/2" (12.7 mm) sealant bead is set against the wall panels (and) or the curb sides where the curb attaches. A 1/2" x 1/2" (12.7 x 12.7 mm) bed of thinset mortar is applied to the subfloor and just a skimcoat on the foam bottom part of the curb as a best practice. The tightly cut to fit curb is pressed into the connection. Weight is applied for a minimum of 30 minutes on and against the curb (from outside) and another 1/2" (12.7 mm) bead of sealant is applied over all curb seams and spread flat. The seams must be covered 1" (25.4 mm) either side of a seam.

! Curb connection notches must be cut to fit select Riolito neo base with perimeter thickness higher than 1 1/2" (38.1 mm).

i For the installation to properly work it is critical to waterproof all penetrations of the wedi product such as shower valves and shower heads using the appropriate sealing gaskets for the application. The wedi Mixing Valve Flexi Collar and wedi Flexi Collar (for 1/2" – 3/4" [12.7–19 mm] shower pipe protrusions) are used for these applications and are part of the wedi System complete warranty.

See important considerations „After Installation“ in wedi Fundo Riolito neo Modular manual on the following pages.

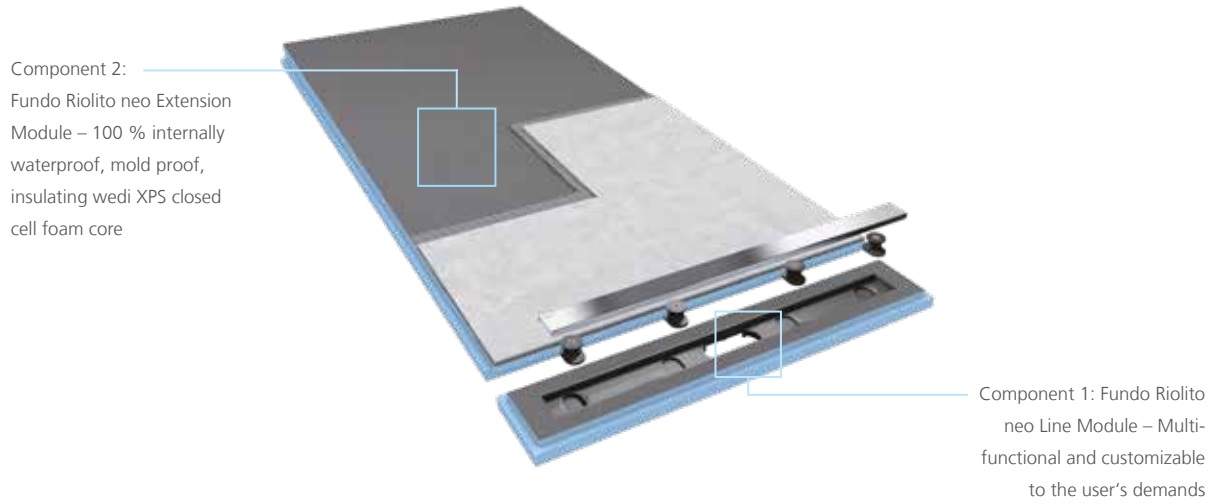


wedi Fundo Riolito neo Modular

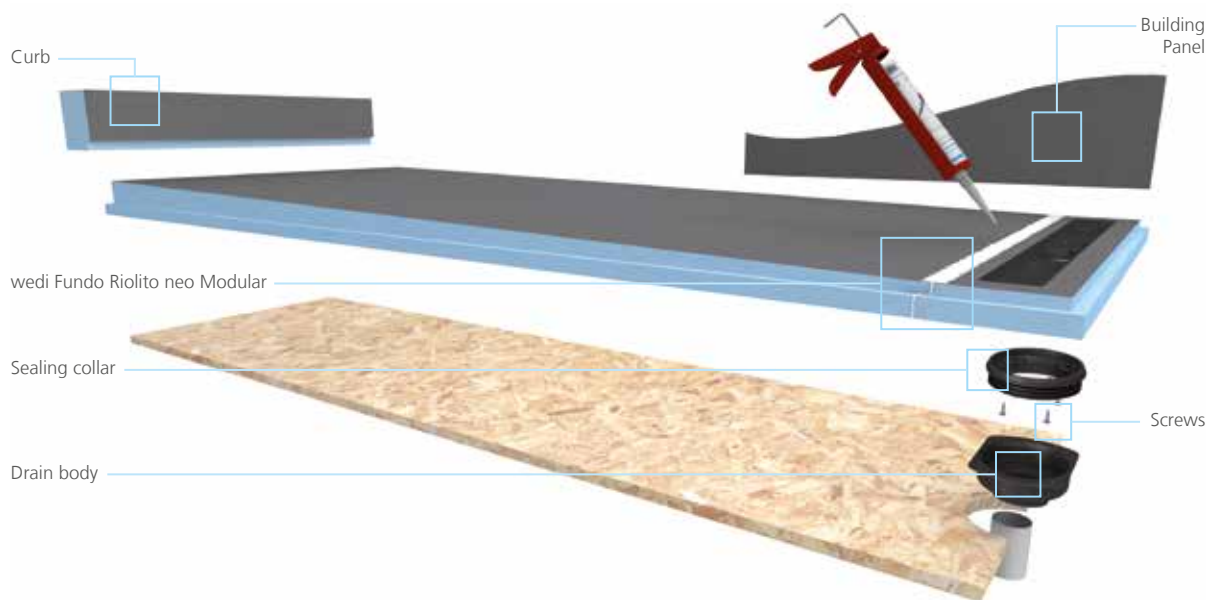
wedi's Fundo Riolito neo System feature the only fully sealed and factory integrated waterproof drain assembly available in the market of customizable shower floor systems with linear drainage.

They are available in two design options. The first option includes models featuring a one-piece shower base including the drain trench. These provide 1-way or 4-way slopes. The second option, Riolito neo Modular is designed to offer more flexibility as it consists of two basic elements: one module including the line module which is a trench drain integrate in a wedi Base module, the other being a sloped extension panel. Drainage can be installed close to the wall or two extension models leading away from either side of an i.e. centered drain. The line modules may also be used with mortar bed shower applications (to be topically waterproofed using wedi Subliner Dry, connecting to the Riolito neo line module).

Linear Drain Shower Floor Solutions



Drain to Base Assembly





wedi Fundo Riolito neo Modular Installation

Before Installation:

- Have extra 2 × 4 blocking installed over bottom plate between studs along to support wedi Building Panel to shower base transition area.
- Subfloor is stable, even and loadbearing, and meets deflection criteria of maximum L/360 and requirements as per IRC. Wooden or concrete structural substrates are dry and sufficiently loadbearing considering live and dead load. Wood and Steel framing is sufficiently loadbearing, plum and square.
- Floor drain assembly below floor is stabilized, fixed and supported in position, and will not sink under water load.
- Only wedi products (Building Panels, Curb, Joint Sealant and Fasteners) are used for wedi Fundo Shower System assembly.
- Installer has received instructions from wedi Technical Sales Staff or is informed about proper installation methods as described.
- wedi Shower Bases can be cut to size using a skilsaw. The Z notch channel must be remade and cleaned from sawdust or other possible contamination.
- Follow applicable state or local plumbing codes requiring specific and dimensioned waterproofed areas for a shower system or other wet room installation. Requirements in this manual supersede local plumbing codes; they extend and are not in conflict. wedi Shower Systems or other wet room installations in which non-wedi product is also used require specific project recommendations by wedi and may reduce the extent and installation area of protection offered by wedi's warranty.

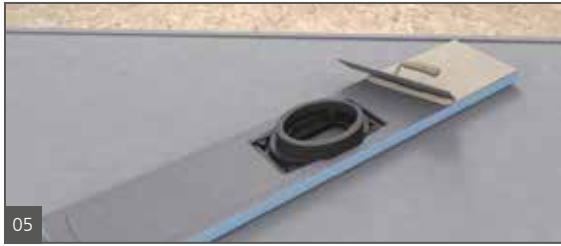


Cut the 2" (50.8 mm) pipe 1 1/4" (31.8 mm) below the top of the Subfloor. Use the oval shape cutting template where you want to position the drain to cut out subfloor using a jigsaw to allow wedi drain trap to be inserted and connected to floor pipe using appropriate ABS compatible or multipurpose cement glue. Please also check cement glue compatibility to floor pipe material. The drain and trap have to be secured to the subfloor. Drain recess cut out must not add deflection to subfloor.

Assemble the drain unit following the instruction drawing. wedi's Riolito neo bases can be cut to size on all sides making drain positions close to the wall possible. Please do not cut into the linear drains plastic flange integrated into the coated foam part of the base. Once cut the 1/2" × 1/2" (12.7 × 12.7 mm) channels at the new base perimeter must be reestablished. When cutting close to the drain channel always leave enough wedi foam for re-making the needed 1/2" × 1/2" (12.7 × 12.7 mm) channel. Never bend or pressure the modular drain unit when handling or installing the gasket. Always work on it with the unit laying on a flat and supporting surface.

Glue and seal the wedi drain trap to the 2" (50.8 mm) pipe using appropriate solvent cement glue for the plastics involved. Do not screw drain body/trap to floor. Secure with some dabs of wedi Joint Sealant under flange instead. Mount the oval sealing collar/gasket to the base's receiving ABS plastic channel on it's underside with no gaps showing in between both parts. Use only the wedi screws provided and manually tighten with a Phillips screwdriver. Instead of gluing the drain trap to the floor pipe first, you may also connect it to the wedi Base's sealing gasket first to ensure a visibly tight connection. The trap will then be glued to the floor pipe later when the base is installed to the floor. Apply a skim coat and finally a combed through bed of a thinset using modified thinset ANSI 118.4 and 1/4" × 1/4" (6.4 × 6.4 mm) notch trowel. There are different ways to ensure good bond of the wedi Base to the subfloor. Required is a setting bed thickness of min. 3/16" (4.8 mm) and max. of 5/16" (7.9 mm) (compressed). Applying thinset on both, wedi Base and subfloor, is a best practice recommended to achieve full surface coverage adhesion. wedi recommends to cut and dry fit both floor modules to shower stall size and drain location. Another best practice is to use fast setting mortar to achieve faster bond and adhesion.

i For the installation to properly work it is critical to waterproof all penetrations of the wedi product such as shower valves and shower heads using the appropriate sealing gaskets for the application. The wedi Mixing Valve Flexi Collar and wedi Flexi Collar (for 1/2" – 3/4" [12.7–19 mm] shower pipe protrusions) are used for these applications and are part of the wedi System complete warranty.



Trowel the thinset on the rear side of the Fundo Riolito neo Module "Drain" again using a 1/4" x 1/4" (6.4 x 6.4 mm) notch trowel.

Press the Fundo Riolito neo Module „Line Drain" into the thinset so that the sealing gasket moves smoothly into the drain body without contamination through thinset. Do not bend or apply uneven pressure when pressing the part into thinset bed and drain trap. This is a tight fit so you should use some water or safe plumbers grease to help. When using plumbers grease, the gasket may retract upward so you need some temporary weight here to keep it fully inserted (thinset bag or tile box). Carefully apply weight equally and leave on surface and drain area to allow the thinset to initially cure



without being disturbed (e.g. thinset bags). Ensure there is 100% thinset supporting the drain channel area over a completely flat subfloor. This may break the unit's seals. Make sure the entire wedi cement coated underside of the drain module will have thinset support/coverage. Do NOT step on the drain module to push /connect to drain body or thinset. Apply a 1/2" (12.7 mm) bead of wedi Joint Sealant to the module's Z notch channel and insert the second module, the "Extension". The module "Extension", once cut to length, is also installed using thinset mortar and using the same technique as shown under 4. Apply a 1/2" (12.7 mm) bead of wedi Joint Sealant over the seam between both modules and spread flat using a putty knife.



Set up a continuous 1/2" (12.7 mm) bead of wedi Joint Sealant at the perimeter channel and only in areas where you can immediately install a wedi Building Panel into the fresh sealant. Push the wedi Panel all the way into the channel of the shower base channel and its bead of sealant. Smooth out any pushed out sealant on inside seam using a putty knife. Fasten the panels directly to the studs starting 1 ft. (304.8 mm) above the base and at a rate of 1 fastener per 1ft (304.8 mm). One extra fastener is set into the seam to the next panel to create a flush transition. wedi requires wedi Building Panels to be installed in all areas exposed to water and in any case no lower than 6" (152.4 mm) above all water inlet fixtures.



Apply continuous 1/2" (12.7 mm) bead of sealant between all connections of panels and install with tightly butted seams. Excess sealant must be spread flat with a putty knife. All seams and fastener heads in the assembly are covered with a secondary 1/2" (12.7 mm) bead of sealant and spread flat. The seams should be covered 1" (25.4 mm) on either side of seam. All fastener/washers are covered with sealant stretching 1" (25.4 mm) over the washer edges.



wedi Niches are installed in a cut out in the wedi wall and attached with it's flange right into the center of 16 o.c. (406.4 mm) studs. wedi Joint Sealant is set along the connection of wall to niche.



2 Fasteners each side of the niche are set to create a flush transition to the wall panels. Another 1/2" (12.7 mm) bead of wedi sealant is spread over fasteners and seams.



A continuous 1/2" (12.7 mm) bead of sealant is set into the channel and along the vertical curb notch part. A circle of 1/2" (12.7 mm) sealant bead is set against the wall panels (and) or the curb sides where the curb attaches. A 1/2" x 1/2" (12.7 x 12.7 mm) bed of thinset mortar is applied to the subfloor. The tightly cut to fit curb is pressed into the connection. Apply weight for at least 30 minutes on and against the curb (from the outside) and another 1/2" (12.7 mm) bead of sealant is applied over all curb seams and spread flat. The seams must be covered 1" (25.4 mm) either side of a seam.

! Curb connection notches must be cut to tightly fit select Riolito neo bases.

After Installation

All visible joints or seams in the installation are visibly covered and reinforced with wedi Joint Sealant applied flat over the seams. Coverage of wedi Joint Sealant over all seams should be at least 1 inch (25.4 mm) on either side of the seam. The wedi Joint Sealant should be no less than 1/16 inch (1.6 mm) thick for strength. Do not add mesh tape into the wedi Joint Sealant. This may only put the waterproofing performance at risk and will not strengthen the sealant's or system's resistance against movement related stresses. Once wedi Joint Sealant application over all shower system seams has been completed, an optional water flood test may be performed as early as 2 hours later. The test should not exceed 24 hours and nor should the water level exceed the height of the perimeter seams so that the fresh sealant may continue to a full cure without too much weight added during that process. wedi recommends to test at least the drain connection for its proper seal while a full surface flood test is not technically required for non-absorbing products like wedi but may be required by a building inspection department. When tiling commences, no premixed and organic ("mastic") tile adhesives must be used over wedi Systems in any wet area installation. When tiling the wedi Shower Bases incl. extensions or ramps, tile thickness should generally not be less than 1/8" (3.2 mm). Choose setting materials appropriate for the type of stone, ceramic or glass tile as well as for a wet area installation. Tile with a square size of 2 x 2" (50.8 x 50.8 mm) or more may be installed using a polymer modified cement based tile adhesive and grout. Tile with a square size of less than 2 x 2" (50.8 x 50.8 mm) may be installed using a polymer modified cement based tile adhesive and require 100 % solids epoxy grout. Tile with a square size of 1 x 1" (25.4 x 25.4 mm) or less must be installed using a 100 % solids epoxy tile adhesive and grout. Only non-flat bottom pebble stone installations including in part small mosaics may be installed using polymer modified cement based tile adhesive and grout, all flat bottom pebble stone installation are subject to the general tile size based setting materials recommendation outlined above. When installing non-square tile, the length of the shortest tile edge(s) is considered as its square size for the purpose of determining the choice of the setting materials as outlined above. All tile installations designed to receive heavier point loads such as from wheelchair use, must be grouted using 100 % solids epoxy grout. Large format tile may be installed over wedi Fundo shower bases. Cuts may have to be made in consideration of the base's slope lines and so that such tile can always be fully supported by the tile adhesive setting bed and the surface of the wedi Base. Tile adhesive coverage under the tile must be 95 % and special care must be taken to achieve good transfer of adhesive to wedi's shower base when working with mesh backed tile. Please use only solvent and acid free cleaners and sealers on tile and grout installed over wedi product and apply such products only in amounts as needed to treat the surface materials without drenching the substrate. Follow setting materials manufacturers recommendations and contact wedi with any questions or regarding applications not covered here.

Installation instructions wedi Fundo Riolito neo/Riolito neo Modular Drain Cover

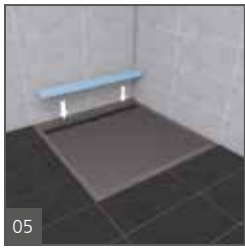
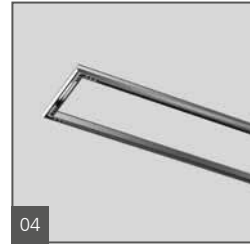
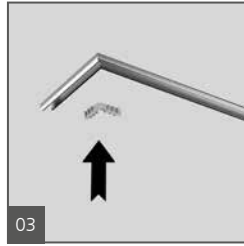
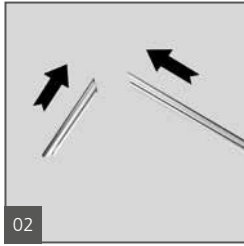
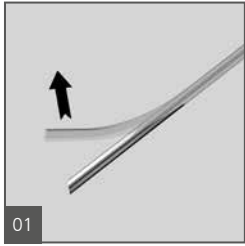
01 Drain Cover Fundo Riolito neo standard: High Grade Polished Stainless Steel Standard Version

02 Drain Cover Fundo Riolito neo exclusive: High Grade Double Plated Stainless Steel Version

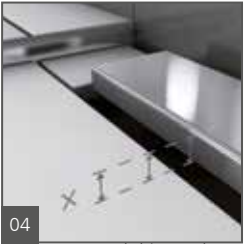
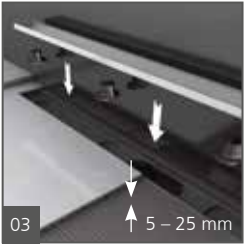
03 Drain Cover Fundo Riolito neo tileable: Can be tiled with epoxy glue/ adhesive or wedi Joint Sealant. Can be used for 1/4" (6.4 mm) and 1/2" (12.7 mm) tile / stone (reverse cover). Drain cover can be adjusted from + 5 mm to + 25 mm from Riolito neo base surface (depth for tiling 11 mm). The cover supports may be extended out to needed height using the allen key included in box. The supports may also be cut shorter along prefabricated cutting lines before assembly with allen key.



wedi Fundo Riolito neo Channel Frame



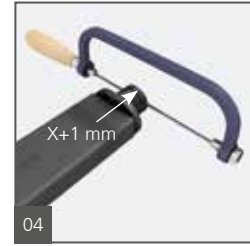
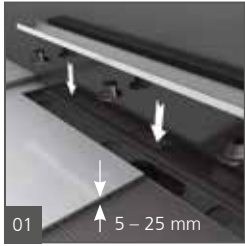
Linear channel cover standard and exclusive



x = compressed thinset plus tile thickness + 1 mm.



Linear channel cover tileable

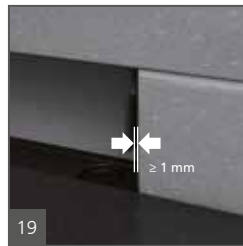
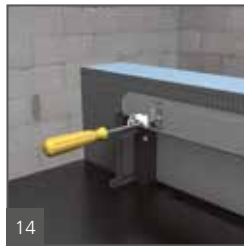
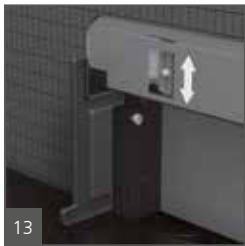
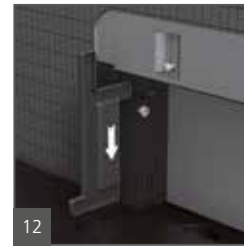
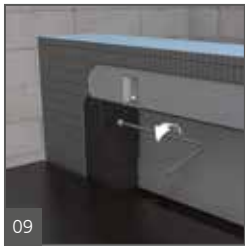
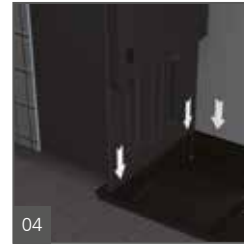




wedi Fundo Discreto

The wedi Fundo Discreto, the world's first vertical drain cover system panel that can be built into double walls or wedi made seats, steps, shelving or foot rests and can be installed over fitting wedi Fundo Riolito neo channel drain systems. The brand-new wedi Fundo Discreto has a 100 % waterproof core, integrated design and reversible cover (finished in brushed stainless steel, or it can be reversed and tiled over) and offer the ability to clean with ease, making it the ultimate shower wall drain solution.

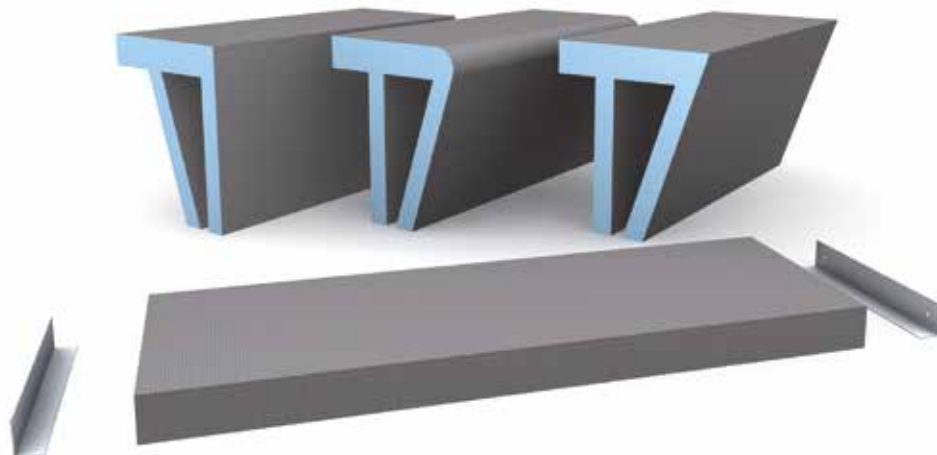






wedi Sanoasa Shower Benches 1–4

Comfort means something different to each person. The feeling of quiet and relaxation when sitting in the shower, though, is a very pleasant experience for everyone. The wedi Sanoasa benches provide plenty of space to comfortably relax, pampering both your body and mind in your own small wellness temple. The smart construction enables an unequalled freedom of visual design; both the seating areas and the carrier elements can not only be positioned the way you like, but also their shapes and sizes can be modified to suit. The benches attach to shower wall and floor surfaces using wedi Joint Sealant or, where a gap opens to the floor due to a sloped shower floor, thinset is used to fill the gap and mesh tape is applied over the thinset application or floor to bench seam.





More wedi Prefabricated Shower Seats and Benches

wedi prefabricated shower seats and benches install much quicker and easier than metal tray or concrete seats. Plus, they bond well to thinset mortar and are 100 % waterproof due to the extruded polystyrene closed cell foam core which is manufactured without the use of CFC and contains no HBCD. They will not cause efflorescence or discolorations or waterproofing issues as frequently observed with products including those requiring mortar fills. Create the perfect waterproof seating solution for your shower. wedi Prefabricated Suspended Corner Seats do not require additional blocking installed in the framing. Their mounting brackets are fastened into existing wall studs.





Prefabricated Niches

wedi prefabricated niches are fabricated from ½" (12.7 mm) Building Panels for strength and come in five different size options. The perfect fit for all your shower necessities, our niches install quickly and safely, and integrate flush into the wall panel assembly with wedi fasteners and wedi sealant. Shelves, included in some models, are flexible and can be installed exactly where they will fit your design best.





Premium brand wedi

wedi Building Panel Applications



wedi Shower System Solutions

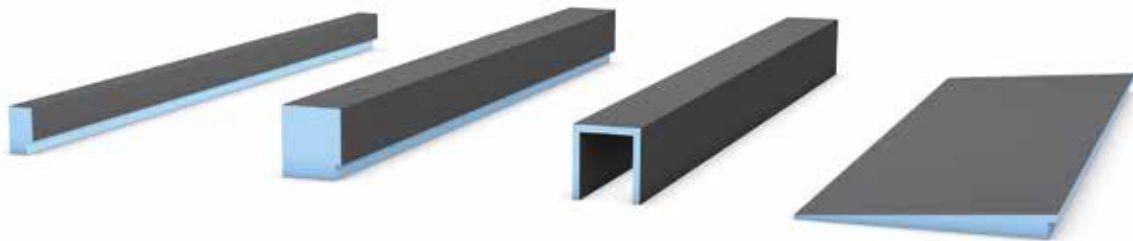
Underlayment Systems & Installation Tools

wedi Wellness and Spa System Solutions





Curbs and Ramps

Available in several options for shower entry designs where transitions are required. wedi curbs and ramps can be installed with wedi Fundo shower bases, as well as conventional mortar bed systems. Waterproof and versatile, our curbs and ramps may be tiled before glass doors, panels or glass blocks are installed. Epoxy glue is recommended instead of screw fasteners when installing shower door tracks. The solid curb options are slightly sloped on the top surface so water will run back into the shower. Solid curbs carry a weight of up to 280 lbs/ft. once tiled. The wedi ramp is ADA compliant.

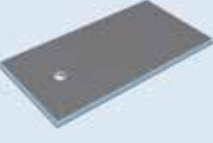
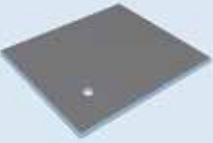


wedi Fundo Primo | Square and Rectangular Shower Bases, Center Drain

	Description	Dimensions	Unit	Item #
	wedi Fundo Primo, square	36" x 36" incl. drain (914 x 914 mm)	1 pc	073735507
	wedi Fundo Primo, square	48" x 48" incl. drain (1220 x 1220 mm)	1 pc	073735505
	wedi Fundo Primo, square	60" x 60" incl. drain (1524 x 1524 mm)	1 pc	073735518
	wedi Fundo Primo, square	72" x 72" incl. drain (1830 x 1830 mm)	1 pc	073735524
	wedi Fundo Primo, rectangular	36" x 48" incl. drain (914 x 1220 mm)	1 pc	073735516
	wedi Fundo Primo, rectangular	36" x 60" incl. drain (914 x 1524 mm)	1 pc	073735506
	wedi Fundo Primo, rectangular	48" x 60" incl. drain (1220 x 1524 mm)	1 pc	073735509
	wedi Fundo Primo, rectangular	48" x 72" incl. drain (1220 x 1830 mm)	1 pc	073735508
	wedi Fundo Primo, rectangular	60" x 72" incl. drain (1524 x 1830 mm)	1 pc	073735519
	wedi Fundo Primo, rectangular	48" x 84" incl. drain (1220 x 2134 mm)	1 pc	073735522
	wedi Fundo Primo, rectangular	60" x 84" incl. drain (1524 x 2134 mm)	1 pc	073735523
	wedi Fundo Primo, rectangular	36" x 72" incl. drain (914 x 1830 mm)	1 pc	073735525


! wedi Fundo elements vary in thickness from 1 1/2" to 2" at the perimeter. When working with modular wedi curbs or ramps the connection notch might need to be adjusted in the field.
Equipped with Drain Unit and Cover Set Brushed Stainless Steel.

wedi Fundo Primo | Rectangular Shower Base, Offset Drain

	Description	Dimensions	Unit	Item #
	wedi Fundo Primo, rectangular, offset drain	36" x 72" incl. drain (914 x 1830 mm)	1 pc	073735521
	wedi Fundo Primo, rectangular, corner drain	60" x 72" incl. drain (1524 x 1830 mm)	1 pc	073735526
	! For tub replacement installations. Cut unit to always meet drain and shower size. Equipped with Drain Unit and Cover Set Brushed Stainless Steel.			


For more detailed installation and product information visit www.wedicorp.com.

wedi Fundo Ligno | Square and Rectangular Shower Bases, Center Drain



Description	Dimensions	Unit	Item #
wedi Fundo Ligno, square	36" x 36" x 3/4" (914 x 914 x 19 mm)	1 pc	073732010
wedi Fundo Ligno, square	48" x 48" x 3/4" (1220 x 1220 x 19 mm)	1 pc	073732015
wedi Fundo Ligno, square	60" x 60" x 3/4" (1524 x 1524 x 19 mm)	1 pc	073732018
wedi Fundo Ligno, rectangular	36" x 48" x 3/4" (914 x 1220 x 19 mm)	1 pc	073732014
wedi Fundo Ligno, rectangular	36" x 60" x 3/4" (914 x 1524 x 19 mm)	1 pc	073732016
wedi Fundo Ligno, rectangular	48" x 60" x 3/4" (1220 x 1524 x 19 mm)	1 pc	073732017

wedi Fundo Ligno Recess Installation Kit




Description	Dimension	Unit	Item #
wedi Fundo Ligno Recess Installation Kit	5' x 5'	1 pc	US5000085

! For a wedi Fundo Ligno Shower Base up to 60" x 60" (1524 x 1524 mm) in size.

- 30 x C Brackets
- 10 x Joist Brackets
- 60 x Coarse thread flat head Phillips wood screws
- 40 x Long flat head Phillips self-drilling screws with wings
- 160 x Short flat head Phillips self-drilling screws with wings


wedi Fundo Shower Bases | Customized Products



! The customized products are between 1.5" – 2" thick. Other thicknesses available upon request.


- You can freely select the position of the drain in your customized product.
- Your customized products can be square, rectangular or polygonal. Curves are available upon request.
- Delivery of Fundo customized products takes approx. 8 weeks.
- Slope will reflect 1/4" per one ft. (minimum)

wedi Fundo Riolito neo | Shower Base, with Integrated Channel Drain




Description	External Dimensions Length x Width x Height	Channel Length	Item #
wedi Fundo Riolito neo, floor base, with channel drain	36" x 60" x 1 15/16" incl. drain, four-way slope (914 x 1524 x 51 mm)	43 5/16" (1100 mm)	075100016
wedi Fundo Riolito neo, floor base, with channel drain	48" x 60" x 2 9/16" incl. drain, four-way slope (1220 x 1524 x 63 mm)	27 1/2" (700 mm)	075100012
wedi Fundo Riolito neo, floor base, with channel drain	48" x 72" x 2 3/8" incl. drain, four-way slope (1220 x 1830 x 63 mm)	43 5/16" (1100 mm)	075100014
wedi Fundo Riolito neo, floor base, with channel drain	32" x 72" x (2 3/4" – 1 3/8") incl. drain, single slope (one-way slope) (813 x 1830 x 63 – 35.4 mm)	27 1/2" (700 mm)	075100015

wedi Fundo Riolito neo Modular | Shower Base, with Integrated Channel Drain


	Description	External Dimensions Length x Width x Height	Channel Length	Item #
	wedi Fundo Riolito neo, line module	32" x 5 3/4" (813 x 146 mm) Height Line Module: 1 3/8" (35.4 mm)	27 1/2" (700 mm)	075100052
	wedi Fundo Riolito neo, line module	48" x 5 3/4" (1220 x 146 mm) Height Line Module: 1 3/8" (35.4 mm)	43 5/16" (1100 mm)	075100053
	wedi Fundo Riolito neo, extension module	32" x 66 3/4" (813 x 1700 mm) Height Line Module: 1 3/8" (35.4 mm) – 2 3/16" (55.6 mm)	–	075100050
	wedi Fundo Riolito neo, extension module	48" x 66 3/4" (1200 x 1700 mm) Height Line Module: 1 3/8" (35.4 mm) – 2 3/16" (55.6 mm)	–	075100051

wedi Fundo Riolito neo Standard | Cover Plate, Stainless Steel

	Description	Width x Length x Height	Unit	Item #
	wedi Fundo Riolito neo Standard drain cover for Riolito neo base 36" x 60" and 48" x 72" (914 x 1524 mm) and (1220 x 1830 mm), Riolito neo Modular 48" x 5 3/4" (1220 x 146 mm)	1 5/8" x 43 1/4" x 3/4" (41 x 1100 x 19 mm)	1 pc	676797045
	wedi Fundo Riolito neo Standard drain cover for Riolito neo base 48" x 60" and 32" x 72" (1220 x 1524 mm) and (813 x 1830 mm) Riolito neo Modular 32" x 5 3/4" (813 x 146 mm)	1 5/8" x 27 5/8" x 3/4" (41 x 700 x 19 mm)	1 pc	676797048

! For tile installation heights of between 3/16" to 1"
For Fundo Bases Riolito neo and Riolito neo Modular


wedi Fundo Riolito neo Exclusive | Cover Plate, Stainless Steel

	Description	Width x Length x Height	Unit	Item #
	wedi Fundo Riolito neo Exclusive drain cover for Riolito neo base 36" x 60" and 48" x 72" (914 x 1524 mm) and (1220 x 1830 mm), Riolito neo Modular 48" x 5 3/4" (1220 x 146 mm)	1 5/8" x 43 1/4" x 3/4" (41 x 1100 x 19 mm)	1 pc	676797046
	wedi Fundo Riolito neo Exclusive drain cover for Riolito neo base 48" x 60" and 32" x 72" (1220 x 1524 mm) and (813 x 1830 mm), Riolito neo Modular 32" x 5 3/4" (813 x 146 mm)	1 5/8" x 27 5/8" x 3/4" (41 x 700 x 19 mm)	1 pc	676797049

! For tile installation heights of between 3/16" to 1"
For Fundo Bases Riolito neo and Riolito neo Modular

All wedi Fundo shower bases can be cut to size on site or ordered as a custom size.
For more detailed installation and product information visit www.wedicorp.com.

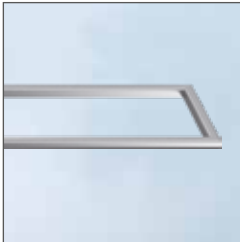
wedi Fundo Riolito neo Tileable | Cover Plate, Stainless Steel



Description	Width × Length × Height	Unit	Item #
wedi Fundo Riolito neo Tileable drain cover for Riolito neo base 36" × 60" and 48" × 72" (914 × 1524 mm) and (1220 × 1830 mm), Riolito neo Modular 48" × 5 3/4" (1220 × 146 mm)	1 5/8" × 43 1/4" × 3/4" (41 × 1100 × 19 mm)	1 pc	676797047
wedi Fundo Riolito neo Tileable drain cover for Riolito neo base 48" × 60" and 32" × 72" (1220 × 1524 mm) and (813 × 1830 mm), Riolito neo Modular 32" × 5 3/4" (813 × 146 mm)	1 5/8" × 27 5/8" × 3/4" (41 × 700 × 19 mm)	1 pc	676797050

! For tile installation heights of between 3/16" to 1".
Reverse for thinner or thicker tile. For Fundo Bases Riolito neo and Riolito neo Modular


wedi Fundo Riolito neo Channel Frame



Description	Width × Length × Height	Unit	Item #
wedi Fundo Riolito neo Channel Frame for 28" (700 mm) channel	2.5" × 28" × 0.25" (63 × 700 × 30 mm)	1 pc	676800061
wedi Fundo Riolito neo Channel Frame for 43.75" (1100 mm) channel	2.5" × 43.75" × 0.25" (63 × 1100 × 30 mm)	1 pc	676800064

! For use with wedi Fundo Riolito neo and Riolito neo Modular bases with 700 mm and 1100 mm channel
Made of Brushed Stainless Steel

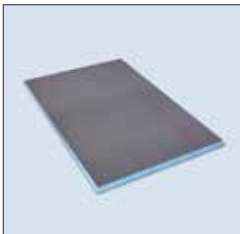
wedi Fundo Discreto | System Component, for Creating Vertical Wall Drainage



Description	External Dimensions Length × Height × Depth	Unit	Item #
wedi Fundo Discreto System Component, channel length 31.5" (800 mm), Integrates into wedi seats, tileable cover included	31.5" × 6" × 3 1/15" (1000 × 154 × 80 mm)	1 pc	073738207
wedi Fundo Discreto System Component, channel length 43.75" (1100 mm) Integrates into wedi seats, tileable cover included	47 1/4" × 6" × 3 1/15" (1200 × 154 × 80 mm)	1 pc	073738209

i For installation over wedi Fundo Riolito neo 48" × 60" or 32" × 60" bases


wedi Fundo/Pre-Sloped Extension Panels



Description	Width × Length × Thickness	Unit	Item #
Fundo Straight Extension Panel	24" × 48", sloped 1/4"/ft. (609.8 × 1219.2 mm, sloped 6 mm in 30 mm)	sheet	073783528
Fundo Ligno Extension Panel	12" × 60", sloped 1/4"/ft. (304.8 × 1524 mm, sloped 6 mm in 30 mm)	sheet	073732030
Fundo Straight Extension Panel "Lean"	12" × 72", sloped 1/4"/ft. (304.8 × 1828.8 mm, sloped 6 mm in 30 mm)	sheet	073783523


! Slope extends over 24" or 12" direction of either extension panel
Pre-grooved
Extension panels are designed to interlock with wedi Fundo Primo bases and 4 way slope wedi Fundo Riolito neo bases. Extension Panels installation height must be increased if connected to Fundo shower bases thicker than 1 1/2" at perimeter.

wedi XPS Easy Box

	Description	Dimension	Unit	Item #
	wedi XPS Easy Box		72" x 36" x 3.35" (1829 x 914 x 85 mm)	1 pc


i Use wedi XPS Easy Box to increase installation height for wedi Shower Bases Fundo Primo, Riolito neo, Riolito neo Modular. An increase of installation height might become necessary if horizontal drainage must be accommodated below wedi Shower Bases. Such drainage can be integrated into XPS Easy Box on which wedi Shower Bases are installed. XPS block „Easy Box“ can be cut to size as required. wedi's solid foam Curbs can be supported by Easy Box when installed at the entry of wedi Shower Bases.

wedi Fundo Primo Shower Kit

	Description	Dimension	Unit	Item #
	wedi Fundo Primo Shower Kit	36" x 36" center drain (914 x 914 mm)	1 pc	US2000002
	wedi Fundo Primo Shower Kit	36" x 48" center drain (914 x 1220 mm)	1 pc	US2000007
	wedi Fundo Primo Shower Kit	48" x 48" center drain (1220 x 1220 mm)	1 pc	US2000004
	wedi Fundo Primo Shower Kit	36" x 60" center drain (914 x 1524 mm)	1 pc	US2000003
	wedi Fundo Primo Shower Kit	36" x 72" center drain (914 x 1830 mm)	1 pc	US2000001
	wedi Fundo Primo Shower Kit	36" x 72" offset drain (914 x 1830 mm)	1 pc	US2000008
	wedi Fundo Primo Shower Kit	48" x 60" center drain (1220 x 1524 mm)	1 pc	US2000005
	wedi Fundo Primo Shower Kit	48" x 72" center drain (1220 x 1830 mm)	1 pc	US2000006

- !** Wall height 80"
 - Matching drains and drain covers on page 111/112
 - See technical drawing for wedi Fundo Primo bases for shower floor design and drain location information on p. 118
- 🔧**
 - 1 wedi Fundo Pan
 - wedi Building Panels to cover up to (3) 80" walls
 - 1 drain assembly
 - 1 Full Foam Curb Lean
 - wedi Joint Sealant
 - Fasteners
 - wedi putty knife
 - Mixing Valve Flexi Collar
 - Flexi Collar (for pipe protrusions)

wedi Fundo Riolito neo Shower Kit

	Description	Dimension	Unit	Item #
	wedi Fundo Riolito neo Shower Kit		32" x 72" One-Sided Slope (660 x 1830 mm)	1 pc

!

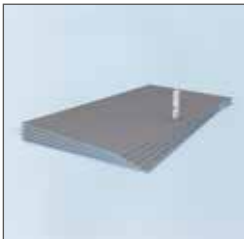
- Wall height 80" (2032 mm)
- Order drain cover separately
- See technical drawing for wedi Fundo Riolito neo 32" x 72" for shower floor design and drain location information on p. 124

🔧

- 1 wedi Fundo Shower Pan
- wedi Building Panels to cover up to (3) 80" walls
- 1 drain assembly
- 1 Standard Cover Plate
- 1 Full Foam Curb Lean
- Fasteners
- wedi Joint Sealant
- Mixing Valve Flexi Collar
- Flexi Collar (for pipe protrusions)


For more detailed installation and product information visit www.wedicorp.com.

Underlayment Kit

	Description	Kit Contents	Unit	Item #
	Underlayment Kit		(5) wedi 2' x 4' x 1/4" Building Panels (600 x 1250 x 6 mm) (1) wedi Joint Sealant, 10.5 oz. (310 ml) 40 x tabless washers and wood screws	1 kit


! Especially for use with electric floor warming systems.

wedi OneStep Shower System

	Description	External Dimensions Length x Width x Height	Unit	Item #
	wedi OneStep Shower Base		36" x 36" x 4", center drain (914 x 914 x 101.6 mm)	1 pc
wedi OneStep Shower Base		36" x 48" x 4", center drain (914 x 1220 x 101.6 mm)	1 pc	US4000005
wedi OneStep Shower Base		32" x 60" x 4", center drain (813 x 1524 x 101.6 mm)	1 pc	US4000008
wedi OneStep Shower Base		36" x 60" x 4", center drain (914 x 1524 x 101.6 mm)	1 pc	US4000003
wedi OneStep Shower/ Tub Replacement Base		36" x 60" x 4", left drain (914 x 1524 x 101.6 mm)	1 pc	US4000006
wedi OneStep Shower/ Tub Replacement Base		36" x 60" x 4", right drain (914 x 1524 x 101.6 mm)	1 pc	US4000007




i Custom Sizes available on request

wedi Shower and Bath Tub Surround Kit


	Description	Kit Contents	Unit	Item #
	wedi Shower and Bath Tub Surround Kit		(5) wedi 3' x 5' x 1/2" Building Panels (914 x 1524 x 12.7 mm) (5) wedi Joint Sealant, 10.5 oz. (310 ml) (1) Mixing Valve Flexi Collar (1) Flexi Collar (1) Corner Putty Knife 100 ct. of wedi Tab Steel Washers 100 ct. of wedi Galvanized Screws	1 kit

! For Tub surrounds, Shower Wall Surrounds and use with wedi Onestep Shower Bases.

wedi Fundo Drain Units & Kits Standard | Drain, PVC, ABS and Brass

	Description	Unit	Item #
	wedi Fundo Drain Kit Standard, ABS, Compression Fit	1 pc	US1000003
	wedi Fundo Drain Kit; Brass, Compression Fit	1 pc	US1000004
	wedi Fundo Glue Drain Kit, PVC	1 pc	US1000035
	wedi Fundo Compression Fit Drain Unit	1 pc	US1000012
	wedi Fundo Brass Compression Fit Drain Unit	1 pc	US1000011
	wedi Fundo Glue Drain, PVC	1 pc	US1000034
	wedi Angle Drain	1 pc	US1000027
<ul style="list-style-type: none"> ! Drain Units connect to Schedule 40 pipe ▪ Compression Fit Drain units can be used with ABS/PVC pipe ▪ Glue Drain units can be used with ABS floor pipe ▪ Items sold as Kit contain Drain unit and Cover Set standard ▪ For wedi Fundo Primo, Ligno and Onestep 			

wedi Fundo Drain Accessories | Specialty 2" Sealing Gaskets

	Description	Unit	Item #
	Special Rubber Caulking Gasket for Cast Iron Pipe Connection	1 pc	US5000030
	Special Rubber Caulking Gasket for Copper Pipe Connection	1 pc	US5000031
<ul style="list-style-type: none"> ! For use in Compression Fit Drain units ▪ Specialty Gaskets available upon request 			


wedi Fundo Fino | Optional Design Covers, Stainless Steel Brushed

	Description	Unit	Item #
Set 1.1	wedi Fundo Fino Cover Set 1.1, square 4" x 4" (102 x 102 mm) (Daisy Design)	1 pc	US1000021
	wedi Fundo Fino Cover Set 1.1.2, round (Daisy Design)	1 pc	US1000023
Set 3.1	wedi Fundo Fino Cover Set 1.3, square 4" x 4" (102 x 102 mm) / w. Screws (Daisy Design)	1 pc	US1000022
	wedi Fundo Fino Cover Set 3.1, square 4" x 4" (102 x 102 mm) (Pebbles Design)	1 pc	US1000024
Set 1.1.2	wedi Fundo Fino Cover Set 3.1.2, round (Pebbles Design)	1 pc	US1000026
Set 3.1.2	wedi Fundo Fino Cover Set 3.3, square 4" x 4" (102 x 102 mm) / w. Screws (Pebbles Design)	1 pc	US1000025
	wedi Fundo Fino Tileable Cover Plate, square 4" x 4" (102 x 102 mm)	1 pc	US1000020

- ! For use with wedi Fundo Primo, Ligno, Onestep, Trollo, Nautilo bases.
 - Tileable cover plate surface is elevated 1/16" over tile surface of a Fundo base. For a flush tile installation, wedi Joint Sealant spot bonding may be used to install the tile inside the cover so height is reduced versus the thinset bed build up under the tile on the shower base.
- 🔧 1 drain cover, stainless steel
 - 1 Frame, stainless steel

For more detailed installation and product information visit www.wedicorp.com.


wedi Fundo Standard | Drain Cover, Stainless Steel Base



Description	Width × Length	Unit	Item #
wedi Fundo Drain Cover Set, Brushed Stainless Steel	4" × 4" (100 × 100 mm)	1 pc	US1000009
wedi Fundo Drain Cover Set, Brushed Stainless Steel with Screws	4" × 4" (100 × 100 mm)	1 pc	US1000029
wedi Fundo Drain Cover Set, Oil Rubbed Bronze	4" × 4" (100 × 100 mm)	1 pc	US1000008

- ! For this drain cover, the height of your tiling must be at least 1/4".
- For use with wedi Fundo Primo, Ligno, Onestep, Trollo, Nautilo bases.
- The Standard Drain Cover included in Fundo Systems Primo/Ligno/Onestep/Trollo/Nautilo is US1000009
- 🔧 1 drain cover, stainless steel
- 1 frame, stainless steel

wedi Fundo Drain Wrench




Description	Unit	Item #
Heavy Duty Drain Wrench	1 pc	US5000032

i Support tool used to tighten wedi Fundo Primo compression fit rubber gaskets

wedi Fundo Trollo | Designer Shower




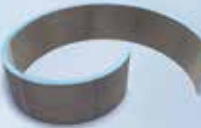
Description	Dimensions	Unit	Item #
wedi Fundo Trollo, wall element	Height: 79 3/8" (2010 mm)	1 pc	041709002
wedi Fundo Trollo, floor base	H × W: 1 1/2" × 44 7/8" (40 × 1140 mm)	1 pc	073736575




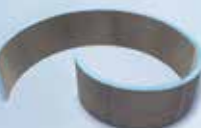
Options			
Extension collar	Height: 19 5/8" (500 mm)	1 pc	041709052
Glass swing door	Height: 78 1/4" (1990 mm)	1 pc	608001100
Glass sliding door	Height: 74 7/8" (1900 mm)	1 pc	608001200

- ! The glass door can only be mounted after tiling.
- Equipped with Drain Unit and Cover Set
Brushed Stainless Steel
- 🔧 1 floor base
- 2 wall segments type "A"
- 3 wall segments type "B"
- 4 splines
- 2 – 82 ft. self-adhesive joint reinforcement tape
- 3 wedi Joint Sealant
- i** No framing needed for this system
made of wedi 2" Building Panel.
- ft²** wedi Fundo Trollo, designer shower:
 - Inside wall: approx. 66 sq. ft.
 - Outside wall: approx. 75 sq. ft.
 - Floor: approx. 9 sq. ft.
- Extension collar:
 - Inside wall: approx. 18 sq. ft.
 - Outside wall: approx. 20 sq. ft.


wedi Fundo Nautilo | Designer Shower Right Entry

	Description	Dimensions	Unit	Item #
	wedi Fundo Nautilo, wall element	Height: 79 3/8" (2010 mm)	1 pc	041708000
wedi Fundo Nautilo, floor base, right entry	W x L x H: 59 5/8" x 74 3/8" x 2" (1515 x 1890 x 50 mm)	1 pc	073736066	
Options				
	Extension collar	Height: 19 5/8" (500 mm)	1 pc	041708050
	<p>i No framing needed for this system made of wedi 2" Building Panel.</p>		<p>ft² wedi Fundo Nautilo, designer shower:</p> <ul style="list-style-type: none"> ▪ Inside wall: approx. 110 sq. ft. ▪ Outside wall: approx. 124 sq. ft. ▪ Floor: approx. 18 sq. ft. <p>Extension collar:</p> <ul style="list-style-type: none"> ▪ Inside wall: approx. 24 sq. ft. ▪ Outside wall: approx. 27 sq. ft. 	

wedi Fundo Nautilo | Designer Shower Left Entry

	Description	Dimensions	Unit	Item #
	wedi Fundo Nautilo, wall element	Height: 79 3/8" (2010 mm)	1 pc	041708000
wedi Fundo Nautilo, floor base, left entry	W x L x H: 59 5/8" x 74 3/8" x 2" (1515 x 1890 x 50 mm)	1 pc	073736065	
Options				
	Extension collar	Height: 19 5/8" (500 mm)	1 pc	041708050
	<p>i No framing needed for this system made of wedi 2" Building Panel.</p>		<p>ft² wedi Fundo Nautilo, designer shower:</p> <ul style="list-style-type: none"> ▪ Inside wall: approx. 110 sq. ft. ▪ Outside wall: approx. 124 sq. ft. ▪ Floor: approx. 18 sq. ft. <p>Extension collar:</p> <ul style="list-style-type: none"> ▪ Inside wall: approx. 24 sq. ft. ▪ Outside wall: approx. 27 sq. ft. 	

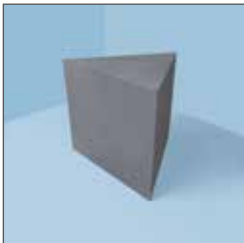
wedi Shower Seat M&L



Description	Width × Length × Height	Unit	Item #
wedi Seat M, Suspended Seat	17" × 17" (wall sides) × 4" (432 × 432 × 100 mm)	1 pc	US3000001
wedi Seat L, Suspended Seat	24" × 24" (wall sides) × 4" (610 × 610 × 100 mm)	1 pc	US3000002

i ▪ wedi Joint Sealant is included for adhesion
▪ wedi Fiberglass Mesh Tape is included for the wall/floor connection


wedi Shower Bench & Seat | Full Foam Triangular Seats



Description	Width × Length × Height	Unit	Item #
wedi Full Foam Corner Seat	23" × 23" (wall sides) × 20" sloped (584 × 584 × 508 mm)	1 pc	073784101

! Full foam corner seat made of solid XPS foam. These units are pre-made and ready for thinset installation against walls and feature a 1/8" slope to the front.


wedi Sanoasa Shower Bench 1



Description	Length × Depth × Height	Unit	Item #
wedi Sanoasa Shower Bench 1 M	approximately 35 3/8" × 17 7/8" × 15" (900 × 454 × 380 mm)	1 pc	076447030
wedi Sanoasa Shower Bench 1 L	approximately 47 1/4" × 17 7/8" × 15" (1200 × 454 × 380 mm)	1 pc	076447031

! ▪ The bench is delivered in four parts: Bench element, substructure element and 2 side elements
▪ wedi Joint Sealant is included for adhesion
▪ wedi Fiberglass Mesh Tape is included for the wall/floor connection


wedi Sanoasa Shower Bench 2



Description	Length × Depth × Height	Unit	Item #
wedi Sanoasa Shower Bench 2 M	approximately 35 3/8" × 17 7/8" × 15" (900 × 454 × 380 mm)	1 pc	076447032
wedi Sanoasa Shower Bench 2 L	approximately 47 1/4" × 17 7/8" × 15" (1200 × 454 × 380 mm)	1 pc	076447033

! ▪ The bench is delivered in four parts: Bench element, substructure element and 2 side elements
▪ wedi Joint Sealant is included for adhesion
▪ wedi Fiberglass Mesh Tape is included for the wall/floor connection

wedi Sanoasa Shower Bench 3




Description	Length × Depth × Height	Unit	Item #
wedi Sanoasa Shower Bench 3 M	approximately 35 3/8" × 17 7/8" × 15" (900 × 454 × 380 mm)	1 pc	076447034
wedi Sanoasa Shower Bench 3 L	approximately 47 1/4" × 17 7/8" × 15" (1200 × 454 × 380 mm)	1 pc	076447035

! The bench is delivered in four parts: Bench element, substructure element and 2 side elements

- wedi Joint Sealant is included for adhesion
- wedi Fiberglass Mesh Tape is included for the wall/floor connection

wedi Sanoasa Shower Bench 4

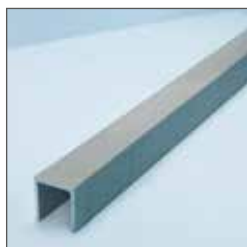


Description	Length × Depth × Height	Unit	Item #
wedi Sanoasa Shower Bench 4, straight	47 1/4" × 15" × 3 1/8" (1200 × 380 × 80 mm)	1 pc	US3000000

i wedi Joint Sealant is included for adhesion

- wedi Fiberglass Mesh Tape is included for the wall/floor connection

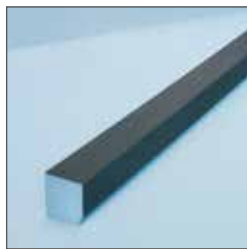
wedi Curb Over



Description	Width × Length × Height	Unit	Item #
wedi Curb Over (Square Edges)	4 1/2" × 5' × 5" (114 × 1524 × 127 mm)	1 pc	US3000008
wedi Curb Over (Square Edges)	4 1/2" × 8' × 5" (114 × 2500 × 127 mm)	1 pc	US3000010

! Installation over 2" × 4" construction. CAUTION: Do not allow Glass Door Assembly to penetrate Curb Over.

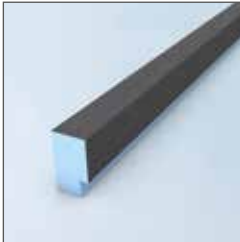
wedi Full Foam Curb



Description	Width × Length × Height	Unit	Item #
wedi Curb Full Foam (Square Edges)	4 1/2" × 5' × 5" (114 × 1524 × 127 mm)	1 pc	074319002
wedi Curb Full Foam (Square Edges) Master Pack	4 1/2" × 5' × 5" (114 × 1524 × 127 mm)	6 pc	US3000030
wedi Curb Full Foam (Square Edges)	4 1/2" × 8' × 5" (114 × 2500 × 127 mm)	1 pc	074319001
wedi Curb Full Foam (Square Edges)	4 1/2" × 3' × 5" (114 × 914 × 127 mm)	1 pc	074319009

! Sloped on top surface

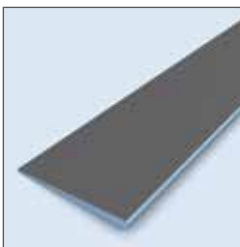
wedi Curb Full Foam "LEAN"



Description	Width × Length × Height	Unit	Item #
wedi Curb Full Foam "LEAN" (Square Edges)	2" × 5' × 3 1/2" (51 × 1524 × 89 mm)	1 pc	074319007
wedi Curb Full Foam "LEAN" (Square Edges) Master Pack	2" × 5' × 3 1/2" (51 × 1524 × 89 mm)	6 pc	US3000031
wedi Curb Full Foam "LEAN" (Square Edges)	2" × 8' × 3 1/2" (51 × 2438 × 89 mm)	1 pc	074319008

! Sloped on top surface



wedi Shower Ramp



Description	Width × Length × Height	Unit	Item #
wedi Shower Ramp *	16" × 5', sloped 1 1/2" to 1/4" (406.4 × 1524 mm, sloped 38.1 to 6.35 mm)	1 pc	073736517

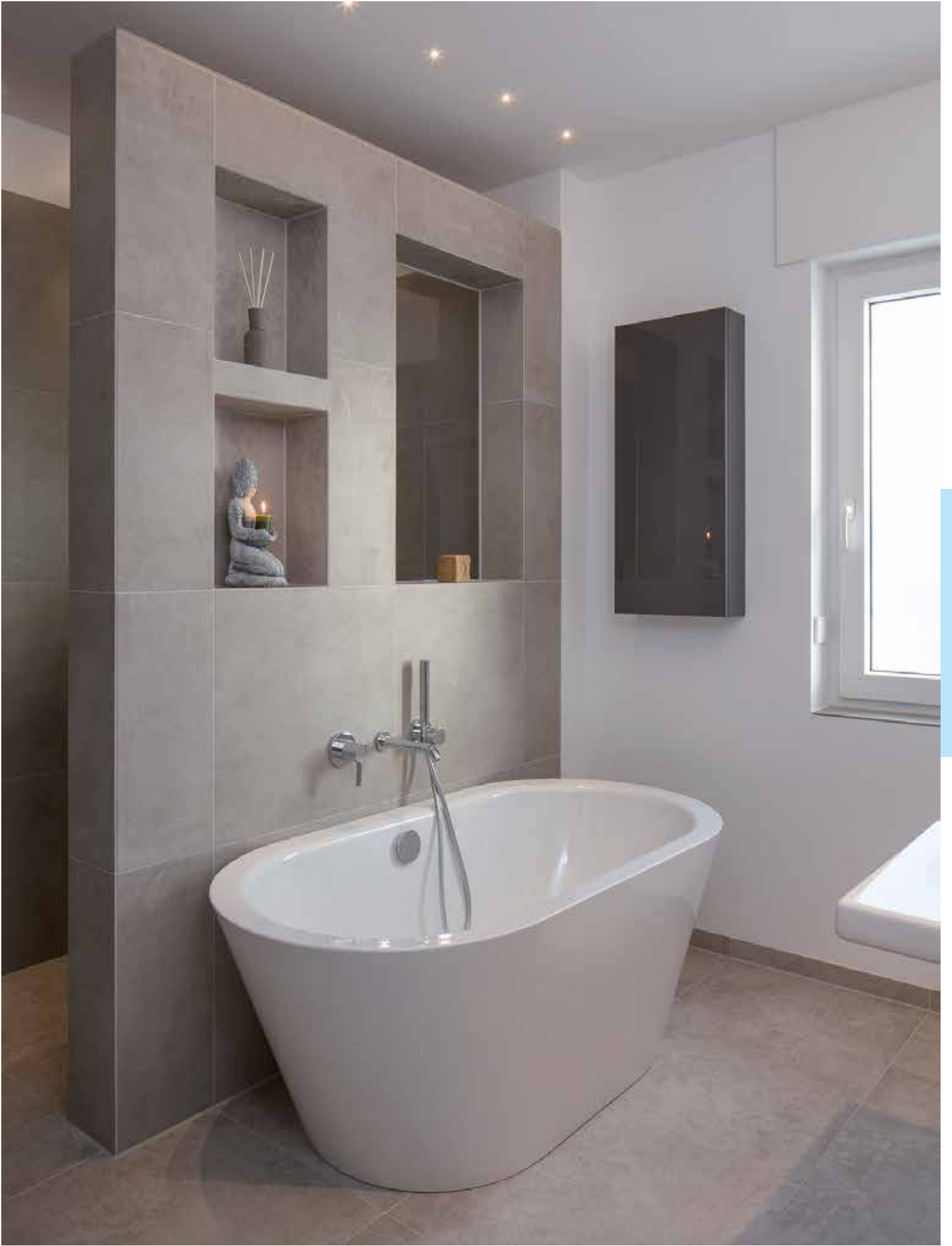
! * ADA compliant

wedi Niche | Square Edges

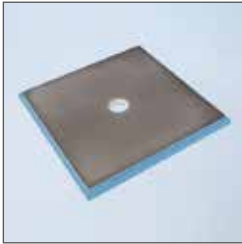



Description	Outside dimensions	Unit	Item #
wedi Niche Square Edges	16" × 8" (406 × 203 mm)	1 pc	US3000003
wedi Niche Square Edges	16" × 12" (406 × 305 mm)	1 pc	US3000004
wedi Niche Square Edges	16" × 16" (406 × 406 mm)	1 pc	US3000005
wedi Niche Square Edges	16" × 22" (406 × 559 mm) incl. removable shelf	1 pc	US3000007
wedi Lean Combo Niche	16" × 42" (406 × 1067 mm) incl. 2 removable shelves	1 pc	US3000024
wedi Cathedral Niche	16" × 30" (406 × 762 mm) incl. removable shelf	1 pc	US3000016

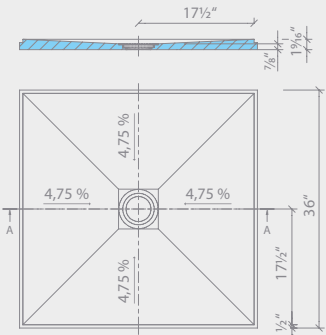
! ▪ Installation over 2" × 4"’s construction, 16" o.c. framework
▪ Dimensions are outside dimensions



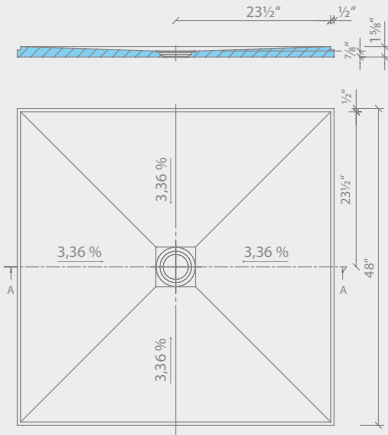
wedi Fundo Primo | Square and Rectangular Shower Bases



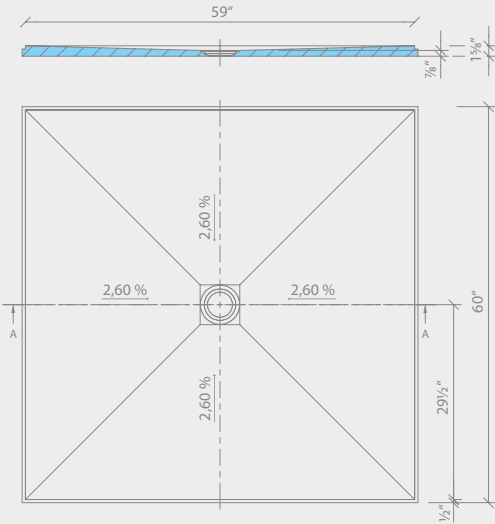
wedi Fundo Primo, square, 36" x 36" incl. drain



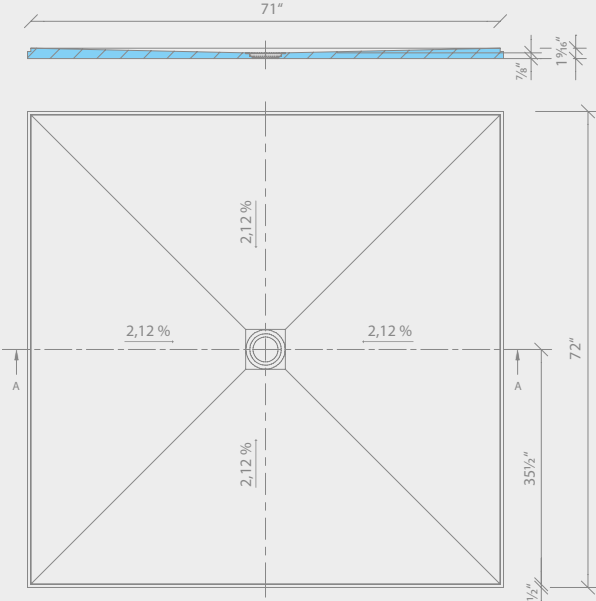
wedi Fundo Primo, square, 48" x 48" incl. drain



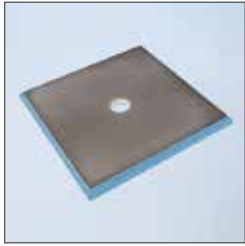
wedi Fundo Primo, square, 60" x 60" incl. drain



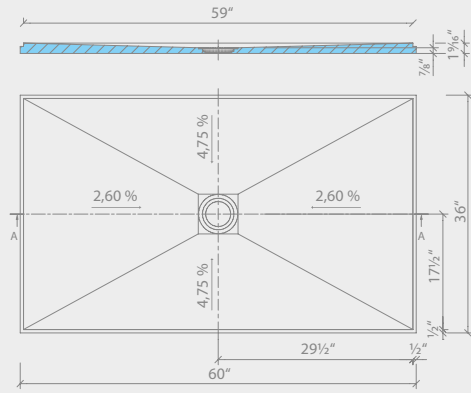
wedi Fundo Primo, square, 72" x 72" incl. drain



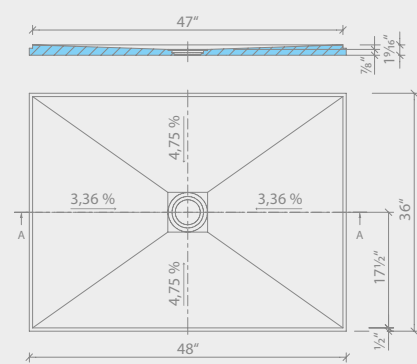
wedi Fundo Primo | Square and Rectangular Shower Bases



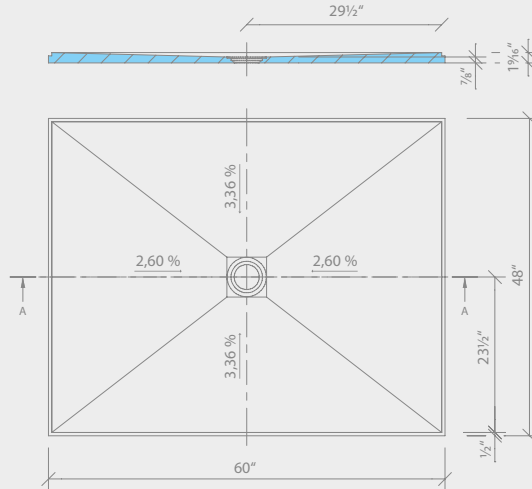
wedi Fundo Primo, rectangular, 36" x 60" incl. drain



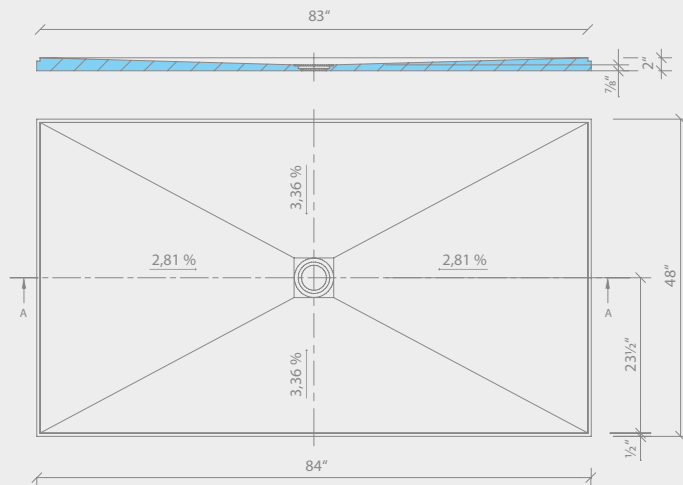
wedi Fundo Primo, rectangular, 36" x 48" incl. drain



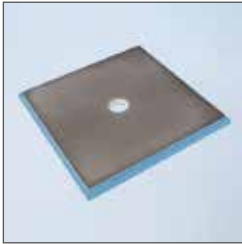
wedi Fundo Primo, rectangular, 48" x 60" incl. drain



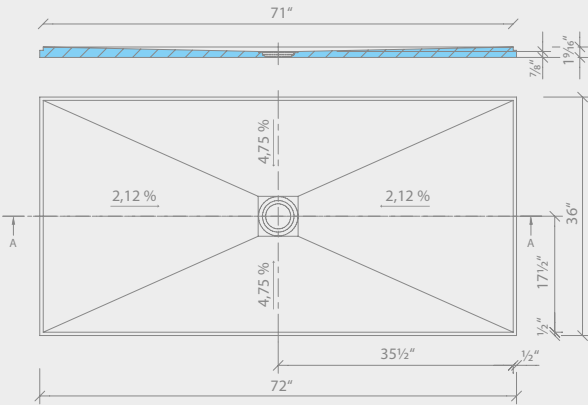
wedi Fundo Primo, rectangular, 48" x 84" incl. drain



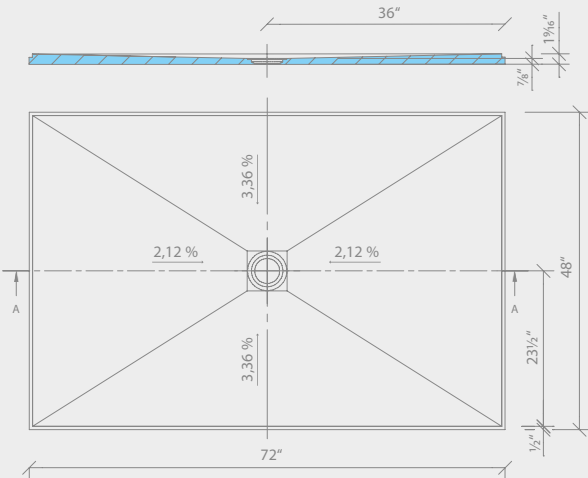
wedi Fundo Primo | Square and Rectangular Shower Bases



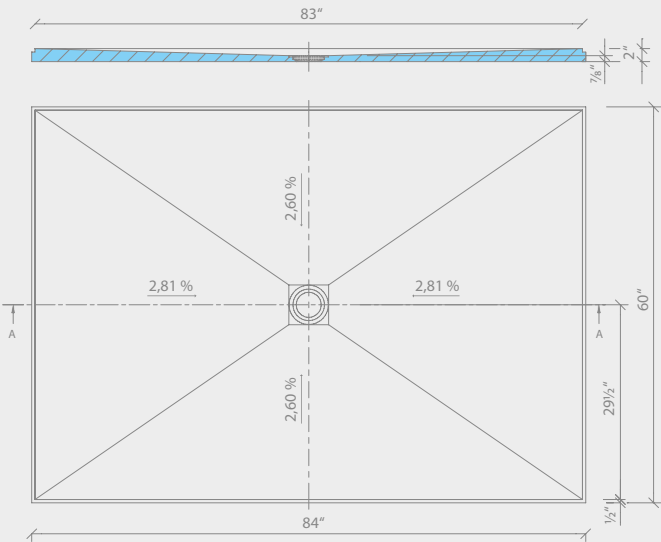
wedi Fundo Primo, rectangular, 36" x 72" incl. drain



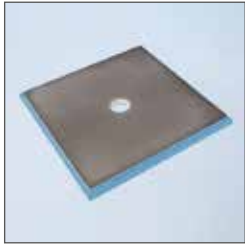
wedi Fundo Primo, rectangular, 48" x 72" incl. drain



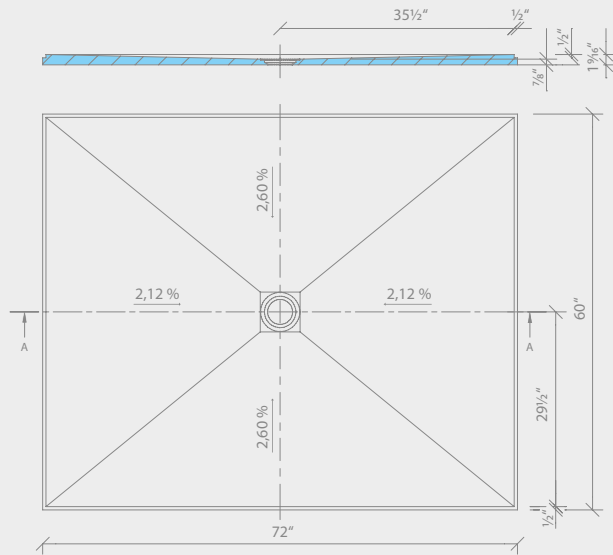
wedi Fundo Primo, rectangular, 60" x 84" incl. drain



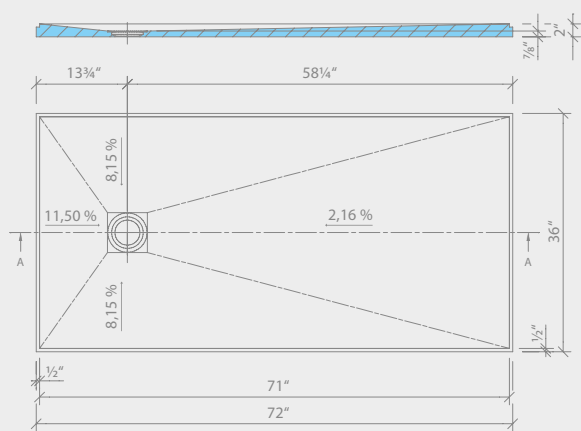
wedi Fundo Primo | Square and Rectangular Shower Bases



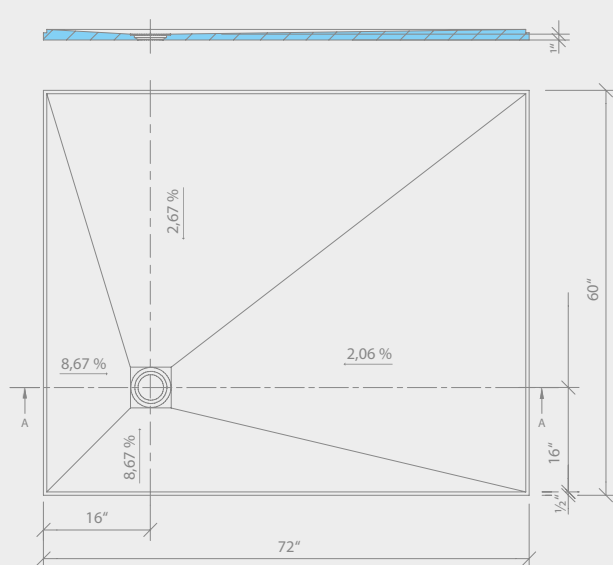
wedi Fundo Primo, rectangular, 60" x 72" incl. drain



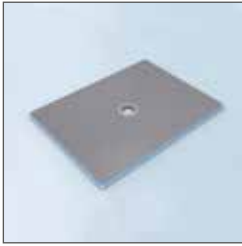
wedi Fundo Primo, rectangular, 36" x 72" incl. drain



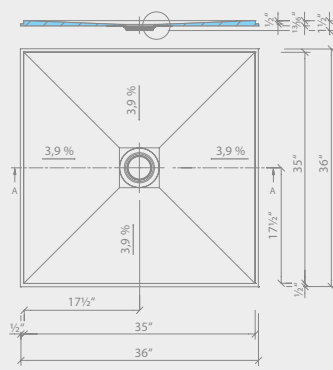
wedi Fundo Primo, rectangular, 60" x 72" incl. drain



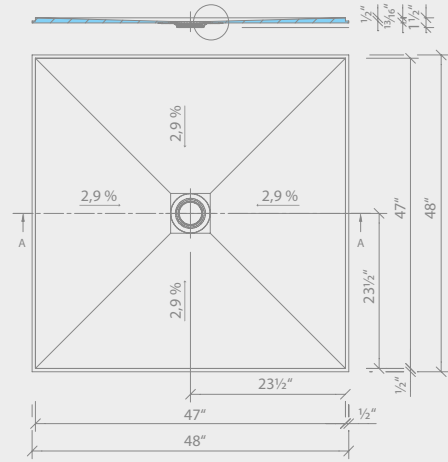
wedi Fundo Ligno | Square and Rectangular Shower Bases, Center Drain



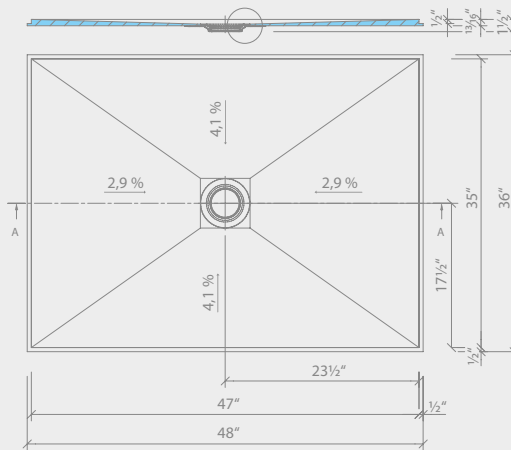
wedi Fundo Ligno, square,
36" x 36" x 3/4"



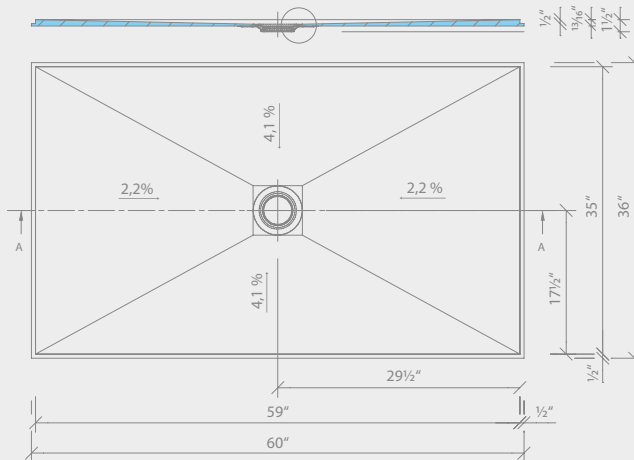
wedi Fundo Ligno, square,
48" x 48" x 3/4"



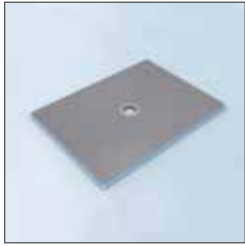
wedi Fundo Ligno, rectangular,
36" x 48" x 3/4"



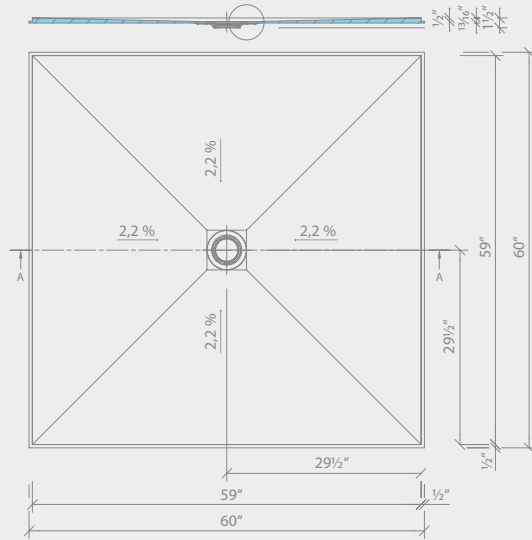
wedi Fundo Ligno, rectangular,
36" x 60" x 3/4"



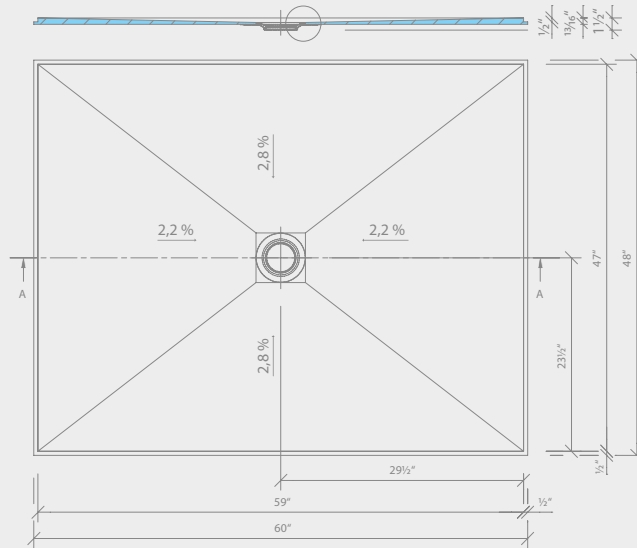
wedi Fundo Ligno | Square and Rectangular Shower Bases, Center Drain



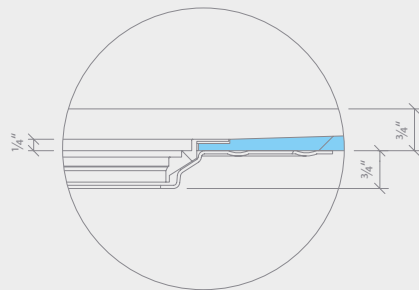
wedi Fundo Ligno, square,
60" x 60" x 3/4"



wedi Fundo Ligno, rectangular,
48" x 60" x 3/4"



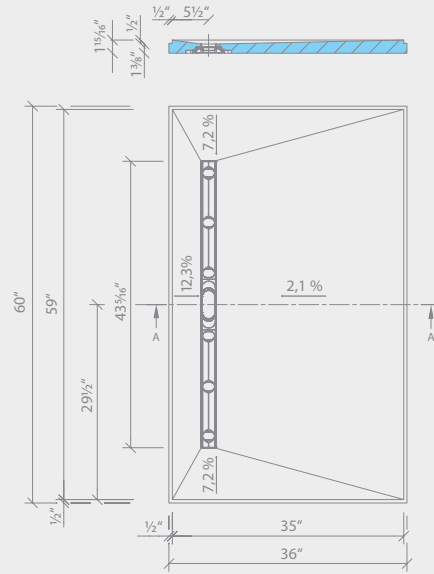
Detailed view of drain



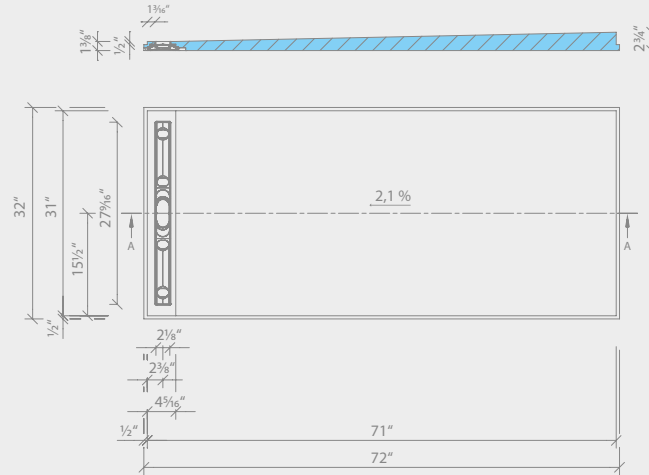
wedi Fundo Riolito neo | Shower Base, with Integrated Channel Drain



wedi Fundo Riolito neo, floor base, with channel drain
36" x 60" x 1 15/16"



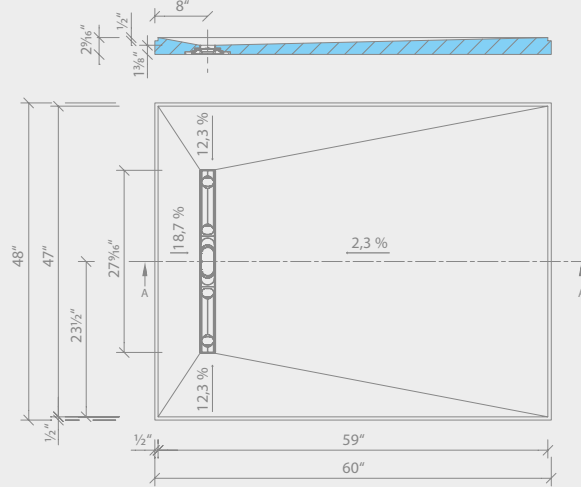
wedi Fundo Riolito neo, floor base, with channel drain
32" x 72" x (2 3/4" - 1 3/8")



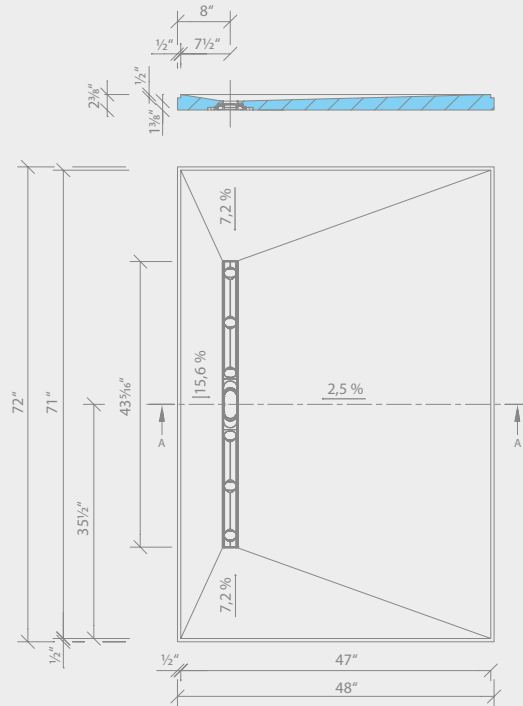
wedi Fundo Riolito neo | Shower Base, with Integrated Channel Drain



wedi Fundo Riolito neo, floor base, with channel drain
48" x 60" x 2 9/16"



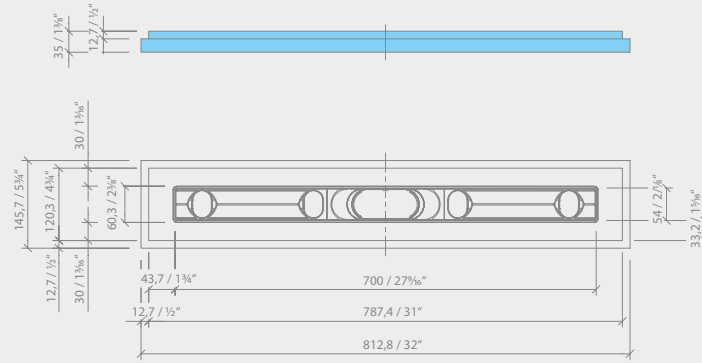
wedi Fundo Riolito neo, floor base, with channel drain
48" x 72" x 2 3/8"



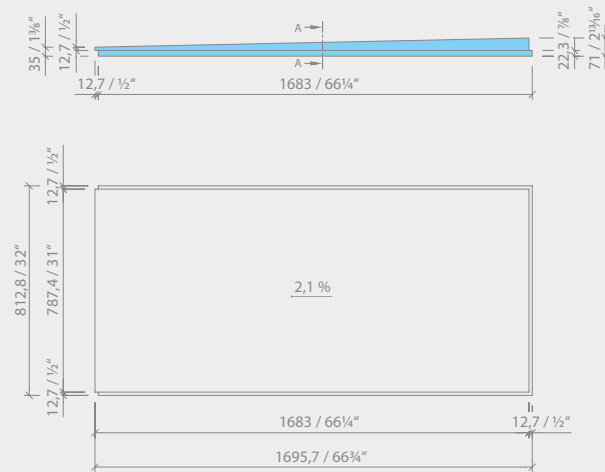
wedi Fundo Riolito neo Modular | Shower Base, with Integrated Channel Drain



wedi Fundo Riolito neo Modular, line module
32" x 5 3/4"



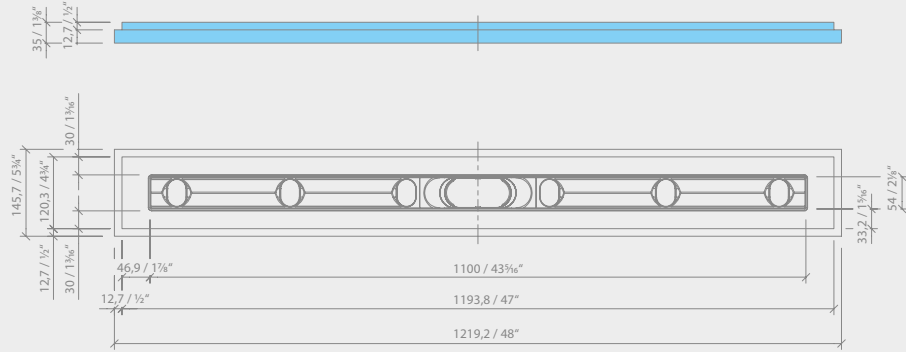
wedi Fundo Riolito neo Modular, extension module
32" x 66 3/4"



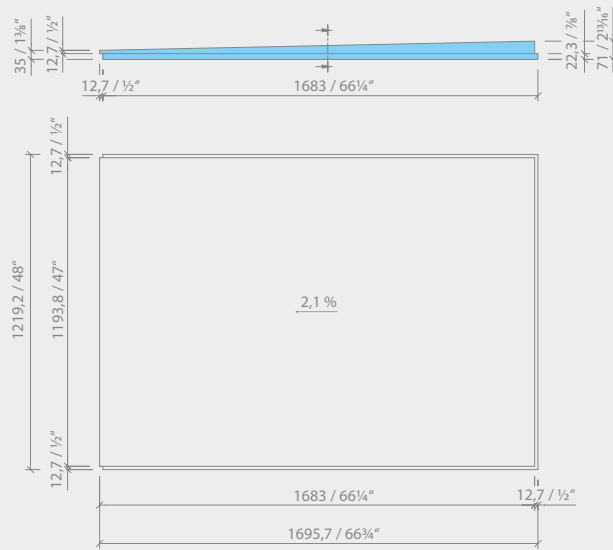
wedi Fundo Riolito neo Modular | Shower Base, with Integrated Channel Drain



wedi Fundo Riolito neo Modular, line module
48" x 5 3/4"



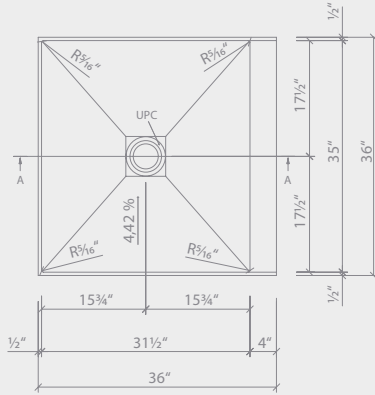
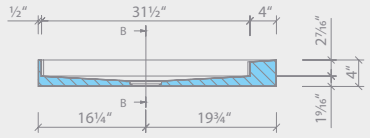
wedi Fundo Riolito neo Modular, extension module
48" x 66 3/4"



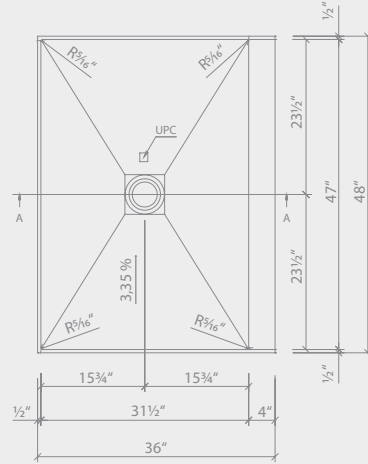
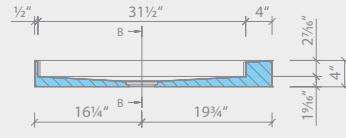
wedi OneStep Shower System



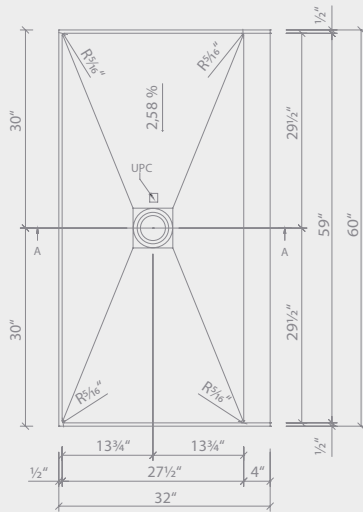
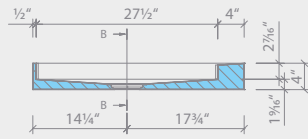
wedi OneStep Shower Base, center drain
36" x 36" x 4"



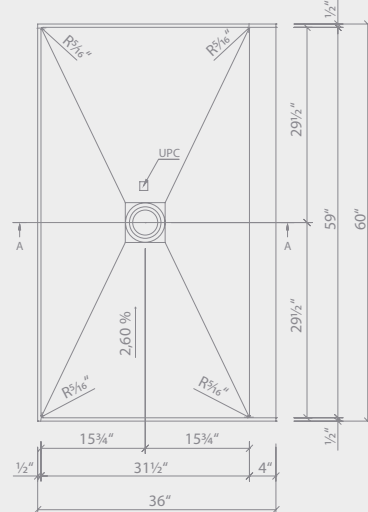
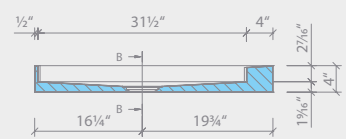
wedi OneStep Shower Base, center drain
36" x 48" x 4"



wedi OneStep Shower Base, center drain
32" x 60" x 4"



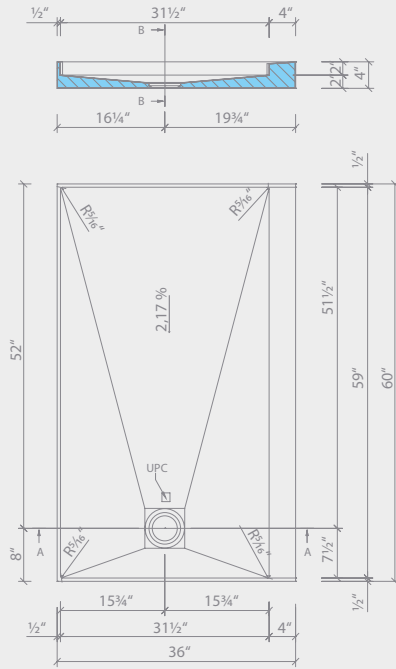
wedi OneStep Shower Base, center drain
36" x 60" x 4"



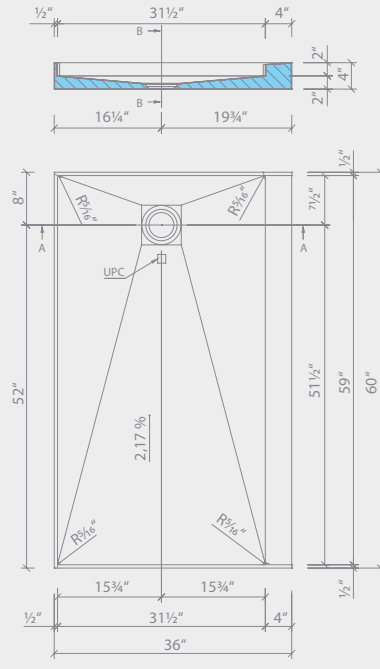
wedi OneStep Shower System



wedi OneStep Shower/Tub Replacement Base, left drain, 36" x 60" x 4"



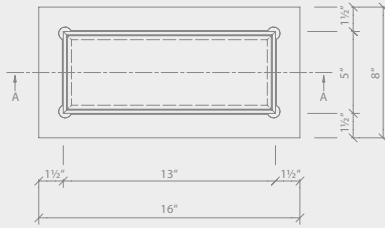
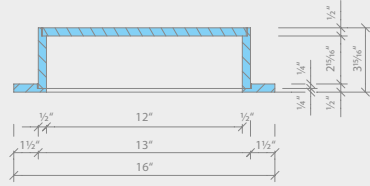
wedi OneStep Shower/Tub Replacement Base, right drain, 36" x 60" x 4"



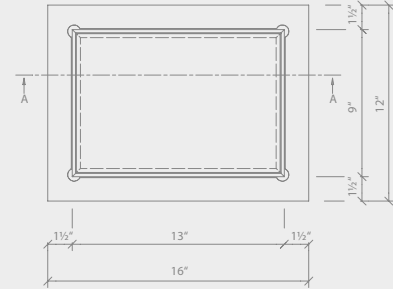
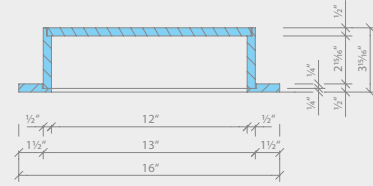
wedi Niche | Square Edges



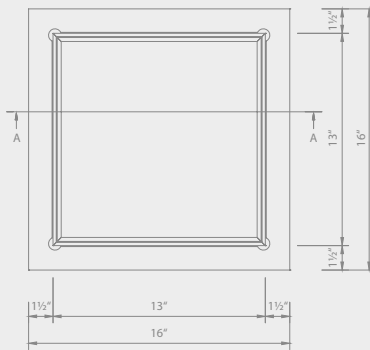
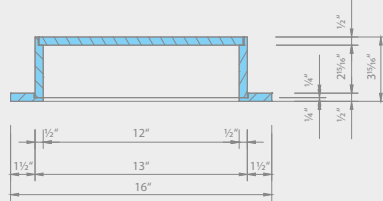
wedi Niche Square Edges
16" x 8"



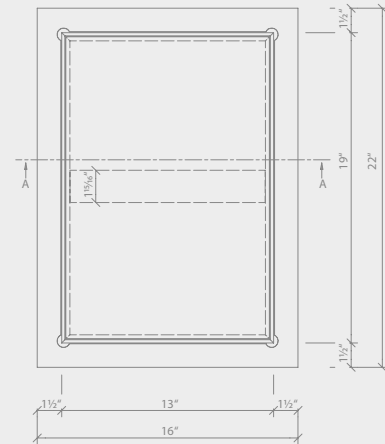
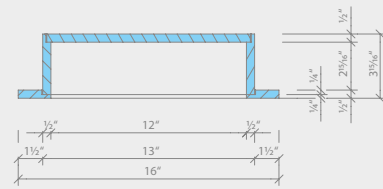
wedi Niche Square Edges
16" x 12"



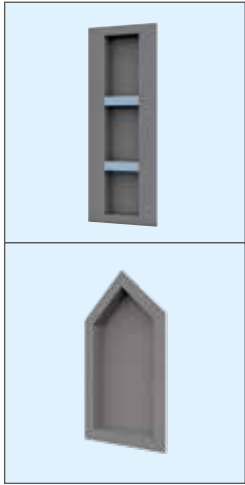
wedi Niche Square Edges
16" x 16"



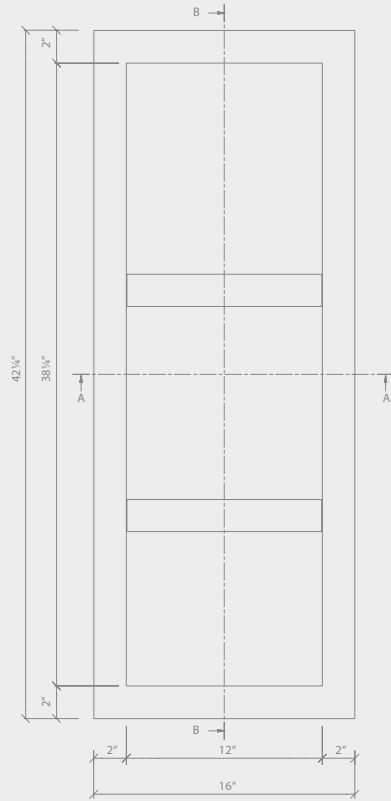
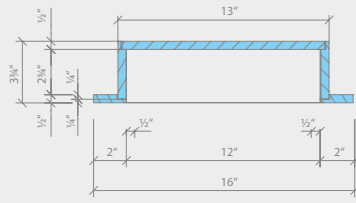
wedi Niche Square Edges
16" x 22"



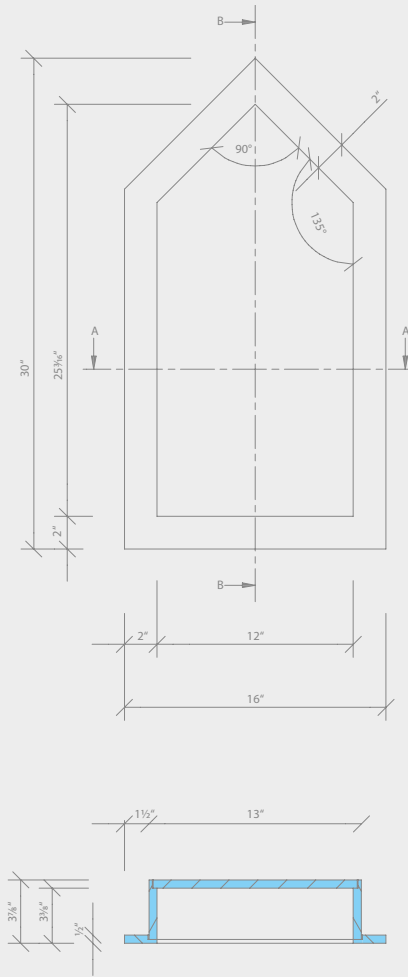
wedi Niche | Square Edges



wedi Lean Combo Niche
16" x 42"



wedi Cathedral Niche
16" x 30"





wedi Special Underlayment Systems and Installation Tools

wedi specialty products for special applications

On construction sites there are always special situations and applications or sudden changes in designs or planning. To service best, wedi designed several product systems which can often help with the installation of the traditional wedi Building Panel, Shower Systems or be used over or with alternative construction substrates, such as screeds, mortar, cement- and finer cement boards.

They may help to address special situations when being integrated into wedi's foam based product systems. Or they can be used in areas close to wedi's scope of work and trade and are offered to build entire installations using product and warranty coverage out of one hand- sealed and signed by wedi.

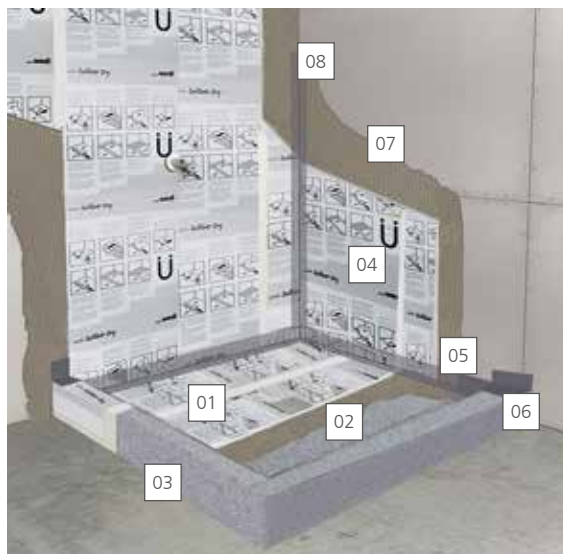


wedi Subliner Dry System

The wedi products within the group of Subliner Dry Systems offer specific benefits in installations and applications complementing our traditional wedi Building Panel and Shower Systems. Subliner Systems are Sheet Membrane products, each designed to provide sound and thin profile underlayments for tile. Each of the system components provide water- and vapor proofing as needed over common cement or fiber cement backer boards or mortar beds or other comparable and suitable traditional structures for tiled applications in wet rooms. The Subliner Dry Sheet Waterproofing Membrane and its Subliner Accessories and components are sealed and connected with 2" (50.8 mm) wide membrane overlaps. In between, wedi Sealant 620, a specialty sealant, is used to water- and even vapor proof these connections.

wedi Subliner Dry

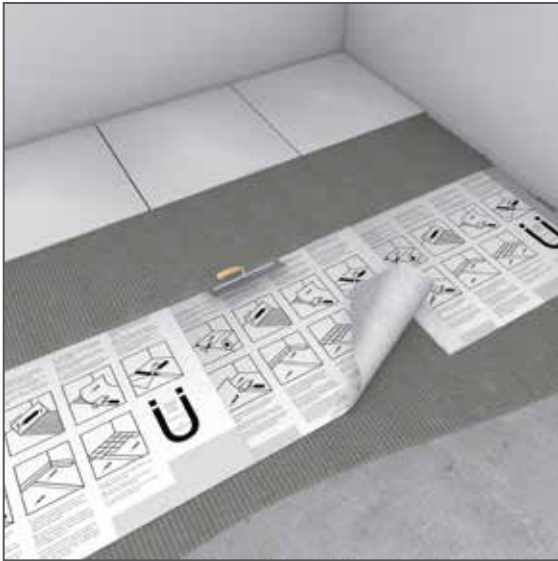
The wedi Subliner Dry System includes Subliner Dry Sheet Membrane, Sealing Tape, Prefabricated Outside and Inside Corner Tapes as well as various Sealing Collars to waterproof entire structures in especially shower and steam room construction. wedi Subliner Dry is well suited for sealing measures over preexisting wall or floor underlayment including drywall. Use Subliner Dry in combination with ceramic tiles, slabs, and natural cast tiles for indoor wall and floor areas. Especially strong performance in steam showers/rooms due to its unique Vapor Resistance rating of 0.09 WVTR/Perms as tested using ASTM E96, method E. The Subliner Dry is a strong membrane yet very pliable. Installation steps and measuring and cutting gridlines are printed on its surface for fast working. So that the product's performance properties also work out in a system application, the Subliner Dry System includes many accessories including also the wedi Sealant 620 to treat all seams in these installations and water- and vapor proof as a system.



Installation Over Mortar Bed Showers / On Walls and Shower Floor

- | | |
|---|----------------------------|
| 01 wedi Sealant 620 | 05 Inside Corner Seal |
| 02 Bonding Flange Drain | 06 Outside Corner Seal |
| 03 Mortar bed structure with curb | 07 Modified thinset mortar |
| 04 Subliner Dry membrane in modified thinset mortar attached to primed drywall construction | 08 Sealing Tape |

! wedi Sealant 620 is used to waterproof all overlaps and connections.



wedi Subliner Dry
Installation on Floors or other suitable,
non waterproof underlayments or
substrates



01 Lay out wedi Subliner Dry and cut to size using a knife or scissors.



02 Apply thinset mortar to the prepared subfloor using a 1/8 x 1/8" (3.2 x 3.2 mm) or 1/4 x 1/4" (6.4 x 6.4 mm) notch trowel.



03 Insert wedi Subliner Dry with the printed side facing upward and press on with a rubber roller or wooden float. Remove airpockets and other foreign particles from below the sheets.



04 The sheets must overlap 2" (50.8 mm) at joints/transitions. Leave these overlapping areas free of any thinset and use tape to keep them folded upward and/or clean. Once the thinset has cured, apply wedi Sealant 620 as a full bed onto the lower mat's seam connection area and press the top overlap flat into the wedi Sealant 620.



05 Spread flat all wedi Sealant 620 using a putty knife. Cross joints should be avoided.



06 In complete wet rooms, wedi recommends to flash Subliner Dry up the wall by 2" (50.8 mm) where it is still invisible behind baseboard tile or wood applications.



07 Start setting tile.



Premium brand wedi

wedi Building Panel Applications

wedi Shower System Solutions

Underlayment Systems & Installation Tools

wedi Wellness and Spa System Solutions

wedi Subliner Dry | Waterproofing Sheet Membrane



Description	Width × Roll Length	Unit	Item #
wedi Subliner Dry, waterproofing sheet membrane	39" × 16' (1 × 5 m)	1 roll	US5000001
wedi Subliner Dry, waterproofing sheet membrane	39" × 98' (1 × 30 m)	1 roll	US5000005

! Flexible waterproofing membrane for medium and high exposure wet areas – for interior walls/showers and steam showers.

wedi Sealant 620



Description	Contents	Unit	Item #
wedi Sealant 620	20 oz. (600 ml)	1 Sausage	US5000083

! Used to seal between overlapping Subliner Dry seams and to install and seal Subliner Dry sealing tape over seams.

wedi Accessories | Waterproof Sealing Tape, Fleece Laminated



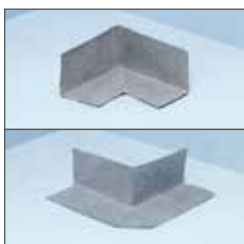
Description	Width × Roll Length	Unit/Box	Item #
Waterproof sealing tape, fleece laminated	5" × 32.8' (127 mm × 10 m)	1 roll	US5000002

wedi Accessories | wedi Tub Sealing Tape with Waterproof Butyl Connection Strip



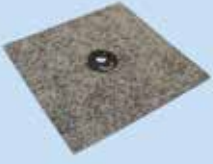
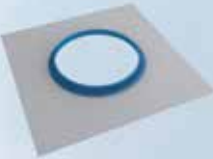
Description	Width × Roll Length	Unit/Box	Item #
wedi Tub Sealing Tape with Waterproof Butyl Connection Strip	4.72" × 11.8" (120 mm × 3.6 m)	1 roll	US5000084

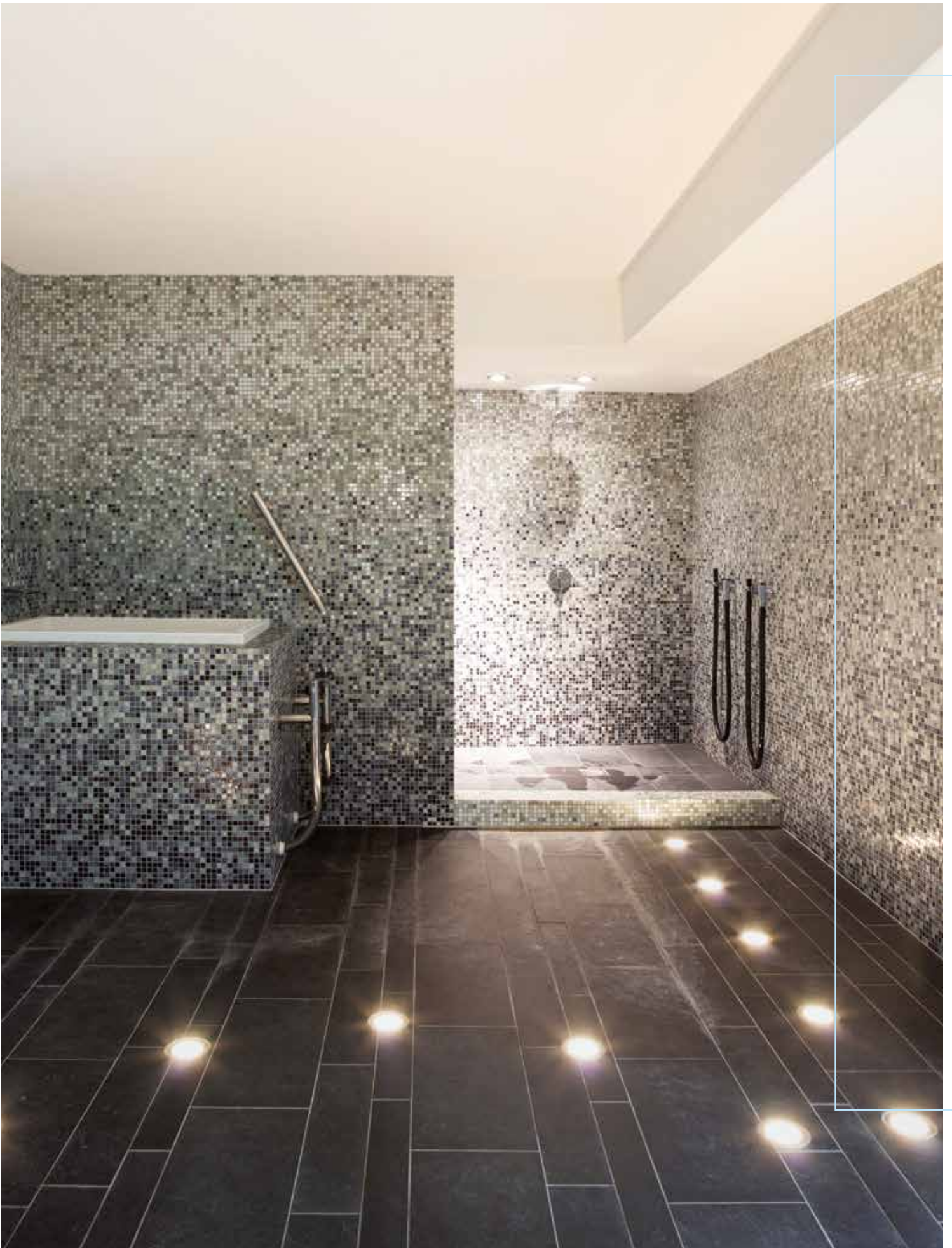
wedi Subliner Dry Accessories | Corner Sealing Tape, Fleece Laminated



Description	Dimensions	Unit	Item #
Waterproof inside corner sealing tape, fleece laminated	4 3/4" × 4 3/4" × 2 1/4" (120 × 120 × 57.15 mm)	2 pcs	US5000007
Waterproof outside corner sealing tape, fleece laminated	4 1/2" × 4 1/2" × 2 1/4" (115 × 115 × 57.15 mm)	2 pcs	US5000008

wedi Subliner Dry Sealing Collars

	Description	Dimensions	Unit	Item #
	Waterproof Sealing Collar for 1/2" to 3/4" plumbing pipes and protrusions	4 3/4" x 4 3/4" (120 x 120 mm)	1 pc	US5000033
	Valve Flexi Collar	Diameter 5" (127 mm)	1 pc	US5000000



wedi Wellness and Spa System Solutions

Prefabricated Solutions for Wellness & Spa Areas:

wedi takes rejuvenation and relaxation to a whole new level in the bath. Our unique and elegant wellness elements create an unforgettable spa experience. There is no limit to the design possibilities wedi offers for a customized and peaceful bath.

- Complete custom made, modular steam room, rooms incl. shower floor, walls, ceiling, glass door and stainless steel frame. Any design possible, and many more options available
- Modular benches, loungers and design elements
- 100 % waterproof and vapor retardant – wedi XPS foam. Add wedi Vapor Barrier in Steam Shower/Rooms.
- Insulating properties reduce vapor transmission pressure and save energy
- No need for framework support
- Broad variety of standard products and limitless custom fabrication possibilities
- Fast, clean and efficient installation through full prefabrication of modules
- Create your dream of a wellness oasis in any place

wedi Sanoasa benches

Sanoasa benches are available in so many different designs, meaning that they can be built into almost any seating combination. Whether we are talking about benches, corner constructions or clean end solutions, once individually tiled, they set the scene in all bathrooms and wellness areas.

- **Sanoasa Comoda Benches:** Available in many different designs so you can create any seating combination you can imagine. This bench comes in two main versions. The first version comes with a seat area featuring a slightly lowering seat area towards the back rest to enhance comfortable use. The second version features a slope on the seat area providing a 1 % slope and water run off to the front of the seat. This version is often used in steam rooms and showers, making sure that water will run off the seat area and towards a floor drain. This design system is offered with corner elements or base units with a curved finish.
- **Sanoasa Bellina Benches:** These backless benches are ideal for creating a seamless & flush transition to any wall. It features a slope on the seat area providing a 1 % slope and water run off to the front of the seat. It is often used in steam rooms and showers, making sure that water will run off the seat area and towards a floor drain. This design system is offered with corner elements or base units with a curved finish.



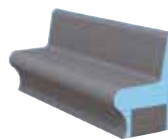
Comoda ▲



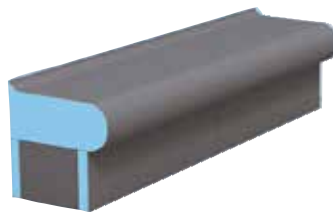
Bellina ▲



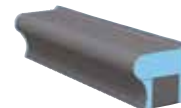
Comoda ▲



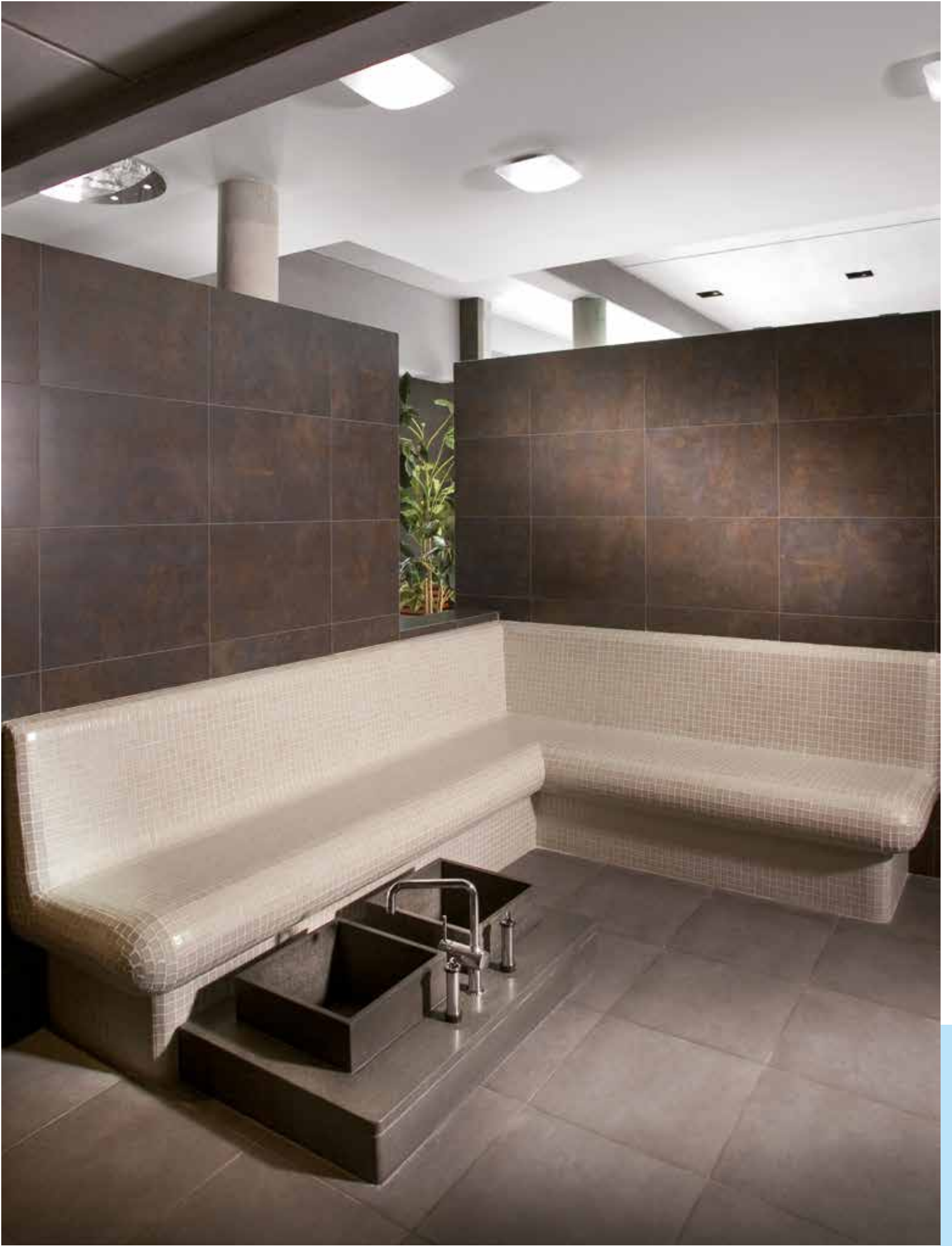
Comoda linea ▲



Bellina ▲



Bellina linea ▲



wedi Sanoasa loungers

The Sanoasa loungers stand out due to their original and unique shapes. They set individual accents in wellness areas in a variety of styles and designs and can be harmoniously integrated into the total room concept. Colours and formats can be combined to produce unique designs. Combined with an integrated heating system (hot water heating or electric heating) so that there is nothing to prevent total relaxation.

- **Sanoasa Lounger 1:** This model's long styling invites you to stretch out, relax and recharge. Its unique shape adds distinctive style to any bath.
- **Sanoasa Lounger 2:** Compact and comfortable – the pronounced design of the base offers diverse design options. Its optimal shape makes it the ideal wellness lounger for relaxed sitting.
- **Sanoasa Lounger 3:** Sleek, elegant and striking – this lounger makes a statement.
- **Sanoasa Lounger 4:** This lounger is simply stunning. The filigree design radiates serenity. Various components fuse together to produce a work of art.
- **Sanoasa Lounger 5:** Put your feet up, unwind and relax. This model boasts distinctive styling and features all the unique design elements within the Sanoasa series.



wedi Sanoasa Lounger 1



wedi Sanoasa Lounger 2



wedi Sanoasa Lounger 3



wedi Sanoasa Lounger 4



wedi Sanoasa Lounger 5

! Sanoasa Loungers are directly tileable. Tile in these pictures only shown for illustration purposes. Tile is not included in offering.





wedi Custom Wellness & Spa Design Solutions

Starting a new custom project, residential or commercial steam room? Do you need custom loungers? From idea to installation, you have our promise wedi will support you right from the start. The moment you contact us, our team springs into action. We generate custom CAD drawings based upon your ideas and plans. We produce custom products fabricated from impermeable extruded polystyrene foam material exclusively for steam showers and wetrooms. We test all the assemblies to ensure everything works flawlessly before we supply you with all the components, ready to install. We understand products are just part of the project. That's why we create and work in tandem with your lighting concepts, heating systems and preferred shower technologies.

wedi is at your side – in all areas, at all times.

- **Your idea** – As you envision your wellness concept, contact wedi and we can help bring your idea to life.
- **We plan together** – wedi provides integrated project planning to ensure all components, shower technologies, drains and supply pipes are incorporated into your vision and unified for proper performance.
- **Made-to-measure products** – With your approval, we produce solutions that fit your specifications and requirements perfectly. Then we assure the system measures up in terms of performance through to trial assemblies at our factory all prior to shipping.
- **On time delivery** – We deliver all prefabricated components on time and in their entirety, with complete step-by-step assembly instructions so you can take your idea and bring it to life!



Premium brand wedi

wedi Building Panel Applications

wedi Shower System Solutions

Underlayment Systems & Installation Tools

wedi Wellness and Spa System Solutions



Bryan Baeumler, Canadian HGTV show host and wedi Brand Ambassador

Did you know?

Great quality installation results depend on not only having great products to use – the Know-How and Experience in how to use them is key too. wedi trained and certified all Baeumler Quality Construction installers in my team and now they fully know and appreciate what they can achieve with wedi.

This educational service is offered to all professional contractors of all trades and wedi's local Technical Sales Support Managers come out on site and install with you when you do your first wedi shower installation. Your peace of mind – at no charge. Just a call away!

wedi is a proud member of:



Be sure to ask for:



Follow us on Twitter: @wediUSA
www.youtube.com/wedicorp
www.facebook.com/wedicorp

Certified wedi Installer

wedi-quality and performance certified by:



Serving USA, Canada, Australia & New Zealand



wedi Corporation

Tel. +1-847-357-9815

Fax. +1-847-357-9819

info@wedicorp.com

www.wedicorp.com



Your local wedi distributor:

